



GREEN ELECTRONICS



CUF

Terminal Blocks and Connectors for Printed Circuit Boards



ISO
9001



ISO
14001



BS OHSAS
18001:2007



Saurip®
ELECTRONIC CONNECTORS

Distributed by:



www.texim-europe.com

Functional characteristics



Dimensional class:
medium



Standard colour:
green



Dimensions:
18.4 x 15.5 mm (.724 x .610 in)



Max approved wire size:
solid: 2.5 mm² (CE); 12 AWG (UL)
stranded: 1.5 mm² (VDE); 12 AWG (UL)

Clamp Opening Size:
2.5 x 2.4 mm (.098 x .094 in)



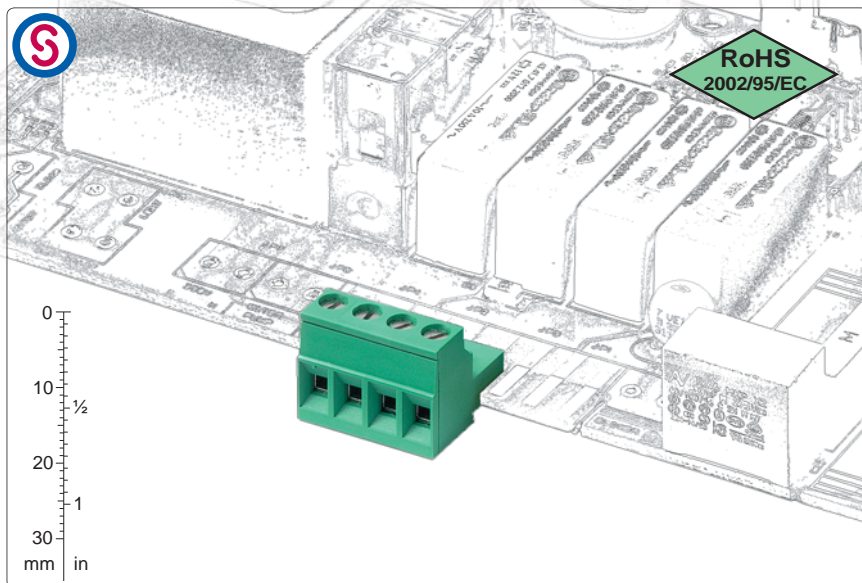
Versions:
side stackable,
polarized,



Single mould poles:
from 2 to 16



Pitches:
metric 5 mm, 10 mm
(.197 in, .394 in)



pitch 5 mm
from 2 to 25 poles
polarized



pitch 5 mm
from 2 to 25 poles
side stackable

Pat.



available accessories:
from 2 to 9 poles
BSC for rising clamp

Brief description

The CUF series of female connectors (Connector, U shape of the spring, Female) is directly connected to the board by means of a comb-shaped male connector built on the circuit board.

The side-closing walls in the insulating body both guide and polarize the connection on the PCB which must therefore be appropriately slotted.

The available versions, side-stackable and polarized, are characterized by a different entry length on the PCB and by the presence of hooks in the side-stackable version, guaranteeing a further anchorage system to the board cover and/or board.

The basic side-stackable connectors can be side-stacked to obtain any number of poles without losing the pitch. By taking advantage of this particular characteristic a minimum stock of basic connectors can be kept.

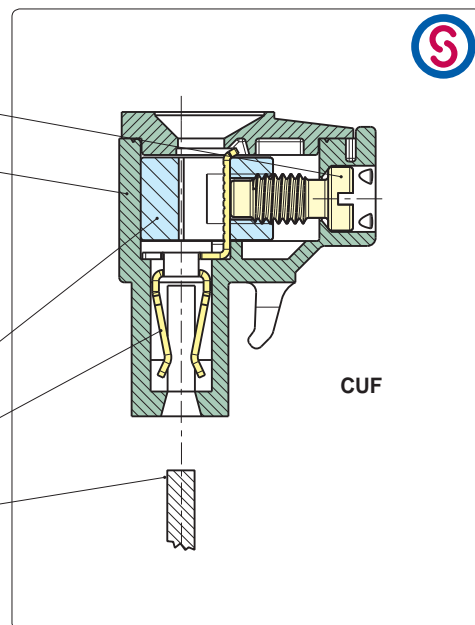
It is simple to manage the product, the warehouse and the assembly with the Kit packages because several versions can be received with only one code, the part-numbers are significantly reduced and the risk of making mistakes is also reduced.

Distributed by:



Characteristics of components

- M3 nickel plated copper alloy screw.
- PA 6.6 polyamide housing.
Standard colour: GREEN.
V0 self-extinguishing according to UL 94.
Chlorinated solvents resistant,
with no phosphor, dioxin or
detrimental to health halogens.
- Nickel-plated copper alloy rising clamp.
- Lead-free tin-plated copper alloy spring.
- Male edge header manufactured



Mechanical characteristics

Insertion force per pole	max 3 N (.674 lbf)
Withdrawal force per pole	min 5 N (1.123 lbf)
Recommended/highest tightening torque	0.5/0.6 Nm (4.42/5.30 lbf*in)
Stripping length	6 ÷ 7.5 mm (.24 ÷ .30 in)
Operating temperature range	-40 °C ÷ +110 °C (-40 °F ÷ +230 °F)
Climatic category	40/110/21 According to EN 60068-1

Electric characteristics*

Solid wire section	0.05 ÷ 2.5 mm ² (IEC EN)* 30÷12 AWG (UL)*
Stranded wire section	0.05 ÷ 1.5 mm ² (VDE)* 30÷12 AWG (UL)*
Rated voltage for 5 mm (.197 in) pitch	300 V (UL)*
Rated voltage for 10 mm (.394 in) pitch	750 V (VDE)*
Rated current	10 A (UL, VDE)*
Contact resistance	<15 mΩ
Insulation resistance	>10 ⁹ Ω (500V DC)

*All the a.m. data refer to the highest values amongst the certificated ones.
V voltage, I current values and tightening torque are related to the norms to be applied to the product and to its use.

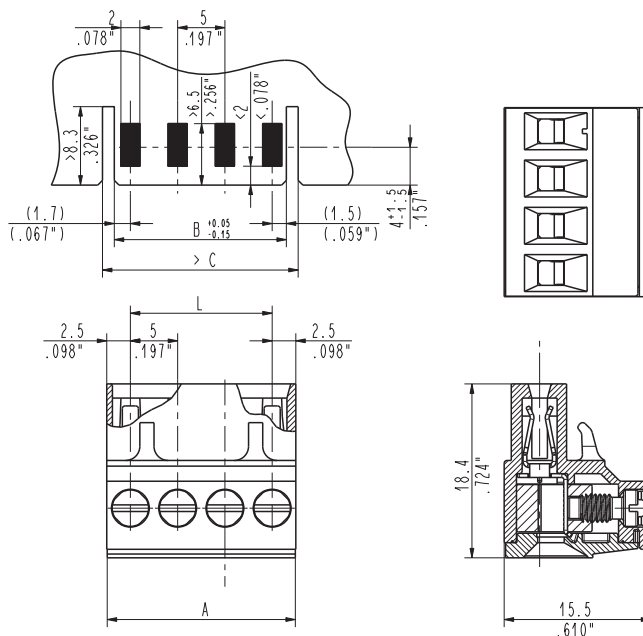
Approvals

IEC-EN	IEC:	250 V - T 110 - 10 A - 2.5 mm ² solid and 10 A - 1.5 mm ² stranded for 5 mm (.197 in)
	EN 61984	750 V - T 110 - 10 A - 2.5 mm ² solid and 10 A - 1.5 mm ² stranded for 10 mm (.394 in)
UL	UL:	300 V - 10 A - 30÷12 AWG - 7 lbf-in for 5 mm (.197 in) pitch
	File E167473	600 V - 10 A - 30÷12 AWG - 7 lbf-in for 10 mm (.394 in) pitch
		Application values for end-use equipment have to be in accordance to UL norms and applicable to it.
VDE	VDE:	for 5 mm (.197 in) pitch: 250 V - 10 A - T110 - 1.5 mm ² - 2,5kV - 2
	File n. 40017856	for 10 mm (.394 in) pitch: 750 V - 10 A - T110 - 1.5 mm ² - 6kV - 2

Distributed by:



www.texim-europe.com



board thickness: 1.6mm
L = pitch x (poles - 1)

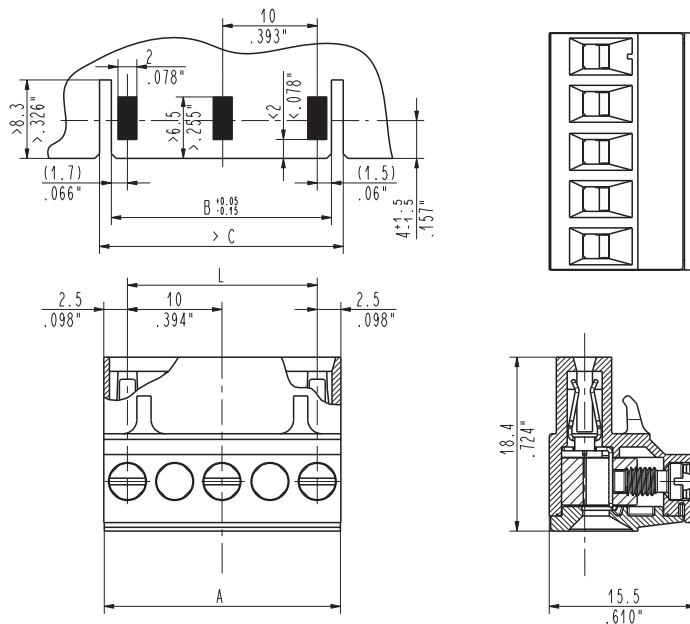
CUF_001 board edge connector, side stackable female

5 mm / .197" pitch

Poles	Code	Pcs/pack.	W [kg]*	Pcs/Ind.**	W [kg]*
02	CUF02001	500	1,63	1500	4,89
03	CUF03001	400	1,96	1000	4,89
04	CUF04001	300	1,96	750	4,89
05	CUF05001	250	2,04	750	6,11
06	CUF06001	200	1,96	500	4,89
07	CUF07001	175	2,00	500	5,71
08	CUF08001	150	1,96	500	6,52
09	CUF09001	125	1,83	250	3,67
10	CUF10001	100	1,63	250	4,08
11	CUF11001	100	1,79	250	4,48
12	CUF12001	75	1,47	250	4,89
13	CUF13001	75	1,59	125	2,65
14	CUF14001	75	1,71	125	2,85
15	CUF15001	75	1,83	125	3,06
16	CUF16001	75	1,96	125	3,26

DIMENSIONS

Poles	A	B	C
02	10	8.2	10.7
03	15	13.2	15.7
04	20	18.2	20.7
05	25	23.2	25.7
06	30	28.2	30.7
07	35	33.2	35.7
08	40	38.2	40.7
09	45	43.2	45.7
10	50	48.2	50.7
11	55	53.2	55.7
12	60	58.2	60.7
13	65	63.2	65.7
14	70	68.2	70.7
15	75	73.2	75.7
16	80	78.2	80.7



board thickness: 1.6mm
L = pitch x (poles - 1)

CUF_002 board edge connector, side stackable female

10 mm / .394" pitch

Poles	Code	Pcs/pack.	W [kg]*	Pcs/Ind.**	W [kg]*
02	CUF02002	400	1,53	1000	3,82
03	CUF03002	250	1,43	500	2,87
04	CUF04002	175	1,34	500	3,82
05	CUF05002	125	1,16	250	2,39
06	CUF06002	100	1,15	250	2,87
07	CUF07002	75	1,00	125	1,67
08	CUF08002	75	1,15	125	1,91

DIMENSIONS

Poles	A	B	C
02	15	13.2	15.7
03	25	23.2	25.7
04	35	33.2	35.7
05	45	43.2	45.7
06	55	53.2	55.7
07	65	63.2	65.7
08	75	73.2	75.7

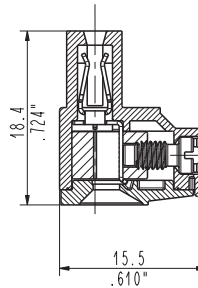
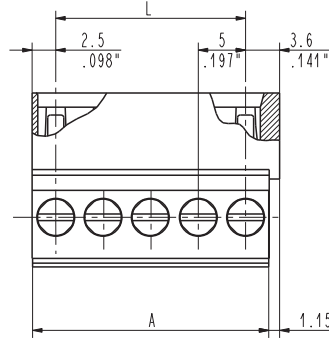
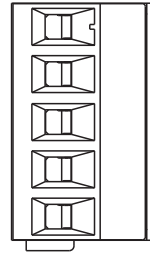
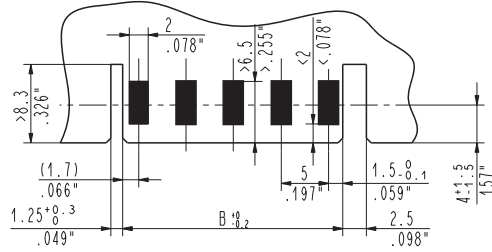
*W [kg]: approximate weight per box in kg

**Industrial packaging: add "-00000E" at standard code

Distributed by:



www.texim-europe.com



board thickness: 1.6mm
L = pitch x (poles - 1)

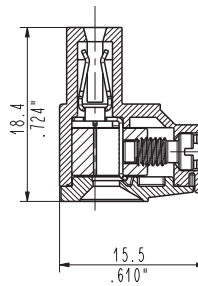
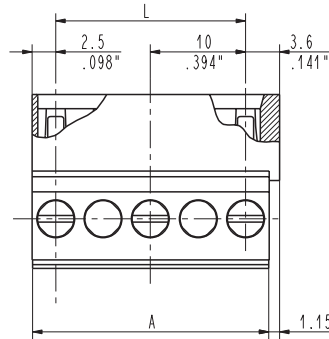
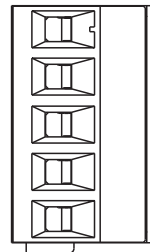
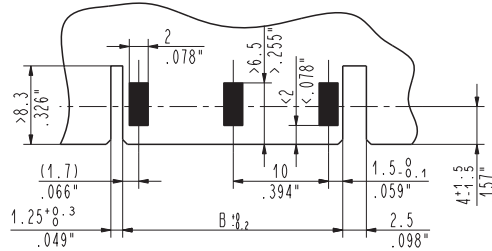
CUF_0P1 board edge connector, polarized female

5 mm / .197" pitch

Poles	Code	Pcs/pack.	W [kg]*	Pcs/Ind.**	W [kg]*
02	CUF020P1	500	1,65	1500	4,95
03	CUF030P1	400	1,97	1000	4,93
04	CUF040P1	300	1,97	750	4,92
05	CUF050P1	250	2,05	750	6,14
06	CUF060P1	200	1,96	500	4,91
07	CUF070P1	175	2,00	500	5,73
08	CUF080P1	150	1,96	500	6,54
09	CUF090P1	125	1,84	250	3,68
10	CUF100P1	100	1,63	250	4,09
11	CUF110P1	100	1,80	250	4,49
12	CUF120P1	75	1,47	250	4,90
13	CUF130P1	75	1,59	125	2,65
14	CUF140P1	75	1,71	125	2,86
15	CUF150P1	75	1,84	125	3,06
16	CUF160P1	75	1,96	125	3,27

DIMENSIONS

Poles	A	B
02	10	8.2
03	15	13.2
04	20	18.2
05	25	23.2
06	30	28.2
07	35	33.2
08	40	38.2
09	45	43.2
10	50	48.2
11	55	53.2
12	60	58.2
13	65	63.2
14	70	68.2
15	75	73.2
16	80	78.2



board thickness: 1.6mm
L = pitch x (poles - 1)

CUF_0P2 board edge connector, polarized female

10 mm / .394" pitch

Poles	Code	Pcs/pack.	W [kg]*	Pcs/Ind.**	W [kg]*
02	CUF020P2	400	1,54	1000	3,86
03	CUF030P2	250	1,44	500	2,89
04	CUF040P2	175	1,34	500	3,84
05	CUF050P2	125	1,20	250	2,40
06	CUF060P2	100	1,15	250	2,88
07	CUF070P2	75	1,01	125	1,68
08	CUF080P2	75	1,15	125	1,92

DIMENSIONS

Poles	A	B
02	15	13.2
03	25	23.2
04	35	33.2
05	45	43.2
06	55	53.2
07	65	63.2
08	75	73.2

TEXIM EUROPE

Partner in Electronic Components & Supply Chain Solutions



The Netherlands

Elektrostraat 17
NL-7483 PG Haaksbergen
Tel: +31 (0)53 573 33 33
Fax: +31 (0)53 573 33 30
nl@texim-europe.com



Denmark

Nørregade 15
DK-9240 Nibe
Tel: +45 88 20 26 30
Fax: +45 88 20 26 39
nordic@texim-europe.com



Belgium

Gentsesteenweg 1154-C22
Chaussée de Gand 1154-C22
B-1082 Brussel / Bruxelles
Tel: +32 (0)2 462 01 00
Fax: +32 (0)2 462 01 25
belgium@texim-europe.com



United Kingdom

St. Mary's House, Church Lane
Carlton Le Moorland
Lincoln LN5 9HS
Tel: +44 (0)1522 789 555
Fax: +44 (0)845 299 22 26
uk@texim-europe.com



Germany

Justus-von-Liebig-Ring 7-9
D-25451 Quickborn
Tel: +49 (0)4106 627 07-0
Fax: +49 (0)4106 627 07-20
germany@texim-europe.com



Germany

Martin-Kollar-Strasse 9
D-81829 München
Tel: +49 (0)89 436 086-0
Fax: +49 (0)89 436 086-19
germany@texim-europe.com



Austria

Warwitzstrasse 9
A-5020 Salzburg
Tel: +43 (0)662 216026
Fax: +43 (0)662 216026-66
austria@texim-europe.com

Texim Europe B.V.

Elektrostraat 17
NL-7483 PG Haaksbergen
Tel: +31 (0)53 573 33 33
info@texim-europe.com
www.texim-europe.com

