



GREEN ELECTRONICS



MPS

Terminal Blocks and Connectors for Printed Circuit Boards



ISO
9001



ISO
14001



BS OHSAS
18001:2007



Saurip®
ELECTRONIC CONNECTORS

Distributed by:



www.texim-europe.com

Functional characteristics



Dimensional class:
high



Standard colour:
green



Height:
29.3 mm (11.54 in)



Max approved wire sections:
solid: 16 mm² (CE); 6 AWG (UL)
stranded: 10 mm² (CE); 6 AWG (UL)

Clamp opening size:
5.5 x 5.7 mm (2.16 x 2.24 in)



Versions:
side stackable
modular



mounting flanges



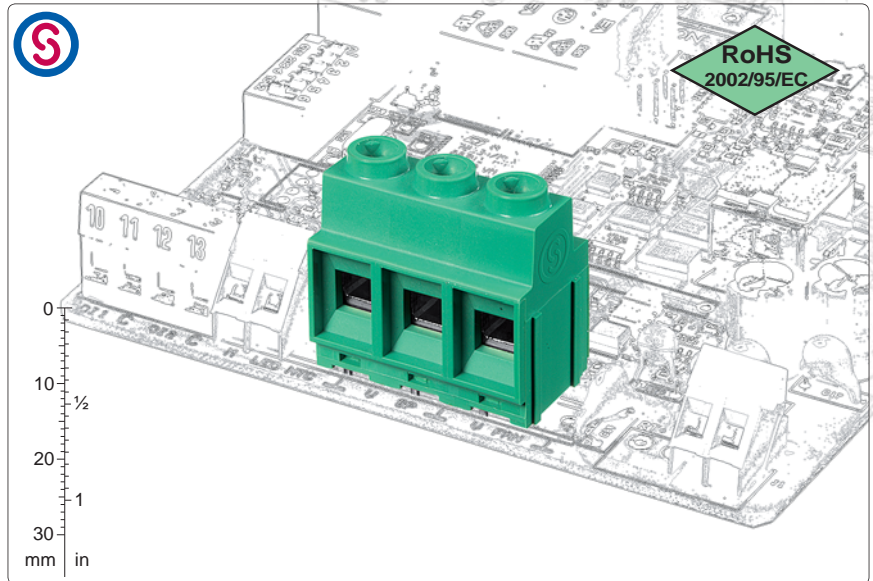
Single mould poles:
from 2 to 12



Pitches:
imperial 10.16 mm
(.400 in)



Solderable at a temperature up to
270°C / 518°F



Versions:
side stackable
modular



mounting flanges



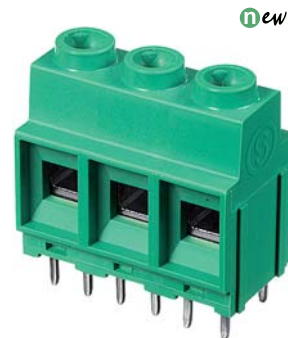
Single mould poles:
from 2 to 12



Pitches:
imperial 10.16 mm
(.400 in)



Solderable at a temperature up to
270°C / 518°F



S 270°C
pitch 10.16 mm
modular, straight, double pin



S 270°C
pitch 10.16 mm
modular, straight

Brief description

The **MPS** series of terminal blocks offers a **high connection capacity**; in fact it can wire up to **16 mm² (6 AWG)** and consequently a certified current range of **76A** can be reached.

The terminal block is available in 10.16mm (.400 in) imperial pitches in monolithic blocks from 2 to 12 poles in both side-stackable and modular versions or with a flange which fixes it to the PCB, with insertion of the wire parallel to the board and pegs to prevent an incorrect manual assembly.

The basic modular monolithic terminal blocks can be assembled to obtain any number of poles without losing the pitch; by taking advantage of this particular characteristic a minimum stock of basic terminal blocks can be kept.

It is simple to manage product, warehouse and assembly with **Kit packages** because several versions can be achieved with only one code, the part-numbers being significantly reduced and the risk of making mistakes is also reduced.

MPS with pegs

The straight MPS terminal block is also available with clamping pegs moulded into the plastic housing to secure it to the PCB. This solution allows the application of the nominal tightening torque and prevents an incorrect assembly of the terminal block. In this way, the most restrictive guidelines set by the international standards (VDE) are passed.

Characteristics of components

M4 nickel plated copper alloy screw.

Polyamide housing.

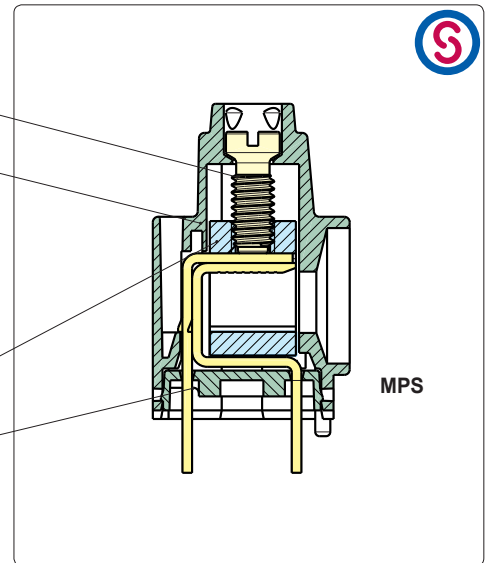
Standard colour: GREEN.

V0 self-extinguishing according to UL 94.

Chlorinated solvents resistant,
with no phosphor, dioxin or
detrimental to health halogens.

Nickel plated copper alloy clamp

Easy to solder lead-free
tin-plated copper alloy pin.



Mechanical characteristics

Recommended/highest tightening torque	1.2/1.5 Nm (10.62/13.28 lbf in)
PCB thickness:	max. 2.4 mm (.094 in)
PCB hole diameter:	min. 1.5 mm (.059 in)
Stripping length	10.5 ÷ 11.5 mm (.41 ÷ .45 in)
Operating temperature range	-40 °C ÷ +110 °C (-40 °F ÷ +230 °F)
Climatic category	40/110/21 according to EN 60068-1

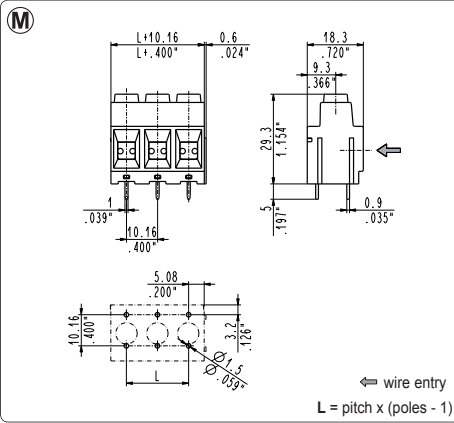
Electrical characteristics*

solid wire section	20÷6 AWG (UL)* 0.5 ÷ 16 mm ²
stranded wire section	20÷6 AWG (UL)* 0.5 ÷ 10 mm ²
Rated voltage for 10.16 mm (.400 in) pitch	1000 V (IEC EN)*
Rated current	76 A (UL)*
Contact resistance	<15 mΩ
Insulation resistance	>10 ⁹ Ω (500V DC)

*All the above mentioned data refer to the highest values amongst the certified ones.
V voltage, I current values and tightening torque are related to the norms to be applied to the product and to its use.

Approvals

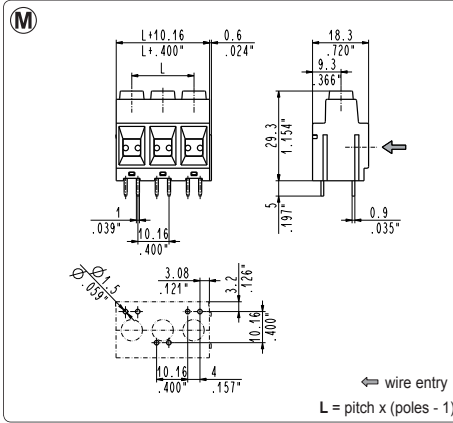
IEC-EN	IEC:	1000 V - T 110 - 76 A - 16 mm ² solid (57 A - 10 mm ² stranded) for 10.16 mm pitch (versions "S" and "Z")
	EN 60998	450 V - T 110 - 76 A - 16 mm ² solid (57 A - 10 mm ² stranded) for 10.16 mm pitch (version "D")
UL	UL:	600 V - 60 A - 20÷6 AWG - 1.2 Nm for 10.16 mm pitch (version "S")
	file E167473	600 V - 57 A - 20÷6 AWG - 1.2 Nm for 10.16 mm pitch (version "Z")
		300 V - 60 A - 20÷6 AWG - 1.2 Nm for 10.16 mm pitch (version "D")
		Application values for end-use equipment have to be in accordance to UL norms and applicable to them.
VDE	VDE:	1000 V - T 110 - 76 A - 16 mm ² solid (57 A - 10 mm ² stranded) for 10.16 mm pitch (versions "S" and "Z")
	pending	450 V - T 110 - 76 A - 16 mm ² solid (57 A - 10 mm ² stranded) for 10.16 mm pitch (version "D")
IMQ	IMQ:	1000 V - T 110 - 76 A - 16 mm ² solid (57 A - 10 mm ² stranded) for 10.16 mm pitch (versions "S" and "Z")
	pending	450 V - T 110 - 76 A - 16 mm ² solid (57 A - 10 mm ² stranded) for 10.16 mm pitch (version "D")



MPS_S06 straight, modular

10.16 mm / .400" pitch

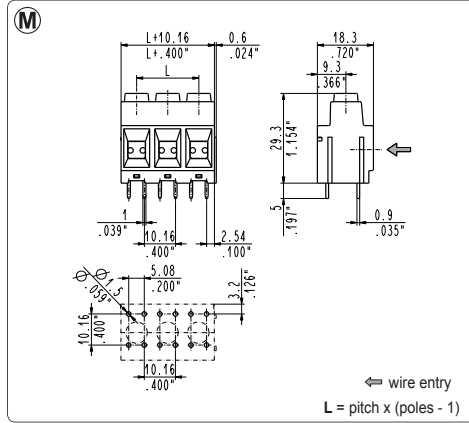
Poles	Code	Pcs/pack.	W [kg]*	Pcs/Ind.**	W [kg]*
02	MPS02S06	50	1,02	500	10,20
03	MPS03S06	50	1,53	500	15,30
04	MPS04S06	40	1,63	400	16,32
05	MPS05S06	40	2,04	400	20,40
06	MPS06S06	30	1,84	300	18,36
07	MPS07S06	30	2,14	300	21,42
08	MPS08S06	20	1,63	200	16,32
09	MPS09S06	20	1,84	200	18,36
10	MPS10S06	15	1,53	150	15,30
11	MPS11S06	15	1,68	150	16,83
12	MPS12S06	10	1,22	100	12,24



MPS_Z06 straight, modular

10.16 mm / .400" pitch

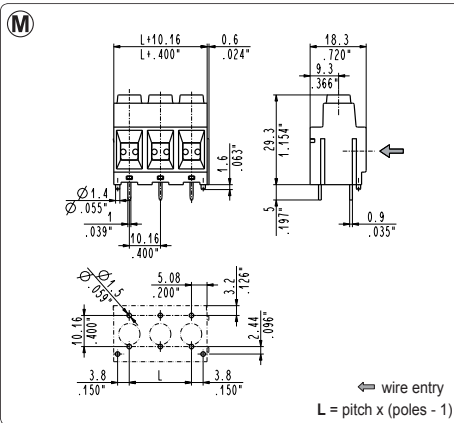
Poles	Code	Pcs/pack.	W [kg]*	Pcs/Ind.**	W [kg]*
02	MPS02Z06	50	1,00	500	10,00
03	MPS03Z06	50	1,50	500	15,00
04	MPS04Z06	40	1,60	400	16,00
05	MPS05Z06	40	2,00	400	20,00
06	MPS06Z06	30	1,80	300	18,00
07	MPS07Z06	30	2,10	300	21,00
08	MPS08Z06	20	1,60	200	16,00
09	MPS09Z06	20	1,80	200	18,00
10	MPS10Z06	15	1,50	150	15,00
11	MPS11Z06	15	1,65	150	16,50
12	MPS12Z06	10	1,20	100	12,00



MPS_D06 straight, modular

10.16 mm / .400" pitch

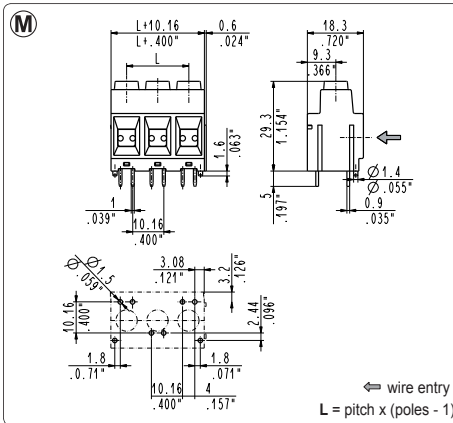
Poles	Code	Pcs/pack.	W [kg]*	Pcs/Ind.**	W [kg]*
02	MPS02D06	50	1,05	500	10,51
03	MPS03D06	50	1,58	500	15,77
04	MPS04D06	40	1,68	400	16,82
05	MPS05D06	40	2,10	400	21,02
06	MPS06D06	30	1,89	300	18,92
07	MPS07D06	30	2,21	300	22,07
08	MPS08D06	20	1,68	200	16,82
09	MPS09D06	20	1,89	200	18,92
10	MPS10D06	15	1,58	150	15,77
11	MPS11D06	15	1,73	150	17,34
12	MPS12D06	10	1,26	100	12,61



MPS_S06-0000P straight, modular, with peg

10.16 mm / .400" pitch

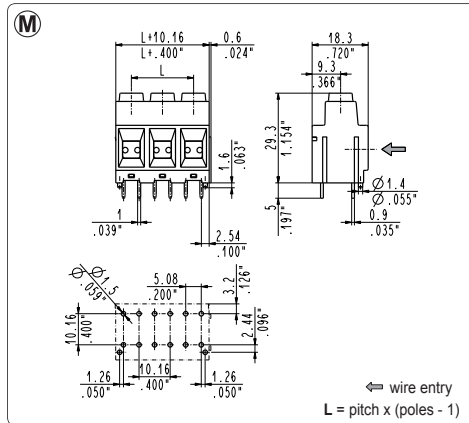
Poles	Code	Pcs/pack.	W [kg]*	Pcs/Ind.**	W [kg]*
02	MPS02S06-0000P	50	1,02	500	10,20
03	MPS03S06-0000P	50	1,53	500	15,30
04	MPS04S06-0000P	40	1,63	400	16,32
05	MPS05S06-0000P	40	2,04	400	20,40
06	MPS06S06-0000P	30	1,84	300	18,36
07	MPS07S06-0000P	30	2,14	300	21,42
08	MPS08S06-0000P	20	1,63	200	16,32
09	MPS09S06-0000P	20	1,84	200	18,36
10	MPS10S06-0000P	15	1,53	150	15,30
11	MPS11S06-0000P	15	1,68	150	16,83
12	MPS12S06-0000P	10	1,22	100	12,24



MPS_Z06-0000P straight, modular, with peg

10.16 mm / .400" pitch

Poles	Code	Pcs/pack.	W [kg]*	Pcs/Ind.**	W [kg]*
02	MPS02Z06-0000P	50	1,00	500	10,00
03	MPS03Z06-0000P	50	1,50	500	15,00
04	MPS04Z06-0000P	40	1,60	400	16,00
05	MPS05Z06-0000P	40	2,00	400	20,00
06	MPS06Z06-0000P	30	1,80	300	18,00
07	MPS07Z06-0000P	30	2,10	300	21,00
08	MPS08Z06-0000P	20	1,60	200	16,00
09	MPS09Z06-0000P	20	1,80	200	18,00
10	MPS10Z06-0000P	15	1,50	150	15,00
11	MPS11Z06-0000P	15	1,65	150	16,50
12	MPS12Z06-0000P	10	1,20	100	12,00



MPS_D06-0000P straight, modular, with peg

10.16 mm / .400" pitch

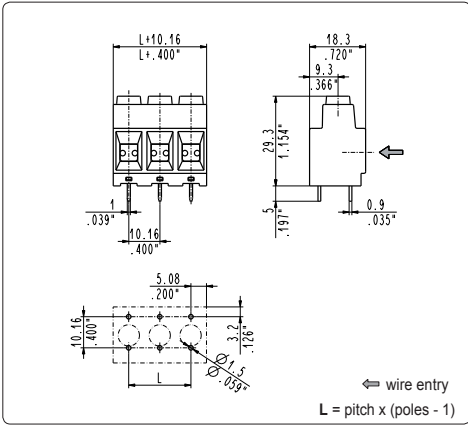
Poles	Code	Pcs/pack.	W [kg]*	Pcs/Ind.**	W [kg]*
02	MPS02D06-0000P	50	1,05	500	10,51
03	MPS03D06-0000P	50	1,58	500	15,77
04	MPS04D06-0000P	40	1,68	400	16,82
05	MPS05D06-0000P	40	2,10	400	21,02
06	MPS06D06-0000P	30	1,89	300	18,92
07	MPS07D06-0000P	30	2,21	300	22,07
08	MPS08D06-0000P	20	1,68	200	16,82
09	MPS09D06-0000P	20	1,89	200	18,92
10	MPS10D06-0000P	15	1,58	150	15,77
11	MPS11D06-0000P	15	1,73	150	17,34
12	MPS12D06-0000P	10	1,26	100	12,61

Distributed by:

www.texim-europe.com

*W [kg]: approximate weight per box in kg

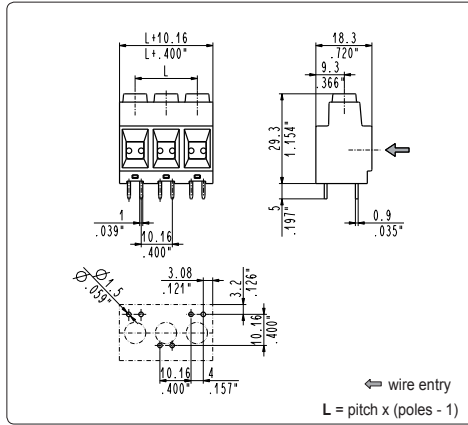
**Industrial packaging: add "-00000E" at standard code



MPS_SA6 straight, side stackable

10.16 mm / .400" pitch

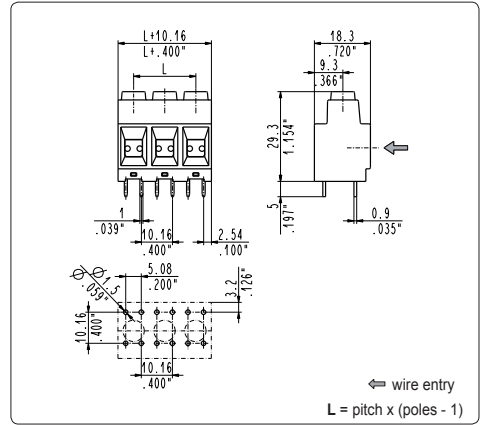
Poles	Code	Pcs/pack.	W [kg]*	Pcs/Ind.**	W [kg]*
02	MPS02SA6	50	1,02	500	10,20
03	MPS03SA6	50	1,53	500	15,30
04	MPS04SA6	40	1,63	400	16,32
05	MPS05SA6	40	2,04	400	20,40
06	MPS06SA6	30	1,84	300	18,36
07	MPS07SA6	30	2,14	300	21,42
08	MPS08SA6	20	1,63	200	16,32
09	MPS09SA6	20	1,84	200	18,36
10	MPS10SA6	15	1,53	150	15,30
11	MPS11SA6	15	1,68	150	16,83
12	MPS12SA6	10	1,22	100	12,24



MPS_ZA6 straight, side stackable

10.16 mm / .400" pitch

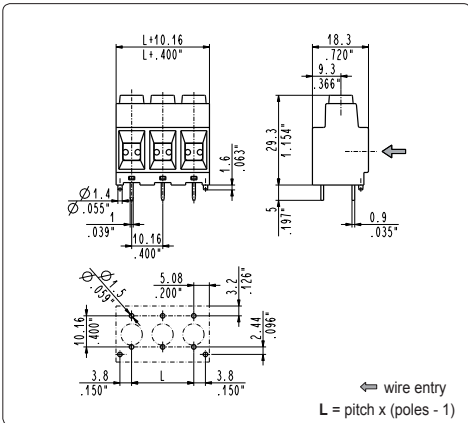
Poles	Code	Pcs/pack.	W [kg]*	Pcs/Ind.**	W [kg]*
02	MPS02ZA6	50	1,00	500	10,00
03	MPS03ZA6	50	1,50	500	15,00
04	MPS04ZA6	40	1,60	400	16,00
05	MPS05ZA6	40	2,00	400	20,00
06	MPS06ZA6	30	1,80	300	18,00
07	MPS07ZA6	30	2,10	300	21,00
08	MPS08ZA6	20	1,60	200	16,00
09	MPS09ZA6	20	1,80	200	18,00
10	MPS10ZA6	15	1,50	150	15,00
11	MPS11ZA6	15	1,65	150	16,50
12	MPS12ZA6	10	1,20	100	12,00



MPS_DA6 straight, side stackable

10.16 mm / .400" pitch

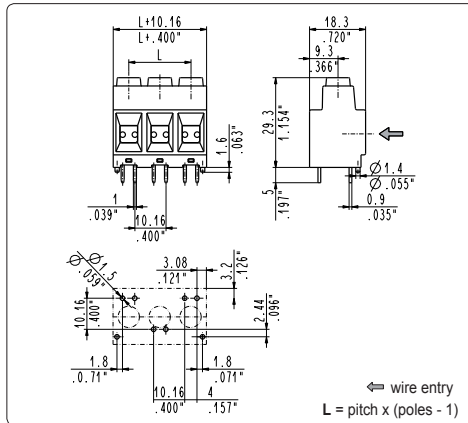
Poles	Code	Pcs/pack.	W [kg]*	Pcs/Ind.**	W [kg]*
02	MPS02DA6	50	1,05	500	10,51
03	MPS03DA6	50	1,58	500	15,77
04	MPS04DA6	40	1,68	400	16,82
05	MPS05DA6	40	2,10	400	21,02
06	MPS06DA6	30	1,89	300	18,92
07	MPS07DA6	30	2,21	300	22,07
08	MPS08DA6	20	1,68	200	16,82
09	MPS09DA6	20	1,89	200	18,92
10	MPS10DA6	15	1,58	150	15,77
11	MPS11DA6	15	1,73	150	17,34
12	MPS12DA6	10	1,26	100	12,61



MPS_SA6-0000P straight, side stackable

10.16 mm / .400" pitch

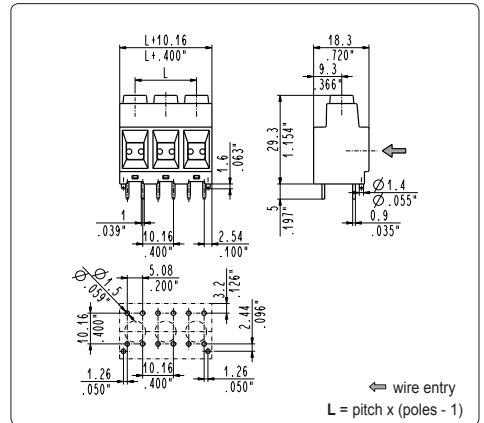
Poles	Code	Pcs/pack.	W [kg]*	Pcs/Ind.**	W [kg]*
02	MPS02SA6-0000P	50	1,02	500	10,20
03	MPS03SA6-0000P	50	1,53	500	15,30
04	MPS04SA6-0000P	40	1,63	400	16,32
05	MPS05SA6-0000P	40	2,04	400	20,40
06	MPS06SA6-0000P	30	1,84	300	18,36
07	MPS07SA6-0000P	30	2,14	300	21,42
08	MPS08SA6-0000P	20	1,63	200	16,32
09	MPS09SA6-0000P	20	1,84	200	18,36
10	MPS10SA6-0000P	15	1,53	150	15,30
11	MPS11SA6-0000P	15	1,68	150	16,83
12	MPS12SA6-0000P	10	1,22	100	12,24



MPS_ZA6-0000P straight, side stackable

10.16 mm / .400" pitch

Poles	Code	Pcs/pack.	W [kg]*	Pcs/Ind.**	W [kg]*
02	MPS02ZA6-0000P	50	1,00	500	10,00
03	MPS03ZA6-0000P	50	1,50	500	15,00
04	MPS04ZA6-0000P	40	1,60	400	16,00
05	MPS05ZA6-0000P	40	2,00	400	20,00
06	MPS06ZA6-0000P	30	1,80	300	18,00
07	MPS07ZA6-0000P	30	2,10	300	21,00
08	MPS08ZA6-0000P	20	1,60	200	16,00
09	MPS09ZA6-0000P	20	1,80	200	18,00
10	MPS10ZA6-0000P	15	1,50	150	15,00
11	MPS11ZA6-0000P	15	1,65	150	16,50
12	MPS12ZA6-0000P	10	1,20	100	12,00



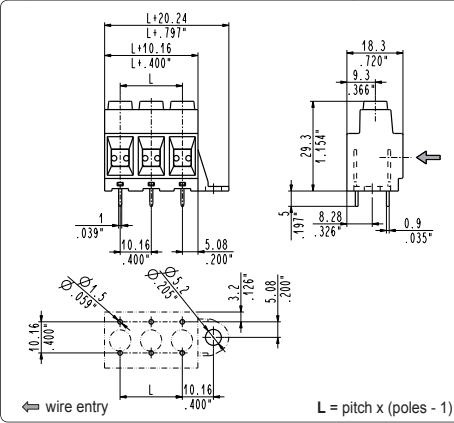
MPS_DA6-0000P straight, side stackable

10.16 mm / .400" pitch

Poles	Code	Pcs/pack.	W [kg]*	Pcs/Ind.**	W [kg]*
02	MPS02DA6-0000P	50	1,05	500	10,51
03	MPS03DA6-0000P	50	1,58	500	15,77
04	MPS04DA6-0000P	40	1,68	400	16,82
05	MPS05DA6-0000P	40	2,10	400	21,02
06	MPS06DA6-0000P	30	1,89	300	18,92
07	MPS07DA6-0000P	30	2,21	300	22,07
08	MPS08DA6-0000P	20	1,68	200	16,82
09	MPS09DA6-0000P	20	1,89	200	18,92
10	MPS10DA6-0000P	15	1,58	150	15,77
11	MPS11DA6-0000P	15	1,73	150	17,34
12	MPS12DA6-0000P	10	1,26	100	12,61

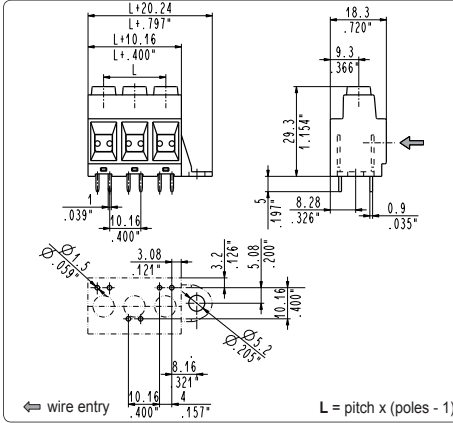
Distributed by:

www.texim-europe.com



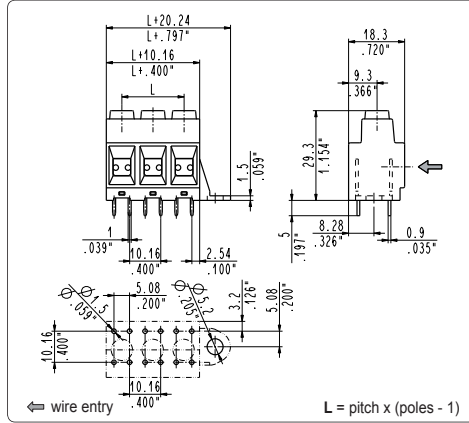
MPS_SA6-00D straight, side stackable, mounting flanges

10.16 mm / .400" pitch			
Poles	Code	Pcs/pack.	W [kg]* Pcs/Ind.** W [kg]*
01	MPS01SA6-00D	50	0,51 500 5,13
02	MPS02SA6-00D	50	1,02 500 10,23
03	MPS03SA6-00D	50	1,53 500 15,33
04	MPS04SA6-00D	40	1,63 400 16,34
05	MPS05SA6-00D	40	2,04 400 20,42
06	MPS06SA6-00D	30	1,84 300 18,38
07	MPS07SA6-00D	30	2,14 300 21,44
08	MPS08SA6-00D	20	1,63 200 16,33
09	MPS09SA6-00D	20	1,84 200 18,37
10	MPS10SA6-00D	15	1,53 150 15,31
11	MPS11SA6-00D	15	1,68 150 16,83
12	MPS12SA6-00D	10	1,22 100 12,24



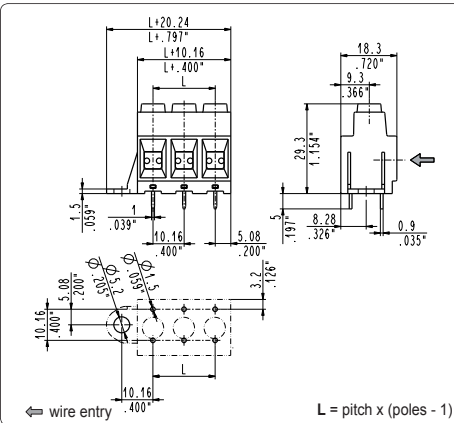
MPS_ZA6-00D straight, side stackable, mounting flanges

10.16 mm / .400" pitch			
Poles	Code	Pcs/pack.	W [kg]* Pcs/Ind.** W [kg]*
02	MPS02ZA6-00D	50	1,00 500 10,03
03	MPS03ZA6-00D	50	1,50 500 15,03
04	MPS04ZA6-00D	40	1,60 400 16,02
05	MPS05ZA6-00D	40	2,00 400 20,02
06	MPS06ZA6-00D	30	1,80 300 18,02
07	MPS07ZA6-00D	30	2,10 300 21,02
08	MPS08ZA6-00D	20	1,60 200 16,01
09	MPS09ZA6-00D	20	1,80 200 18,01
10	MPS10ZA6-00D	15	1,50 150 15,01
11	MPS11ZA6-00D	15	1,65 150 16,51
12	MPS12ZA6-00D	10	1,20 100 12,00



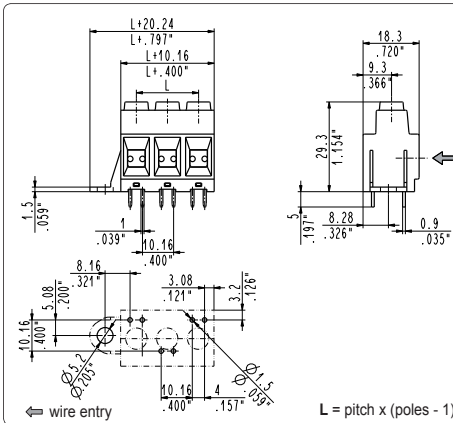
MPS_DA6-00D straight, side stackable, mounting flanges

10.16 mm / .400" pitch			
Poles	Code	Pcs/pack.	W [kg]* Pcs/Ind.** W [kg]*
01	MPS01DA6-00D	50	0,53 500 5,29
02	MPS02DA6-00D	50	1,05 500 10,54
03	MPS03DA6-00D	50	1,58 500 15,80
04	MPS04DA6-00D	40	1,68 400 16,84
05	MPS05DA6-00D	40	2,10 400 21,04
06	MPS06DA6-00D	30	1,89 300 18,94
07	MPS07DA6-00D	30	2,21 300 22,09
08	MPS08DA6-00D	20	1,68 200 16,81
09	MPS09DA6-00D	20	1,89 200 18,93
10	MPS10DA6-00D	15	1,58 150 15,78
11	MPS11DA6-00D	15	1,73 150 17,35
12	MPS12DA6-00D	10	1,26 100 12,61



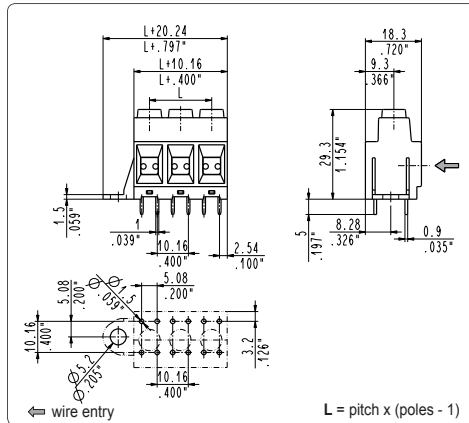
MPS_SA6-00S straight, side stackable, mounting flanges

10.16 mm / .400" pitch			
Poles	Code	Pcs/pack.	W [kg]* Pcs/Ind.** W [kg]*
01	MPS01SA6-00S	50	0,51 500 5,13
02	MPS02SA6-00S	50	1,02 500 10,23
03	MPS03SA6-00S	50	1,53 500 15,33
04	MPS04SA6-00S	40	1,63 400 16,34
05	MPS05SA6-00S	40	2,04 400 20,42
06	MPS06SA6-00S	30	1,84 300 18,38
07	MPS07SA6-00S	30	2,14 300 21,44
08	MPS08SA6-00S	20	1,63 200 16,33
09	MPS09SA6-00S	20	1,84 200 18,37
10	MPS10SA6-00S	15	1,53 150 15,31
11	MPS11SA6-00S	15	1,68 150 16,83
12	MPS12SA6-00S	10	1,22 100 12,24



MPS_ZA6-00S straight, side stackable, mounting flanges

10.16 mm / .400" pitch			
Poles	Code	Pcs/pack.	W [kg]* Pcs/Ind.** W [kg]*
02	MPS02ZA6-00S	50	1,00 500 10,03
03	MPS03ZA6-00S	50	1,50 500 15,03
04	MPS04ZA6-00S	40	1,60 400 16,02
05	MPS05ZA6-00S	40	2,00 400 20,02
06	MPS06ZA6-00S	30	1,80 300 18,02
07	MPS07ZA6-00S	30	2,10 300 21,02
08	MPS08ZA6-00S	20	1,60 200 16,01
09	MPS09ZA6-00S	20	1,80 200 18,01
10	MPS10ZA6-00S	15	1,50 150 15,01
11	MPS11ZA6-00S	15	1,65 150 16,51
12	MPS12ZA6-00S	10	1,20 100 12,00



MPS_DA6-00S straight, side stackable, mounting flanges

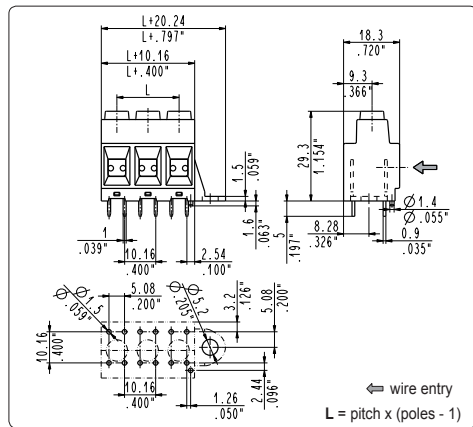
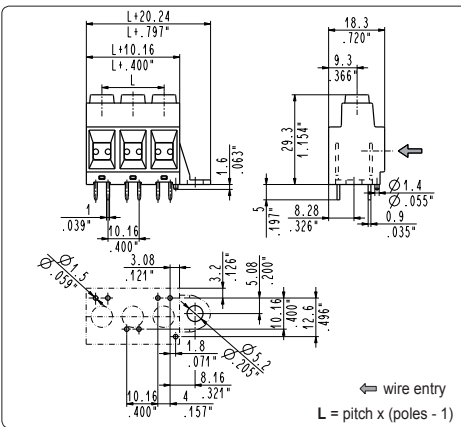
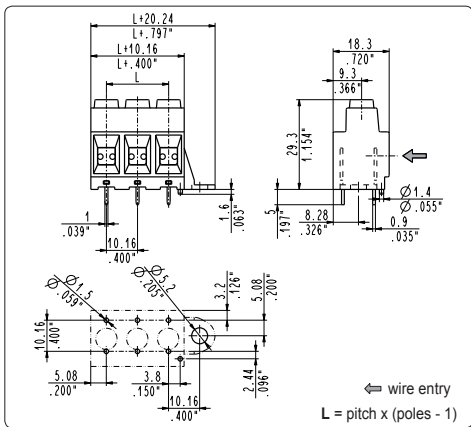
10.16 mm / .400" pitch			
Poles	Code	Pcs/pack.	W [kg]* Pcs/Ind.** W [kg]*
01	MPS01DA6-00S	50	0,53 500 5,29
02	MPS02DA6-00S	50	1,05 500 10,54
03	MPS03DA6-00S	50	1,58 500 15,80
04	MPS04DA6-00S	40	1,68 400 16,84
05	MPS05DA6-00S	40	2,10 400 21,04
06	MPS06DA6-00S	30	1,89 300 18,94
07	MPS07DA6-00S	30	2,21 300 22,09
08	MPS08DA6-00S	20	1,68 200 16,81
09	MPS09DA6-00S	20	1,89 200 18,93
10	MPS10DA6-00S	15	1,58 150 15,78
11	MPS11DA6-00S	15	1,73 150 17,35
12	MPS12DA6-00S	10	1,26 100 12,61

*W [kg]: approximate weight per box in kg

**Industrial packaging: add "-00000E" at standard code

Distributed by:

www.texim-europe.com



MPS_SA6-00D0P straight, right mounting flanges, pgs

MPS_ZA6-00D0P straight, right mounting flanges, pgs

MPS_DA6-00D0P straight, right mounting flanges, pgs

10.16 mm / .400" pitch

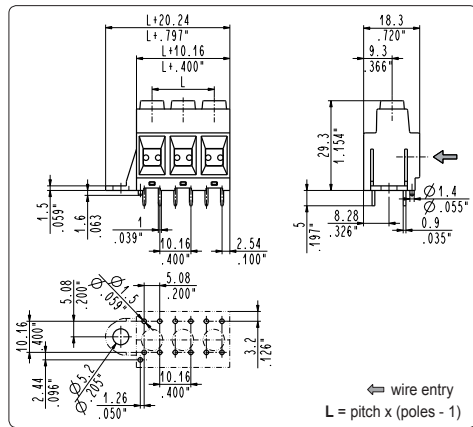
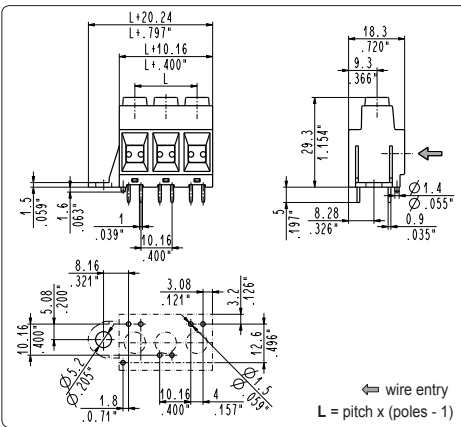
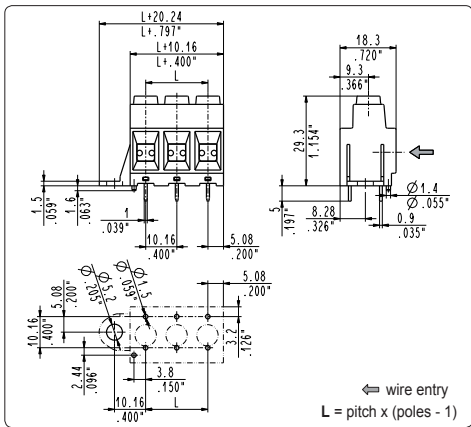
Poles	Code	Pcs/pack.	W [kg]*	Pcs/Ind.**	W [kg]*
01	MPS01SA6-00D0P	50	0,51	500	5,13
02	MPS02SA6-00D0P	50	1,02	500	10,23
03	MPS03SA6-00D0P	50	1,53	500	15,33
04	MPS04SA6-00D0P	40	1,63	400	16,34
05	MPS05SA6-00D0P	40	2,04	400	20,42
06	MPS06SA6-00D0P	30	1,84	300	18,38
07	MPS07SA6-00D0P	30	2,14	300	21,44
08	MPS08SA6-00D0P	20	1,63	200	16,33
09	MPS09SA6-00D0P	20	1,84	200	18,37
10	MPS10SA6-00D0P	15	1,53	150	15,31
11	MPS11SA6-00D0P	15	1,68	150	16,83
12	MPS12SA6-00D0P	10	1,22	100	12,24

10.16 mm / .400" pitch

Poles	Code	Pcs/pack.	W [kg]*	Pcs/Ind.**	W [kg]*
02	MPS02ZA6-00D0P	50	1,00	500	10,03
03	MPS03ZA6-00D0P	50	1,50	500	15,03
04	MPS04ZA6-00D0P	40	1,60	400	16,02
05	MPS05ZA6-00D0P	40	2,00	400	20,02
06	MPS06ZA6-00D0P	30	1,80	300	18,02
07	MPS07ZA6-00D0P	30	2,10	300	21,02
08	MPS08ZA6-00D0P	20	1,60	200	16,01
09	MPS09ZA6-00D0P	20	1,80	200	18,01
10	MPS10ZA6-00D0P	15	1,50	150	15,01
11	MPS11ZA6-00D0P	15	1,65	150	16,51
12	MPS12ZA6-00D0P	10	1,20	100	12,00

10.16 mm / .400" pitch

Poles	Code	Pcs/pack.	W [kg]*	Pcs/Ind.**	W [kg]*
01	MPS01DA6-00D0P	50	0,53	500	5,29
02	MPS02DA6-00D0P	50	1,05	500	10,54
03	MPS03DA6-00D0P	50	1,58	500	15,80
04	MPS04DA6-00D0P	40	1,68	400	16,84
05	MPS05DA6-00D0P	40	2,10	400	21,04
06	MPS06DA6-00D0P	30	1,89	300	18,94
07	MPS07DA6-00D0P	30	2,21	300	22,09
08	MPS08DA6-00D0P	20	1,68	200	16,81
09	MPS09DA6-00D0P	20	1,89	200	18,93
10	MPS10DA6-00D0P	15	1,58	150	15,78
11	MPS11DA6-00D0P	15	1,73	150	17,35
12	MPS12DA6-00D0P	10	1,26	100	12,61



MPS_SA6-00S0P straight, right mounting flanges, pgs

MPS_ZA6-00S0P straight, right mounting flanges, pgs

MPS_DA6-00S0P straight, right mounting flanges, pgs

10.16 mm / .400" pitch

Poles	Code	Pcs/pack.	W [kg]*	Pcs/Ind.**	W [kg]*
01	MPS01SA6-00S0P	50	0,51	500	5,13
02	MPS02SA6-00S0P	50	1,02	500	10,23
03	MPS03SA6-00S0P	50	1,53	500	15,33
04	MPS04SA6-00S0P	40	1,63	400	16,34
05	MPS05SA6-00S0P	40	2,04	400	20,42
06	MPS06SA6-00S0P	30	1,84	300	18,38
07	MPS07SA6-00S0P	30	2,14	300	21,44
08	MPS08SA6-00S0P	20	1,63	200	16,33
09	MPS09SA6-00S0P	20	1,84	200	18,37
10	MPS10SA6-00S0P	15	1,53	150	15,31
11	MPS11SA6-00S0P	15	1,68	150	16,83
12	MPS12SA6-00S0P	10	1,22	100	12,24

10.16 mm / .400" pitch

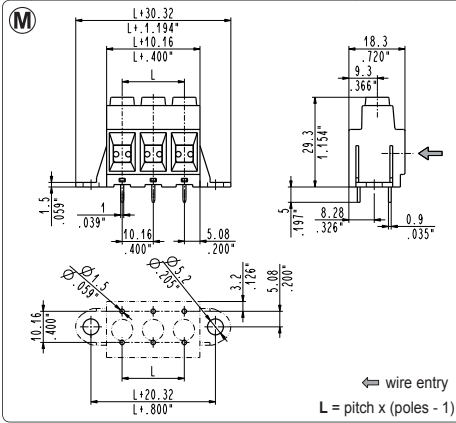
Poles	Code	Pcs/pack.	W [kg]*	Pcs/Ind.**	W [kg]*
02	MPS02ZA6-00S0P	50	1,00	500	10,03
03	MPS03ZA6-00S0P	50	1,50	500	15,03
04	MPS04ZA6-00S0P	40	1,60	400	16,02
05	MPS05ZA6-00S0P	40	2,00	400	20,02
06	MPS06ZA6-00S0P	30	1,80	300	18,02
07	MPS07ZA6-00S0P	30	2,10	300	21,02
08	MPS08ZA6-00S0P	20	1,60	200	16,01
09	MPS09ZA6-00S0P	20	1,80	200	18,01
10	MPS10ZA6-00S0P	15	1,50	150	15,01
11	MPS11ZA6-00S0P	15	1,65	150	16,51
12	MPS12ZA6-00S0P	10	1,20	100	12,00

10.16 mm / .400" pitch

Poles	Code	Pcs/pack.	W [kg]*	Pcs/Ind.**	W [kg]*
01	MPS01DA6-00S0P	50	0,53	500	5,29
02	MPS02DA6-00S0P	50	1,05	500	10,54
03	MPS03DA6-00S0P	50	1,58	500	15,80
04	MPS04DA6-00S0P	40	1,68	400	16,84
05	MPS05DA6-00S0P	40	2,10	400	21,04
06	MPS06DA6-00S0P	30	1,89	300	18,94
07	MPS07DA6-00S0P	30	2,21	300	22,09
08	MPS08DA6-00S0P	20	1,68	200	16,81
09	MPS09DA6-00S0P	20	1,89	200	18,93
10	MPS10DA6-00S0P	15	1,58	150	15,78
11	MPS11DA6-00S0P	15	1,73	150	17,35
12	MPS12DA6-00S0P	10	1,26	100	12,61

Distributed by:

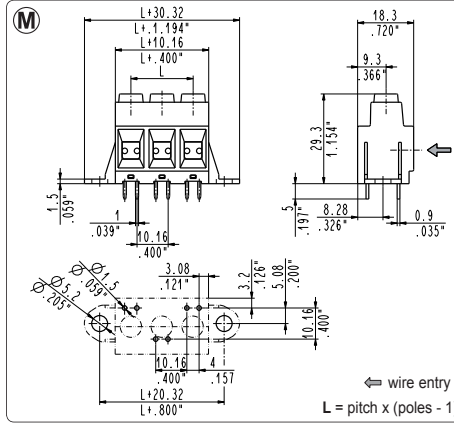
www.texim-europe.com



MPS_SV6 straight, mounting flanges

10.16 mm / .400" pitch

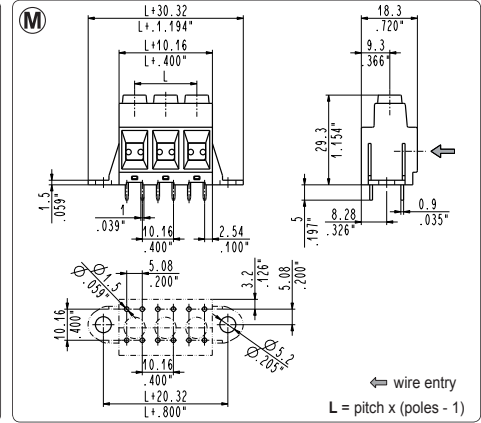
Poles	Code	Pcs/pack.	W [kg]*	Pcs/Ind.**	W [kg]*
02	MPS02SV6	50	1,03	500	10,26
03	MPS03SV6	50	1,54	500	15,36
04	MPS04SV6	40	1,63	400	16,37
05	MPS05SV6	40	2,04	400	20,45
06	MPS06SV6	30	1,84	300	18,40
07	MPS07SV6	30	2,14	300	21,46
08	MPS08SV6	20	1,63	200	16,35
09	MPS09SV6	20	1,84	200	18,39
10	MPS10SV6	15	1,53	150	15,32
11	MPS11SV6	15	1,68	150	16,85
12	MPS12SV6	10	1,22	100	12,25



MPS_ZV6 straight, mounting flanges

10.16 mm / .400" pitch

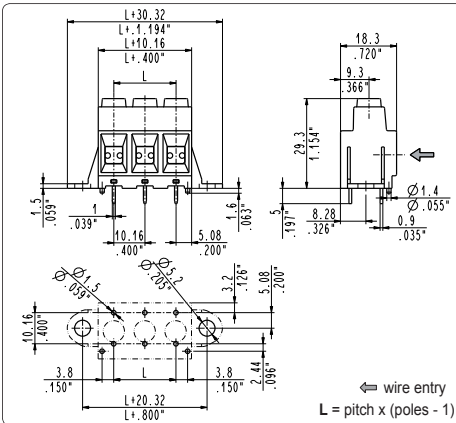
Poles	Code	Pcs/pack.	W [kg]*	Pcs/Ind.**	W [kg]*
02	MPS02ZV6	50	1,01	500	10,06
03	MPS03ZV6	50	1,51	500	15,06
04	MPS04ZV6	40	1,60	400	16,05
05	MPS05ZV6	40	2,00	400	20,05
06	MPS06ZV6	30	1,80	300	18,04
07	MPS07ZV6	30	2,10	300	21,04
08	MPS08ZV6	20	1,60	200	16,03
09	MPS09ZV6	20	1,80	200	18,03
10	MPS10ZV6	15	1,50	150	15,02
11	MPS11ZV6	15	1,65	150	16,52
12	MPS12ZV6	10	1,20	100	12,01



MPS_DV6 straight, mounting flanges

10.16 mm / .400" pitch

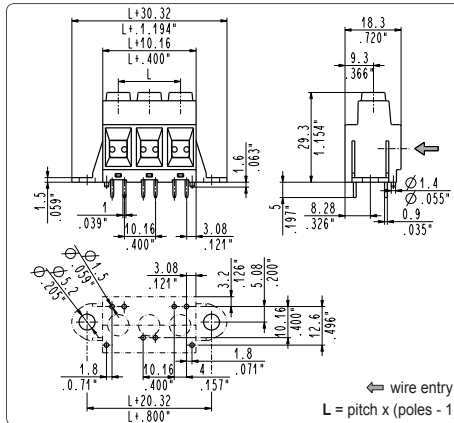
Poles	Code	Pcs/pack.	W [kg]*	Pcs/Ind.**	W [kg]*
02	MPS02DV6	50	1,06	500	10,63
03	MPS03DV6	50	1,58	500	15,89
04	MPS04DV6	40	1,68	400	16,93
05	MPS05DV6	40	2,10	400	21,13
06	MPS06DV6	30	1,89	300	19,02
07	MPS07DV6	30	2,21	300	22,17
08	MPS08DV6	20	1,68	200	16,91
09	MPS09DV6	20	1,89	200	19,01
10	MPS10DV6	15	1,58	150	15,85
11	MPS11DV6	15	1,73	150	17,42
12	MPS12DV6	10	1,26	100	12,67



MPS_SV6-0000P straight, mounting flanges, peg

10.16 mm / .400" pitch

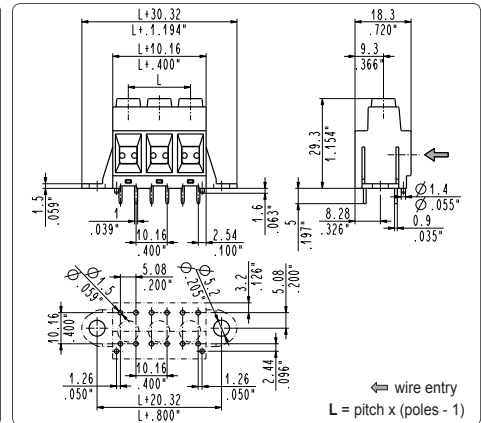
Poles	Code	Pcs/pack.	W [kg]*	Pcs/Ind.**	W [kg]*
02	MPS02SV6-0000P	50	1,03	500	10,26
03	MPS03SV6-0000P	50	1,54	500	15,36
04	MPS04SV6-0000P	40	1,63	400	16,37
05	MPS05SV6-0000P	40	2,04	400	20,45
06	MPS06SV6-0000P	30	1,84	300	18,40
07	MPS07SV6-0000P	30	2,14	300	21,46
08	MPS08SV6-0000P	20	1,63	200	16,35
09	MPS09SV6-0000P	20	1,84	200	18,39
10	MPS10SV6-0000P	15	1,53	150	15,32
11	MPS11SV6-0000P	15	1,68	150	16,85
12	MPS12SV6-0000P	10	1,22	100	12,25



MPS_ZV6-0000P straight, mounting flanges, peg

10.16 mm / .400" pitch

Poles	Code	Pcs/pack.	W [kg]*	Pcs/Ind.**	W [kg]*
02	MPS02ZV6-0000P	50	1,01	500	10,06
03	MPS03ZV6-0000P	50	1,51	500	15,06
04	MPS04ZV6-0000P	40	1,60	400	16,05
05	MPS05ZV6-0000P	40	2,00	400	20,05
06	MPS06ZV6-0000P	30	1,80	300	18,04
07	MPS07ZV6-0000P	30	2,10	300	21,04
08	MPS08ZV6-0000P	20	1,60	200	16,03
09	MPS09ZV6-0000P	20	1,80	200	18,03
10	MPS10ZV6-0000P	15	1,50	150	15,02
11	MPS11ZV6-0000P	15	1,65	150	16,52
12	MPS12ZV6-0000P	10	1,20	100	12,01



MPS_DV6-0000P straight, mounting flanges, peg

10.16 mm / .400" pitch

Poles	Code	Pcs/pack.	W [kg]*	Pcs/Ind.**	W [kg]*
02	MPS02DV6-0000P	50	1,06	500	10,63
03	MPS03DV6-0000P	50	1,58	500	15,89
04	MPS04DV6-0000P	40	1,68	400	16,93
05	MPS05DV6-0000P	40	2,10	400	21,13
06	MPS06DV6-0000P	30	1,89	300	19,02
07	MPS07DV6-0000P	30	2,21	300	22,17
08	MPS08DV6-0000P	20	1,68	200	16,91
09	MPS09DV6-0000P	20	1,89	200	19,01
10	MPS10DV6-0000P	15	1,58	150	15,85
11	MPS11DV6-0000P	15	1,73	150	17,42
12	MPS12DV6-0000P	10	1,26	100	12,67

Distributed by:

www.texim-europe.com

*W [kg]: approximate weight per box in kg

**Industrial packaging: add "-00000E" at standard code

TEXIM EUROPE

Partner in Electronic Components & Supply Chain Solutions



The Netherlands

Elektrostraat 17
NL-7483 PG Haaksbergen
Tel: +31 (0)53 573 33 33
Fax: +31 (0)53 573 33 30
nl@texim-europe.com



Denmark

Nørregade 15
DK-9240 Nibe
Tel: +45 88 20 26 30
Fax: +45 88 20 26 39
nordic@texim-europe.com



Belgium

Gentsesteenweg 1154-C22
Chaussée de Gand 1154-C22
B-1082 Brussel / Bruxelles
Tel: +32 (0)2 462 01 00
Fax: +32 (0)2 462 01 25
belgium@texim-europe.com



United Kingdom

St. Mary's House, Church Lane
Carlton Le Moorland
Lincoln LN5 9HS
Tel: +44 (0)1522 789 555
Fax: +44 (0)845 299 22 26
uk@texim-europe.com



Germany

Justus-von-Liebig-Ring 7-9
D-25451 Quickborn
Tel: +49 (0)4106 627 07-0
Fax: +49 (0)4106 627 07-20
germany@texim-europe.com



Germany

Martin-Kollar-Strasse 9
D-81829 München
Tel: +49 (0)89 436 086-0
Fax: +49 (0)89 436 086-19
germany@texim-europe.com



Austria

Warwitzstrasse 9
A-5020 Salzburg
Tel: +43 (0)662 216026
Fax: +43 (0)662 216026-66
austria@texim-europe.com

Texim Europe B.V.

Elektrostraat 17
NL-7483 PG Haaksbergen
Tel: +31 (0)53 573 33 33
info@texim-europe.com
www.texim-europe.com

