



GREEN ELECTRONICS



MSS

Terminal Blocks



ISO
9001



ISO
14001



BS OHSAS
18001:2007



SAURO[®]
ELECTRONIC CONNECTORS
— by the law —

Distributed by:



www.texim-europe.com

Functional characteristics



Dimensional class:
medium



Standard colour:
green



Height:
15.2 mm (.598 in)



Max approved wire sections:
solid: 2.5 mm² (VDE); 12 AWG (UL)
stranded: 2.5 mm² (VDE); 12 AWG (UL)

Clamp opening size:
2.5 x 2.3 mm (.098 x .087 in)



Versions:
modular

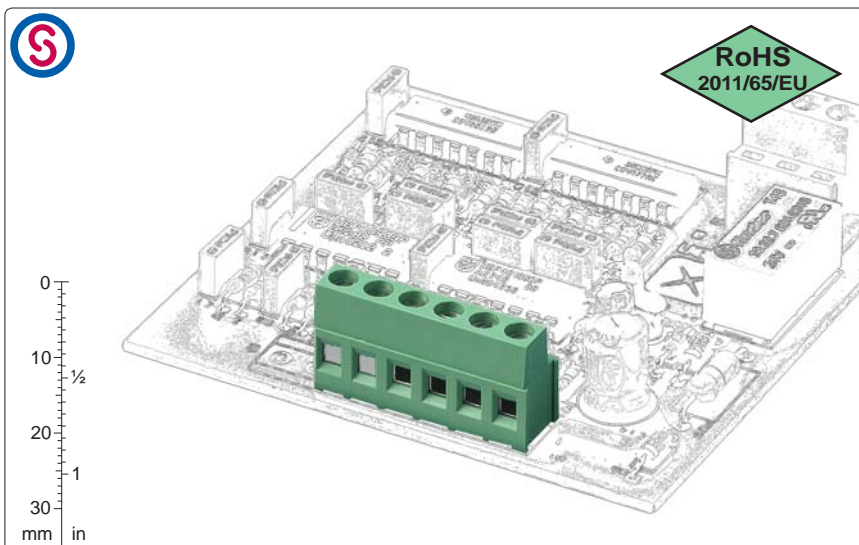
Single mould poles:
from 2 to 25



Pitches:
metric 5 mm, 7.5 mm, 10 mm
(.197 in, .295 in, .394 in)



imperial 5.08 mm, 7.62 mm, 10.16 mm
(.200 in, .300 in, .400 in)



pitch 5/5.08 mm
version straight,
modular



pitch 7.5/7.62 mm
version straight,
modular



pitch 10/10.16 mm
version straight,
modular



version 90°,
modular



version 90°,
modular



version 270°,
modular

NEW



"T" version with central pin,
modular



available accessories:
BSC_00_0R from 2 to 9 poles
BSC for rising clamp

Brief description

With the **MSS** modular series terminal blocks for PCBs, wires up to 2.5 mm² (12 AWG) can be used and consequently a current range of 24A certified can be reached.

The particular design makes it the only terminal block with a **real zero gap when it is tightened**, thus eliminating the risk of "false" wiring.

In the **90° T version**, the central position of the pin ensures high mechanical stability when tightening with screws; moreover resins for sealing can be used for the PCB.

It is available in 5 mm (.197 in), 7.5 mm (.294 in) and 10 mm (.394 in) metric pitches, and in 5.08 mm (.200 in), 7.62 mm (.300 in) and 10.16

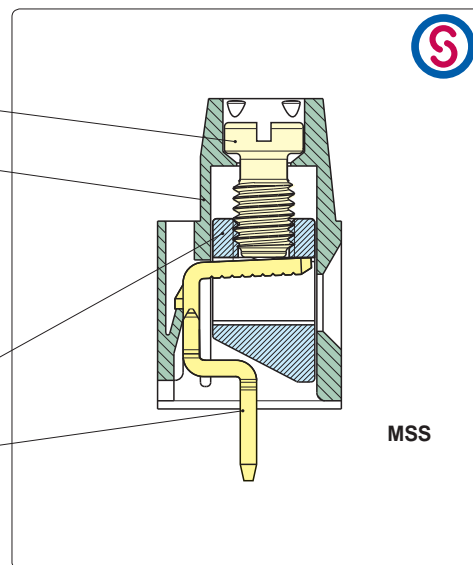
mm (.400 in) Imperial pitches, in monolithic blocks from 2 to 25 poles, with insertion of the wire parallel or vertical in relation to the PCB.

All the housings are modular, therefore it is possible to compose the monolithic terminal blocks from 2 to 25 poles separately, or to compose the basic terminal blocks until any number of poles is obtained. By taking advantage of this particular characteristic a minimum stock of basic terminal blocks can be kept.

It is simple to manage the product, the warehouse and the assembly with the Kit packages because several versions can be received with only one code, the part-numbers are significantly reduced and the risk of making mistakes is also reduced.

Characteristics of components

- M3 nickel plated copper alloy screw.
- PA 6.6 polyamide housing.
Standard colour: GREEN.
V0 self-extinguishing according to UL 94.
Chlorinated solvents resistant,
with no phosphor, dioxin or
detrimental to health halogens.
- Nickel plated copper alloy clamp
- Easy to solder lead-free
tin-plated copper alloy pin.



Mechanical characteristics

Recommended/highest tightening torque	0.5/0.6 Nm (4.42/5.31 lbf-in)
PCB thickness:	max. 2.4 mm (.094 in)
PCB hole diameter:	min. 1.4 mm (.055 in)
Stripping length	5.5 ÷ 6.5 mm (.22 ÷ .26 in)
Operating temperature range	-40 °C ÷ +110 °C (-40 °F ÷ +230 °F)
Climatic category	40/110/21 according to EN 60068-1

Electric characteristics*

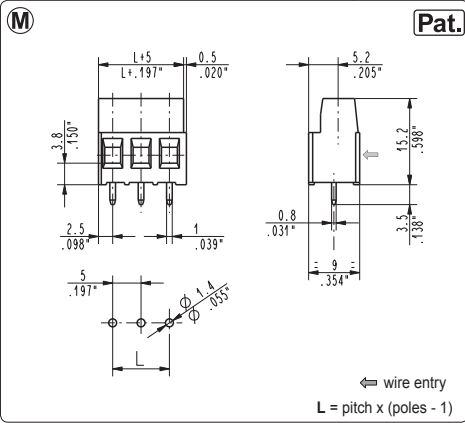
Solid wire section	30÷12 AWG (UL)* 0.05÷2.5 mm ² (VDE, IMQ)*
Stranded wire section	30÷12 AWG (UL)* 0.05÷2.5 mm ² (VDE, IMQ)*
Rated voltage for 5 mm (.197 in) and 5.08 mm (.200 in)	300 V (UL)*
Rated voltage for 7.5 mm (.295 in) and 7.62 mm (.300 in)	750 V (IMQ)*
Rated voltage for 10 mm (.394 in) and 10.16 mm (.400 in)	750 V (IMQ)*
Rated current	24 A (VDE, IMQ)*
Contact resistance	<15 mΩ
Insulation resistance	>10 ⁹ Ω (500V DC)

*All the above mentioned data refer to the highest values amongst the certificated ones.

V voltage, I current values and tightening torque are related to the norms to be applied to the product and to its use.

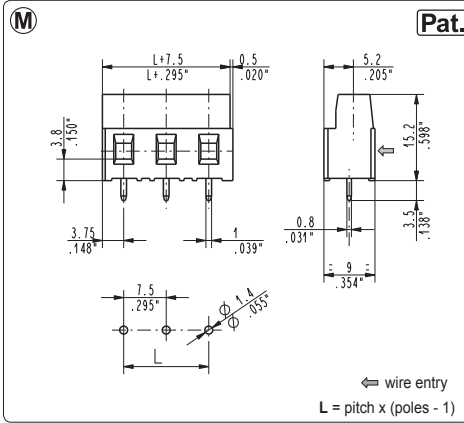
Approvals

IEC-EN	IEC:	250 V - 24 A - 2.5 mm ² - T 110 for 5 mm and 5.08 mm pitch
	EN 60998	750 V - 24 A - 2.5 mm ² - T 110 for 7.5 mm, 7.62 mm, 10 mm and 10.16 mm pitch
UL	UL:	300 V - 17.5 A (factory wiring), 15A (field wiring) - 30÷12 AWG - 7 lbf-in for 5 mm, 5.08 mm, 7.5 mm and 7.62 mm pitch
	File E167473	600 V - 17.5 A (factory wiring), 15A (field wiring) - 30÷12 AWG - 7 lbf-in for 10 mm and 10.16 mm pitch
		Application values for end-use equipment have to be in accordance to UL norms and applicable to it.
VDE	VDE:	250 V - 24 A - 2.5 mm ² - T 110 for 5 mm and 5.08 mm pitch
	File n. 40022745	750 V - 24 A - 2.5 mm ² - T 110 for 7.5 mm, 7.62 mm, 10 mm and 10.16 mm pitch
IMQ	IMQ:	250 V - 24 A - 2.5 mm ² - T 110 for 5 mm and 5.08 mm pitch
	File: EA022	750 V - 24 A - 2.5 mm ² - T 110 for 7.5 mm, 7.62 mm, 10 mm and 10.16 mm pitch



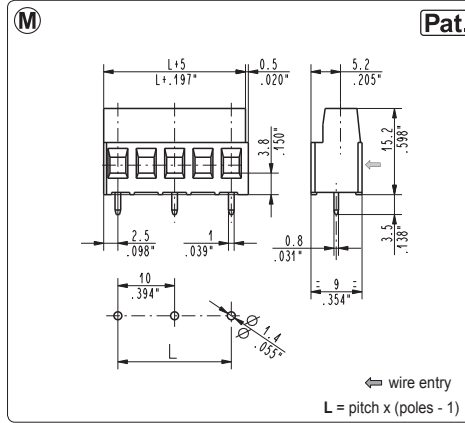
MSS_001 straight, modular

5 mm / .197" pitch				
Poles	Code	Pcs/pack.	W [kg]*	Pcs/Ind.** W [kg]*
02	MSS02001	900	2,90	2000 6,44
03	MSS03001	600	2,90	1750 8,45
04	MSS04001	400	2,58	1500 9,66
05	MSS05001	350	2,82	1000 8,05
06	MSS06001	300	2,90	750 7,25
07	MSS07001	250	2,82	750 8,45
08	MSS08001	200	2,58	750 9,66
09	MSS09001	175	2,54	500 7,25
10	MSS10001	175	2,82	500 8,05
11	MSS11001	150	2,66	500 8,86
12	MSS12001	150	2,90	500 9,66
13	MSS13001	75	1,57	500 10,47
14	MSS14001	75	1,69	250 5,64
15	MSS15001	75	1,81	250 6,04
16	MSS16001	75	1,93	250 6,44
17	MSS17001	75	2,05	250 6,84
18	MSS18001	75	2,17	250 7,25
19	MSS19001	50	1,53	250 7,65
20	MSS20001	50	1,61	250 8,05
21	MSS21001	50	1,69	250 8,45
22	MSS22001	50	1,77	250 8,86
23	MSS23001	50	1,85	250 9,26
24	MSS24001	50	1,93	250 9,66
25	MSS25001	50	2,01	250 10,06



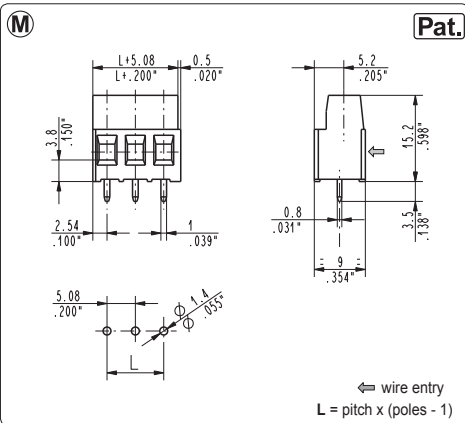
MSS_003 straight, modular

7.5 mm / .295" pitch				
Poles	Code	Pcs/pack.	W [kg]*	Pcs/Ind.** W [kg]*
02	MSS02003	300	1,07	1750 6,23
03	MSS03003	200	1,07	1500 8,01
04	MSS04003	150	1,07	1250 8,90



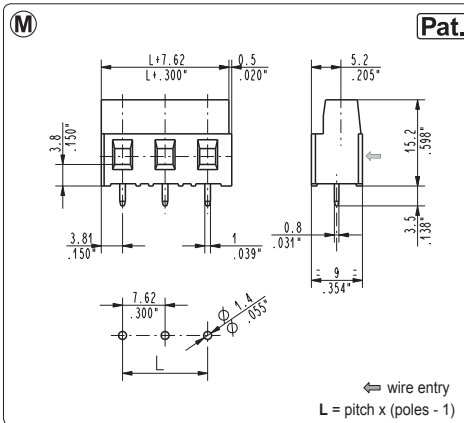
MSS_002 straight, modular

10 mm / .394" pitch				
Poles	Code	Pcs/pack.	W [kg]*	Pcs/Ind.** W [kg]*
01	MSS01002	450	0,82	2000 3,64
02	MSS02002	300	1,09	1750 6,37
03	MSS03002	175	0,96	1000 5,46
04	MSS04002	125	0,91	750 5,46
05	MSS05002	100	0,91	500 4,55
06	MSS06002	75	0,82	500 5,46
07	MSS07002	75	0,96	500 6,37
08	MSS08002	75	1,09	500 7,28
09	MSS09002	75	1,23	250 4,01
10	MSS10002	50	0,91	250 4,55
11	MSS11002	50	1,00	250 5,01
12	MSS12002	50	1,09	250 5,46
13	MSS13002	50	1,18	250 5,92



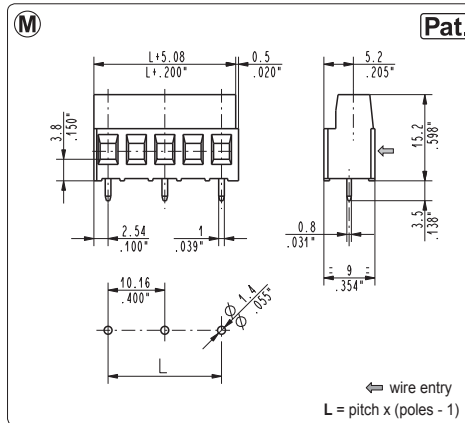
MSS_005 straight, modular

5.08 mm / .200" pitch				
Poles	Code	Pcs/pack.	W [kg]*	Pcs/Ind.** W [kg]*
02	MSS02005	900	2,90	2000 6,44
03	MSS03005	600	2,90	1750 8,45
04	MSS04005	400	2,58	1500 9,66
05	MSS05005	350	2,82	1000 8,05
06	MSS06005	300	2,90	750 7,25
07	MSS07005	250	2,82	750 8,45
08	MSS08005	200	2,58	750 9,66
09	MSS09005	175	2,54	500 7,25
10	MSS10005	175	2,82	500 8,05
11	MSS11005	150	2,66	500 8,86
12	MSS12005	150	2,90	500 9,66
13	MSS13005	75	1,57	500 10,47
14	MSS14005	75	1,69	250 5,64
15	MSS15005	75	1,81	250 6,04
16	MSS16005	75	1,93	250 6,44
17	MSS17005	75	2,05	250 6,84
18	MSS18005	75	2,17	250 7,25
19	MSS19005	50	1,53	250 7,65
20	MSS20005	50	1,61	250 8,05
21	MSS21005	50	1,69	250 8,45
22	MSS22005	50	1,77	250 8,86
23	MSS23005	50	1,85	250 9,26
24	MSS24005	50	1,93	250 9,66
25	MSS25005	50	2,01	250 10,06



MSS_007 straight, modular

7.62 mm / .300" pitch				
Poles	Code	Pcs/pack.	W [kg]*	Pcs/Ind.** W [kg]*
02	MSS02007	300	1,07	1750 6,23
03	MSS03007	200	1,07	1500 8,01



MSS_006 straight, modular

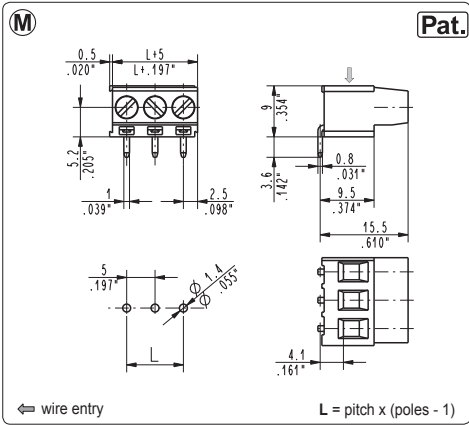
10.16 mm / .400" pitch				
Poles	Code	Pcs/pack.	W [kg]*	Pcs/Ind.** W [kg]*
01	MSS01006	450	0,82	2000 3,64
02	MSS02006	300	1,09	1750 6,37
03	MSS03006	175	0,96	1000 5,46
04	MSS04006	125	0,91	750 5,46
05	MSS05006	100	0,91	500 4,55
06	MSS06006	75	0,82	500 5,46
07	MSS07006	75	0,96	500 6,37
08	MSS08006	75	1,09	500 7,28
09	MSS09006	75	1,23	250 4,01
10	MSS10006	50	0,91	250 4,55
11	MSS11006	50	1,00	250 5,01
12	MSS12006	50	1,09	250 5,46
13	MSS13006	50	1,18	250 5,92

Distributed by:

www.texim-europe.com

*W [kg]: approximate weight per box in kg

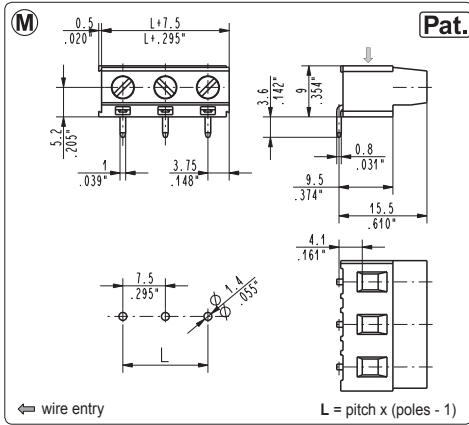
**Industrial packaging: add "-00000E" at standard code



MSS_091 90°, modular

5 mm / .197" pitch

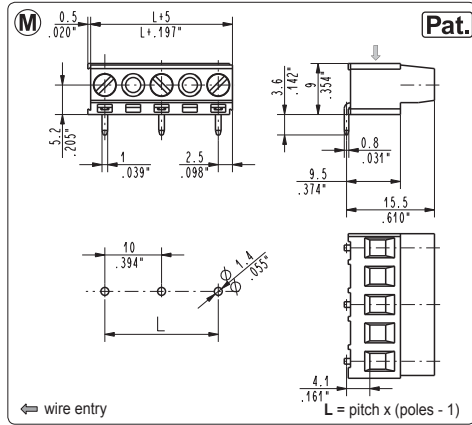
Poles	Code	Pcs/pack.	W [kg]*	Pcs/Ind.**	W [kg]*
02	MSS02091	900	2,90	2000	6,44
03	MSS03091	600	2,90	1750	8,45
04	MSS04091	400	2,58	1500	9,66
05	MSS05091	350	2,82	1000	8,05
06	MSS06091	300	2,90	750	7,25
07	MSS07091	250	2,82	750	8,45
08	MSS08091	200	2,58	750	9,66
09	MSS09091	175	2,54	500	7,25
10	MSS10091	175	2,82	500	8,05
11	MSS11091	150	2,66	500	8,86
12	MSS12091	150	2,90	500	9,66
13	MSS13091	75	1,57	500	10,47
14	MSS14091	75	1,69	250	5,64
15	MSS15091	75	1,81	250	6,04
16	MSS16091	75	1,93	250	6,44
17	MSS17091	75	2,05	250	6,84
18	MSS18091	75	2,17	250	7,25
19	MSS19091	50	1,53	250	7,65
20	MSS20091	50	1,61	250	8,05
21	MSS21091	50	1,69	250	8,45
22	MSS22091	50	1,77	250	8,86
23	MSS23091	50	1,85	250	9,26
24	MSS24091	50	1,93	250	9,66
25	MSS25091	50	2,01	250	10,06



MSS_093 90°, modular

7.5 mm / .295" pitch

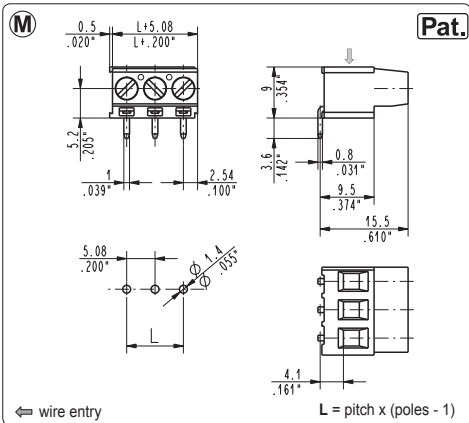
Poles	Code	Pcs/pack.	W [kg]*	Pcs/Ind.**	W [kg]*
02	MSS02093	300	1,07	1750	6,23
03	MSS03093	200	1,07	1500	8,01
04	MSS04093	150	1,07	1250	8,90



MSS_092 90°, modular

10 mm / .394" pitch

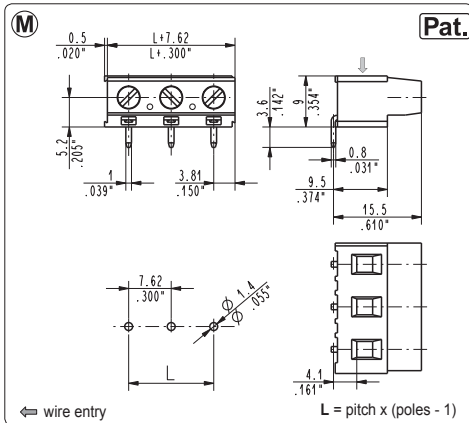
Poles	Code	Pcs/pack.	W [kg]*	Pcs/Ind.**	W [kg]*
01	MSS01092	450	0,82	2000	3,64
02	MSS02092	300	1,09	1750	6,37
03	MSS03092	175	0,96	1000	5,46
04	MSS04092	125	0,91	750	5,46
05	MSS05092	100	0,91	500	4,55
06	MSS06092	75	0,82	500	5,46
07	MSS07092	75	0,96	500	6,37
08	MSS08092	75	1,09	500	7,28
09	MSS09092	75	1,23	250	4,01
10	MSS10092	50	0,91	250	4,55
11	MSS11092	50	1,00	250	5,01
12	MSS12092	50	1,09	250	5,46
13	MSS13092	50	1,18	250	5,92



MSS_095 90°, modular

5.08 mm / .200" pitch

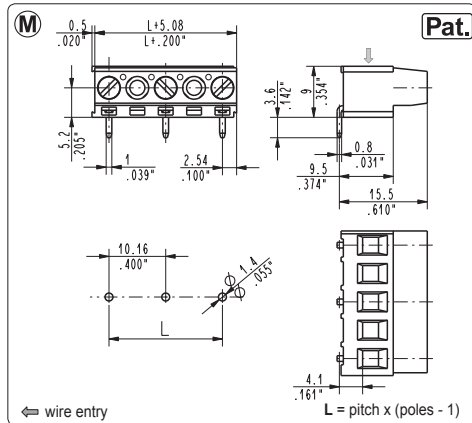
Poles	Code	Pcs/pack.	W [kg]*	Pcs/Ind.**	W [kg]*
02	MSS02095	900	2,90	2000	6,44
03	MSS03095	600	2,90	1750	8,45
04	MSS04095	400	2,58	1500	9,66
05	MSS05095	350	2,82	1000	8,05
06	MSS06095	300	2,90	750	7,25
07	MSS07095	250	2,82	750	8,45
08	MSS08095	200	2,58	750	9,66
09	MSS09095	175	2,54	500	7,25
10	MSS10095	175	2,82	500	8,05
11	MSS11095	150	2,66	500	8,86
12	MSS12095	150	2,90	500	9,66
13	MSS13095	75	1,57	500	10,47
14	MSS14095	75	1,69	250	5,64
15	MSS15095	75	1,81	250	6,04
16	MSS16095	75	1,93	250	6,44
17	MSS17095	75	2,05	250	6,84
18	MSS18095	75	2,17	250	7,25
19	MSS19095	50	1,53	250	7,65
20	MSS20095	50	1,61	250	8,05
21	MSS21095	50	1,69	250	8,45
22	MSS22095	50	1,77	250	8,86
23	MSS23095	50	1,85	250	9,26
24	MSS24095	50	1,93	250	9,66
25	MSS25095	50	2,01	250	10,06



MSS_097 90°, modular

7.62 mm / .300" pitch

Poles	Code	Pcs/pack.	W [kg]*	Pcs/Ind.**	W [kg]*
02	MSS02097	300	1,07	1750	6,23
03	MSS03097	200	1,07	1500	8,01



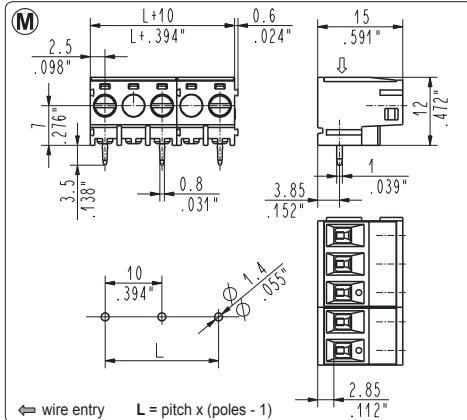
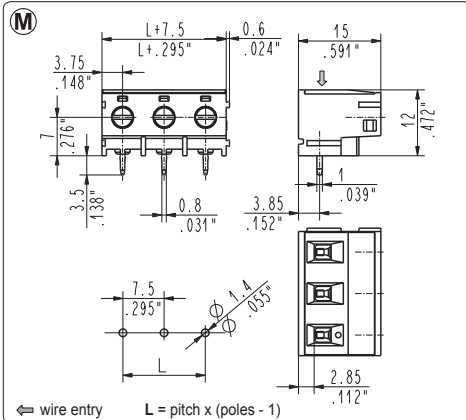
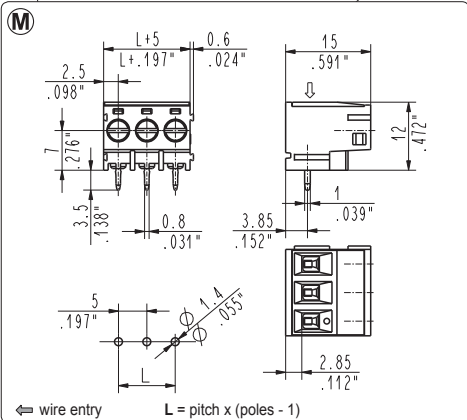
MSS_096 90°, modular

10.16 mm / .400" pitch

Poles	Code	Pcs/pack.	W [kg]*	Pcs/Ind.**	W [kg]*
01	MSS01096	450	0,82	2000	3,64
02	MSS02096	300	1,09	1750	6,37
03	MSS03096	175	0,96	1000	5,46
04	MSS04096	125	0,91	750	5,46
05	MSS05096	100	0,91	500	4,55
06	MSS06096	75	0,82	500	5,46
07	MSS07096	75	0,96	500	6,37
08	MSS08096	75	1,09	500	7,28
09	MSS09096	75	1,23	250	4,01
10	MSS10096	50	0,91	250	4,55
11	MSS11096	50	1,00	250	5,01
12	MSS12096	50	1,09	250	5,46
13	MSS13096	50	1,18	250	5,92

Distributed by:





MSS_TM1 90° "T" version, modular

5 mm / .197" pitch

Poles	Code	Pcs/pack.	W [kg]*	Pcs/Ind.**	W [kg]*
02	MSS02TM1	900	3,24	1500	5,40
03	MSS03TM1	600	3,24	1000	5,40
04	MSS04TM1	400	2,88	750	5,40
05	MSS05TM1	350	3,15	750	6,75
06	MSS06TM1	300	3,24	500	5,40
07	MSS07TM1	250	3,15	500	6,30
08	MSS08TM1	200	2,88	500	7,20
09	MSS09TM1	175	2,84	250	4,05
10	MSS10TM1	175	3,15	250	4,50
11	MSS11TM1	150	2,97	250	4,95
12	MSS12TM1	150	3,24	250	5,40

MSS_TM3 90° "T" version, modular

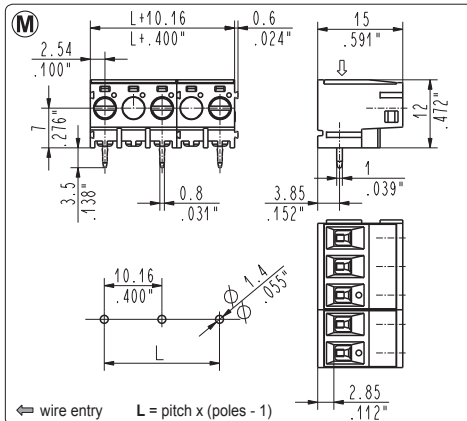
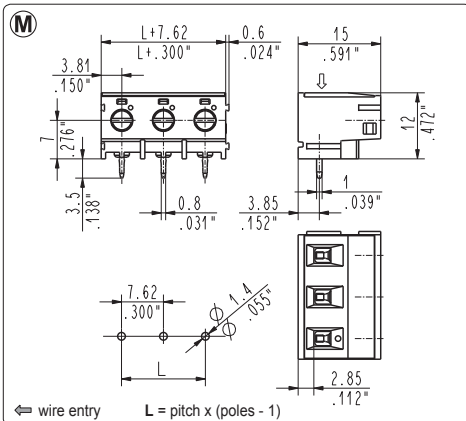
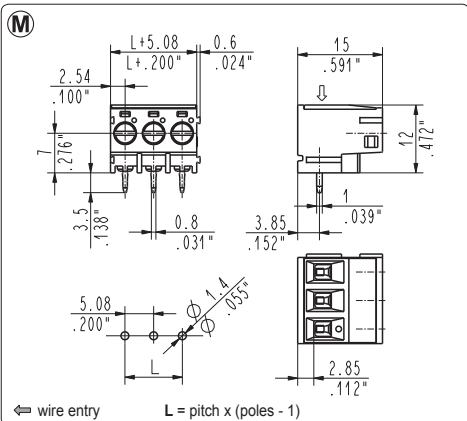
7.5 mm / .295" pitch

Poles	Code	Pcs/pack.	W [kg]*	Pcs/Ind.**	W [kg]*
02	MSS02TM3	300	1,26	1000	4,20
03	MSS03TM3	200	1,26	750	4,73

MSS_TM2 90° "T" version, modular

10 mm / .394" pitch

Poles	Code	Pcs/pack.	W [kg]*	Pcs/Ind.**	W [kg]*
01	MSS01TM2	450	0,95	1500	3,18
02	MSS02TM2	300	1,27	1000	4,24
03	MSS03TM2	175	1,11	750	4,77
04	MSS04TM2	125	1,06	500	4,24
05	MSS05TM2	100	1,06	250	2,65
06	MSS06TM2	75	0,95	250	3,18



MSS_TM5 90° "T" version, modular

5.08 mm / .200" pitch

Poles	Code	Pcs/pack.	W [kg]*	Pcs/Ind.**	W [kg]*
02	MSS02TM5	900	3,24	1500	5,40
03	MSS03TM5	600	3,24	1000	5,40

MSS_TM7 90° "T" version, modular

7.62 mm / .300" pitch

Poles	Code	Pcs/pack.	W [kg]*	Pcs/Ind.**	W [kg]*
02	MSS02TM7	300	1,26	1000	4,20
03	MSS03TM7	200	1,26	750	4,73

MSS_TM6 90° "T" version, modular

10.16 mm / .400" pitch

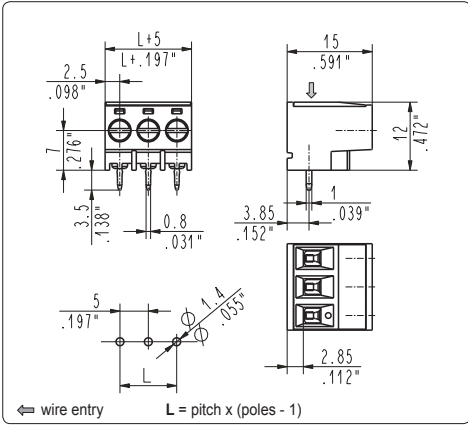
Poles	Code	Pcs/pack.	W [kg]*	Pcs/Ind.**	W [kg]*
01	MSS01TM6	450	0,95	1000	2,12
02	MSS02TM6	300	1,27	750	3,18

Distributed by:



*W [kg]: approximate weight per box in kg

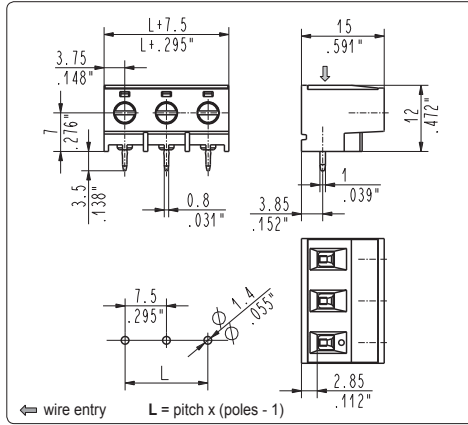
**Industrial packaging: add "-00000E" at standard code



MSS_TA1 90° "T" version, side stackable

5 mm / .197" pitch

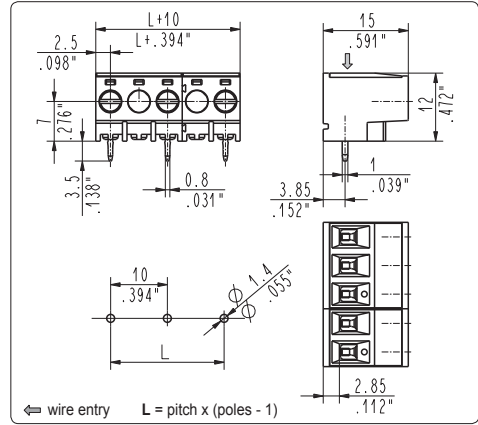
Poles	Code	Pcs/pack.	W [kg]*	Pcs/Ind.**	W [kg]*
02	MSS02TA1	900	3,24	1500	5,40
03	MSS03TA1	600	3,24	1000	5,40
04	MSS04TA1	400	2,88	750	5,40
05	MSS05TA1	350	3,15	750	6,75
06	MSS06TA1	300	3,24	500	5,40
07	MSS07TA1	250	3,15	500	6,30
08	MSS08TA1	200	2,88	500	7,20
09	MSS09TA1	175	2,84	250	4,05
10	MSS10TA1	175	3,15	250	4,50
11	MSS11TA1	150	2,97	250	4,95
12	MSS12TA1	150	3,24	250	5,40



MSS_TA3 90° "T" version, side stackable

7.5 mm / .295" pitch

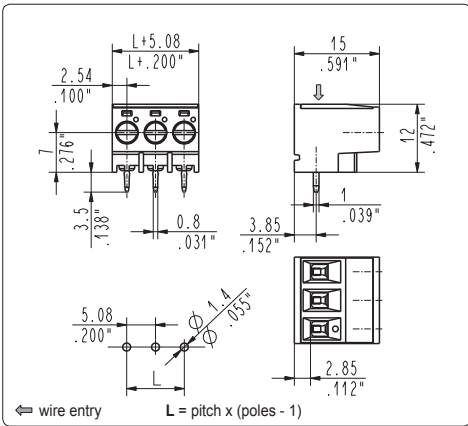
Poles	Code	Pcs/pack.	W [kg]*	Pcs/Ind.**	W [kg]*
02	MSS02TA3	300	1,26	1000	4,20
03	MSS03TA3	200	1,26	750	4,73



MSS_TA2 90° "T" version, side stackable

10 mm / .394" pitch

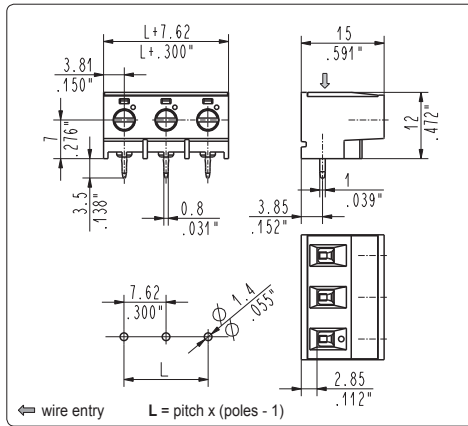
Poles	Code	Pcs/pack.	W [kg]*	Pcs/Ind.**	W [kg]*
02	MSS02TA2	300	1,27	1000	4,24
03	MSS03TA2	175	1,11	750	4,77
04	MSS04TA2	125	1,06	500	4,24
05	MSS05TA2	100	1,06	250	2,65
06	MSS06TA2	75	0,95	250	3,18



MSS_TA5 90° "T" version, side stackable

5.08 mm / .200" pitch

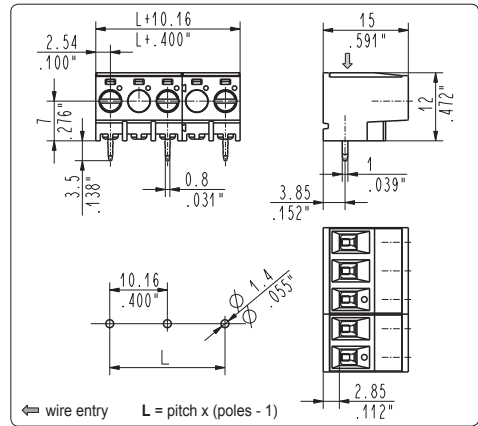
Poles	Code	Pcs/pack.	W [kg]*	Pcs/Ind.**	W [kg]*
02	MSS02TA5	900	3,24	1500	5,40
03	MSS03TA5	600	3,24	1000	5,40
04	MSS04TA5	400	2,88	750	5,40
05	MSS05TA5	350	3,15	750	6,75
06	MSS06TA5	300	3,24	500	5,40
07	MSS07TA5	250	3,15	500	6,30
08	MSS08TA5	200	2,88	500	7,20



MSS_TA7 90° "T" version, side stackable

7.62 mm / .300" pitch

Poles	Code	Pcs/pack.	W [kg]*	Pcs/Ind.**	W [kg]*
02	MSS02TA7	300	1,26	1000	4,20
03	MSS03TA7	200	1,26	750	4,73



MSS_TA6 90° "T" version, side stackable

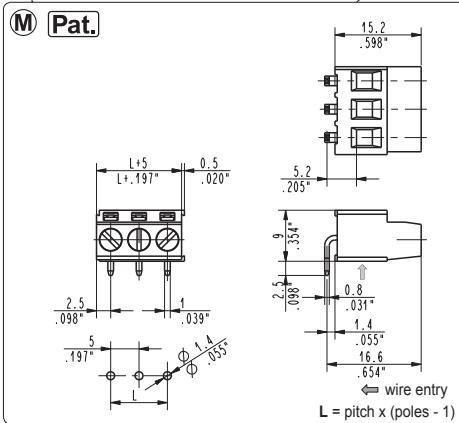
10.16 mm / .400" pitch

Poles	Code	Pcs/pack.	W [kg]*	Pcs/Ind.**	W [kg]*
02	MSS02TA6	500	2,12	1000	4,24
03	MSS03TA6	400	2,54	750	4,77
04	MSS04TA6	300	2,54	500	4,24

Distributed by:

TEXIM
EUROPE

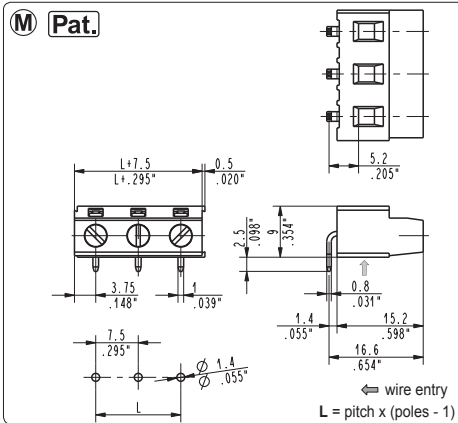
www.texim-europe.com



MSS_051 270° bottom entry, modular

5 mm / .197" pitch

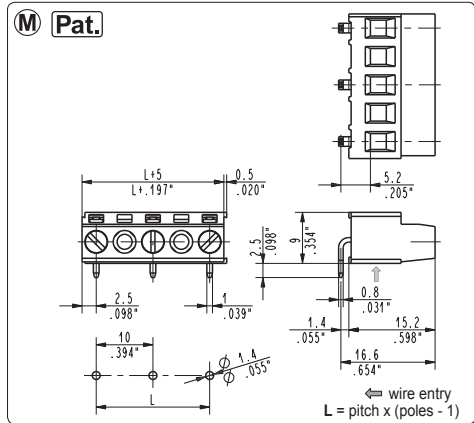
Poles	Code	Pcs/pack.	W [kg]*	Pcs/Ind.**	W [kg]*
02	MSS02051	900	2,90	2000	6,44
03	MSS03051	600	2,90	1750	8,45
04	MSS04051	400	2,58	1500	9,66
05	MSS05051	350	2,82	1000	8,05
06	MSS06051	300	2,90	750	7,25
07	MSS07051	250	2,82	750	8,45
08	MSS08051	200	2,58	750	9,66
09	MSS09051	175	2,54	500	7,25
10	MSS10051	175	2,82	500	8,05
11	MSS11051	150	2,66	500	8,86
12	MSS12051	150	2,90	500	9,66
13	MSS13051	75	1,57	500	10,47
14	MSS14051	75	1,69	250	5,64
15	MSS15051	75	1,81	250	6,04
16	MSS16051	75	1,93	250	6,44
17	MSS17051	75	2,05	250	6,84
18	MSS18051	75	2,17	250	7,25
19	MSS19051	50	1,53	250	7,65
20	MSS20051	50	1,61	250	8,05
21	MSS21051	50	1,69	250	8,45
22	MSS22051	50	1,77	250	8,86
23	MSS23051	50	1,85	250	9,26
24	MSS24051	50	1,93	250	9,66
25	MSS25051	50	2,01	250	10,06



MSS_053 270° bottom entry, modular

7.5 mm / .295" pitch

Poles	Code	Pcs/pack.	W [kg]*	Pcs/Ind.**	W [kg]*
02	MSS02053	300	1,07	1750	6,23
03	MSS03053	200	1,07	1500	8,01
04	MSS04053	150	1,07	1250	8,90

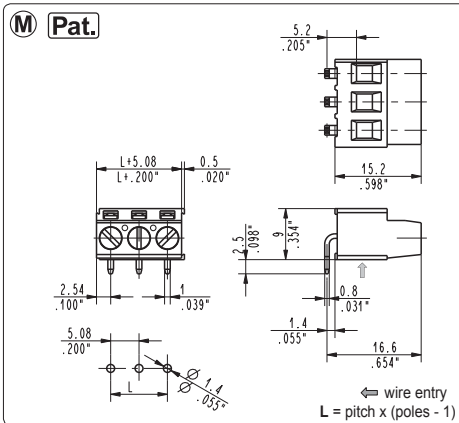


MSS_052 270° bottom entry, modular

10 mm / .394" pitch

Poles	Code	Pcs/pack.	W [kg]*	Pcs/Ind.**	W [kg]*
01	MSS01052	450	0,82	2000	3,64
02	MSS02052	300	1,09	1750	6,37
03	MSS03052	175	0,96	1000	5,46
04	MSS04052	125	0,91	750	5,46
05	MSS05052	100	0,91	500	4,55
06	MSS06052	75	0,82	500	5,46
07	MSS07052	75	0,96	500	6,37
08	MSS08052	75	1,09	500	7,28
09	MSS09052	75	1,23	250	4,01
10	MSS10052	50	0,91	250	4,55
11	MSS11052	50	1,00	250	5,01
12	MSS12052	50	1,09	250	5,46
13	MSS13052	50	1,18	250	5,92

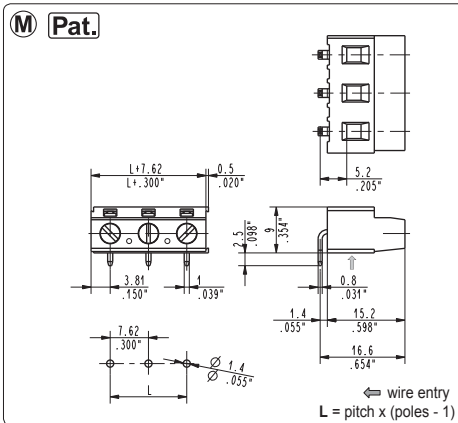
TERMINAL BLOCKS



MSS_055 270° bottom entry, modular

5.08 mm / .200" pitch

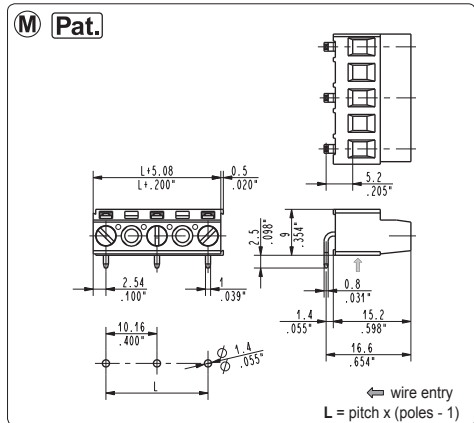
Poles	Code	Pcs/pack.	W [kg]*	Pcs/Ind.**	W [kg]*
02	MSS02055	900	2,90	2000	6,44
03	MSS03055	600	2,90	1750	8,45
04	MSS04055	400	2,58	1500	9,66
05	MSS05055	350	2,82	1000	8,05
06	MSS06055	300	2,90	750	7,25
07	MSS07055	250	2,82	750	8,45
08	MSS08055	200	2,58	750	9,66
09	MSS09055	175	2,54	500	7,25
10	MSS10055	175	2,82	500	8,05
11	MSS11055	150	2,66	500	8,86
12	MSS12055	150	2,90	500	9,66
13	MSS13055	75	1,57	500	10,47
14	MSS14055	75	1,69	250	5,64
15	MSS15055	75	1,81	250	6,04
16	MSS16055	75	1,93	250	6,44
17	MSS17055	75	2,05	250	6,84
18	MSS18055	75	2,17	250	7,25
19	MSS19055	50	1,53	250	7,65
20	MSS20055	50	1,61	250	8,05
21	MSS21055	50	1,69	250	8,45
22	MSS22055	50	1,77	250	8,86
23	MSS23055	50	1,85	250	9,26
24	MSS24055	50	1,93	250	9,66
25	MSS25055	50	2,01	250	10,06



MSS_057 270° bottom entry, modular

7.62 mm / .300" pitch

Poles	Code	Pcs/pack.	W [kg]*	Pcs/Ind.**	W [kg]*
02	MSS02057	300	1,07	1750	6,23
03	MSS03057	200	1,07	1500	8,01



MSS_056 270° bottom entry, modular

10.16 mm / .400" pitch

Poles	Code	Pcs/pack.	W [kg]*	Pcs/Ind.**	W [kg]*
01	MSS01056	450	0,82	2000	3,64
02	MSS02056	300	1,09	1750	6,37
03	MSS03056	175	0,96	1000	5,46
04	MSS04056	125	0,91	750	5,46
05	MSS05056	100	0,91	500	4,55
06	MSS06056	75	0,82	500	5,46
07	MSS07056	75	0,96	500	6,37
08	MSS08056	75	1,09	500	7,28
09	MSS09056	75	1,23	250	4,01
10	MSS10056	50	0,91	250	4,55
11	MSS11056	50	1,00	250	5,01
12	MSS12056	50	1,09	250	5,46
13	MSS13056	50	1,18	250	5,92

WWW.SAURO.NET

SAURO ELECTRONIC CONNECTORS

Distributed by:

www.texim-europe.com

*W [kg]: approximate weight per box in kg

**Industrial packaging: add "-00000E" at standard code

TEXIM EUROPE

Partner in Electronic Components & Supply Chain Solutions



The Netherlands

Elektrostraat 17
NL-7483 PG Haaksbergen
Tel: +31 (0)53 573 33 33
Fax: +31 (0)53 573 33 30
nl@texim-europe.com



Denmark

Nørregade 15
DK-9240 Nibe
Tel: +45 88 20 26 30
Fax: +45 88 20 26 39
nordic@texim-europe.com



Belgium

Gentsesteenweg 1154-C22
Chaussée de Gand 1154-C22
B-1082 Brussel / Bruxelles
Tel: +32 (0)2 462 01 00
Fax: +32 (0)2 462 01 25
belgium@texim-europe.com



United Kingdom

St. Mary's House, Church Lane
Carlton Le Moorland
Lincoln LN5 9HS
Tel: +44 (0)1522 789 555
Fax: +44 (0)845 299 22 26
uk@texim-europe.com



Germany

Justus-von-Liebig-Ring 7-9
D-25451 Quickborn
Tel: +49 (0)4106 627 07-0
Fax: +49 (0)4106 627 07-20
germany@texim-europe.com



Germany

Martin-Kollar-Strasse 9
D-81829 München
Tel: +49 (0)89 436 086-0
Fax: +49 (0)89 436 086-19
germany@texim-europe.com



Austria

Warwitzstrasse 9
A-5020 Salzburg
Tel: +43 (0)662 216026
Fax: +43 (0)662 216026-66
austria@texim-europe.com

Texim Europe B.V.

Elektrostraat 17
NL-7483 PG Haaksbergen
Tel: +31 (0)53 573 33 33
info@texim-europe.com
www.texim-europe.com

