



GREEN ELECTRONICS



**MTB**

Terminal Blocks and Connectors for Printed Circuit Boards



ISO  
9001



ISO  
14001



BS OHSAS  
18001:2007

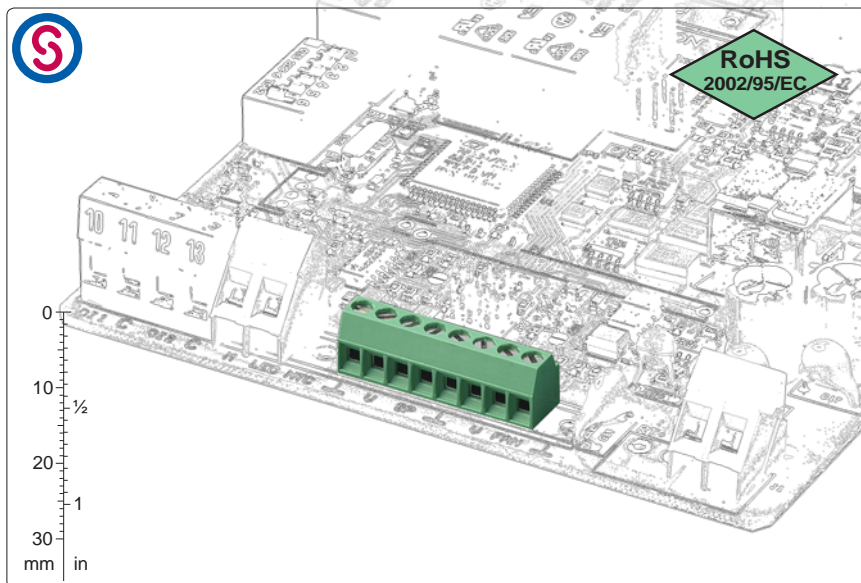
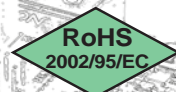


**SAURO**<sup>®</sup>  
**ELECTRONIC CONNECTORS**  
*— by the law —*

Distributed by:



[www.texim-europe.com](http://www.texim-europe.com)

**Functional characteristics****Dimensional class:***low***Standard colour:***green***Height:***8.5 mm (.335 in)***Max approved wire sections:***solid: 1.5 mm<sup>2</sup> (IMQ); 16 AWG (UL)**stranded: 1 mm<sup>2</sup> (IMQ); 16 AWG (UL)***Clamp opening size:***1.65 x 1.7 mm (.065 x .067 in)***Versions:***side stackable**modular***Single mould poles:***from 2 to 25***Pitches:***metric 3.5 mm, 7 mm**(.138 in, .275 in)**imperial 3.81 mm, 7.62 mm**(.150 in, .300 in)***Solderable at a temperature up to***270°C / 518°F**side stackable, straight**side stackable, straight  
with VDE pegs***S** 270°C  
*side stackable, straight***S** 270°C  
*modular, straight***S** 270°C  
*side stackable, 55°***S** 270°C  
*modular, 55°***Brief description**

Although the **MTB** series of terminal blocks is small in size it offers a **high connection capacity**; in fact wires up to **1.5 mm<sup>2</sup> (16 AWG)** can be used and consequently a certified current range of **17.5A can be reached**.

It is available in 3.5 mm (.138 in) and 7 mm (.275 in) metric pitches and in 3.81 mm (.100 in) and 7.62 mm (.300 in) Imperial pitches, in monolithic blocks from 2 to 25 poles, in both the side-stackable and modular versions, with insertion of the wire parallel to the PCB or inclined at 55°.

The basic monolithic terminal boards can be side-stacked or mounted on the PCB in order to obtain any number of poles without losing the pitch; by taking advantage of this particular feature a minimum stock of basic terminal blocks can be kept.

It is simple to manage the product, the warehouse and the assembly with the **Kit packages** because several versions can be received with only one code, the part-numbers are significantly reduced and the risk of making mistakes is also reduced.

**MTB with pegs**

The straight 2 pole MTB is also available with clamping pegs moulded in the plastic housing to secure it to the PCB.

With this solution the nominal tightening torque can be applied and the most restrictive guidelines set by the international standards (VDE) are passed.

Distributed by:



## Characteristics of components

M2 nickel plated copper alloy screw.

PA 6.6 polyamide housing.

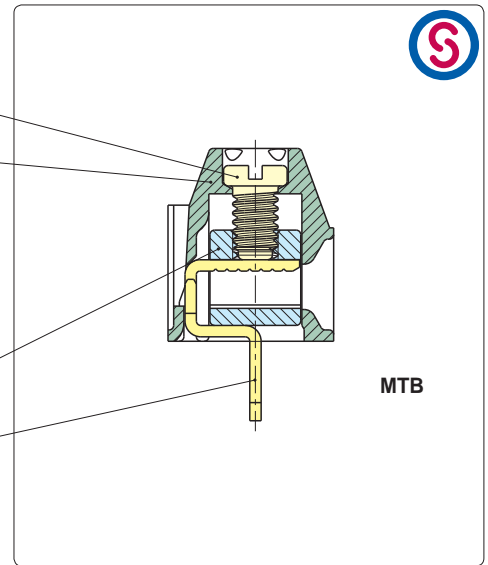
Standard colour: GREEN.

V0 self-extinguishing according to UL 94.

Chlorinated solvents resistant,  
with no phosphor, dioxin or  
detrimental to health halogens.

Nickel plated copper alloy clamp

Easy to solder lead-free  
tin-plated copper alloy pin.



## Mechanical characteristics

Recommended/highest tightening torque	0.2/0.25 Nm (1.77/2.21 lbf-in)
PCB thickness:	max. 2.4 mm (.094 in)
PCB hole diameter:	min. 1.1 mm (.043 in)
Stripping length	5÷6 mm (.197 in)
Operating temperature range	-40 °C ÷ +110 °C (-40 °F ÷ +230 °F)
Climatic category	40/110/21 According to EN 60068-1

## Electric characteristics\*

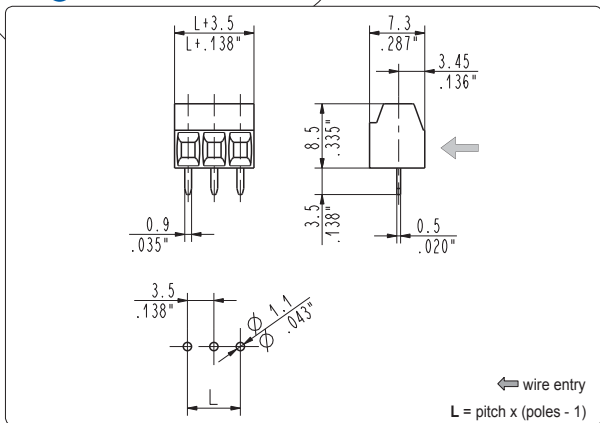
Solid wire section	28÷16 AWG (UL)* 0.05÷1.5 mm <sup>2</sup> (IMQ)*
Stranded wire section	28÷16 AWG (UL)* 0.05÷1 mm <sup>2</sup> (IMQ)*
Rated voltage for 3.5 mm (.100 in) and 3.81 mm (.150 in)	300 V (UL)*
Rated voltage for 7 mm (.275 in) and 7.62 mm (.300 in)	750 V (IMQ)*
Rated current	17.5 A (IMQ)*
Contact resistance	<15 mΩ
Insulation resistance	>10 <sup>9</sup> Ω (500V DC)

\*All the above mentioned data refer to the highest values amongst the certificated ones.  
V voltage, I current values and tightening torque are related to the norms to be applied to the product and to its use.

## Approvals

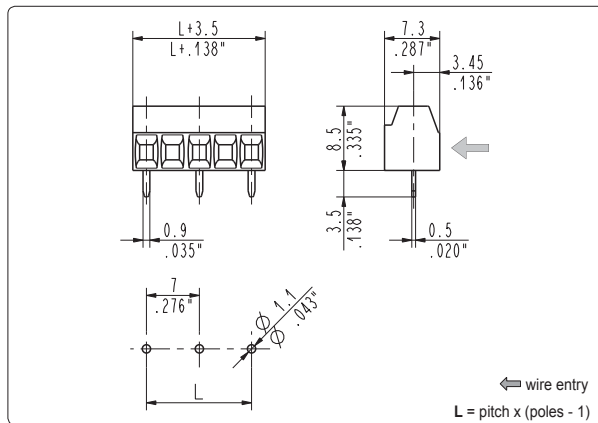
IEC-EN	IEC:	130 V - T 110 - 17.5 A - 1.5 mm <sup>2</sup> solid (12 A - 1 mm <sup>2</sup> stranded) for 3.5 mm and 3.81 mm pitch
	EN 60998	750 V - T 110 - 17.5 A - 1.5 mm <sup>2</sup> solid (12 A - 1 mm <sup>2</sup> stranded) for 7 mm and 7.62 mm pitch
UL	UL:	300 V - 12A factory wiring (10 A field wiring) - 28÷16 AWG - 2.7 lbf-in for for 3.5 mm, 3.81 mm, 7 mm and 7.62 mm pitch
	File E167473	Application values for end-use equipment have to be in accordance to UL norms and applicable to it.
VDE	VDE:	130 V - 12 A - T 110 - 1 mm <sup>2</sup> for 3.5 mm and 3.81 mm mm pitch
	File n. 40021761	450 V - 12 A - T 110 - 1 mm <sup>2</sup> for 7 mm and 7.62 mm pitch
IMQ	IMQ:	130 V - T 110 - 17.5 A - 1.5 mm <sup>2</sup> solid (12 A - 1 mm <sup>2</sup> stranded) for 3.5 mm and 3.81 mm pitch
	File: CA02.00900	750 V - T 110 - 17.5 A - 1.5 mm <sup>2</sup> solid (12 A - 1 mm <sup>2</sup> stranded) for 7 mm and 7.62 mm pitch





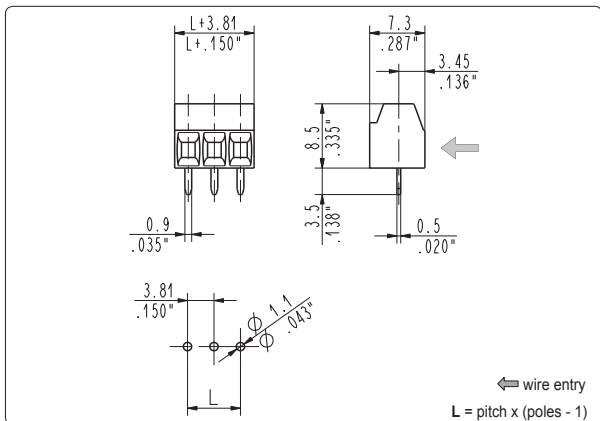
**MTB\_008** straight, side stackable

3.5 mm / .138" pitch					
Poles	Code	Pcs/pack.	W [kg]*	Pcs/Ind.**	W [kg]*
02	MTB02008	800	1,17	5000	7,30
03	MTB03008	500	1,01	3500	7,67
04	MTB04008	350	1,02	2500	7,30
05	MTB05008	275	1,00	2000	7,30
06	MTB06008	225	0,99	1500	6,57
07	MTB07008	175	0,89	1500	7,67
08	MTB08008	175	1,02	1250	7,30
09	MTB09008	150	0,99	1250	8,21
10	MTB10008	125	0,91	1000	7,30
11	MTB11008	125	1,00	1000	8,03
12	MTB12008	100	0,88	750	6,57
13	MTB13008	100	0,95	750	7,12
14	MTB14008	100	1,02	750	7,67
15	MTB15008	100	1,01	750	8,21
16	MTB16008	100	1,17	750	8,76
17	MTB17008	75	0,93	500	6,21
18	MTB18008	75	0,99	500	6,57
19	MTB19008	75	1,04	500	6,94
20	MTB20008	75	1,01	500	7,30
21	MTB21008	75	1,15	500	7,67
22	MTB22008	75	1,20	500	8,03
23	MTB23008	75	1,26	500	8,40
24	MTB24008	50	0,88	250	4,38
25	MTB25008	50	0,91	250	4,56



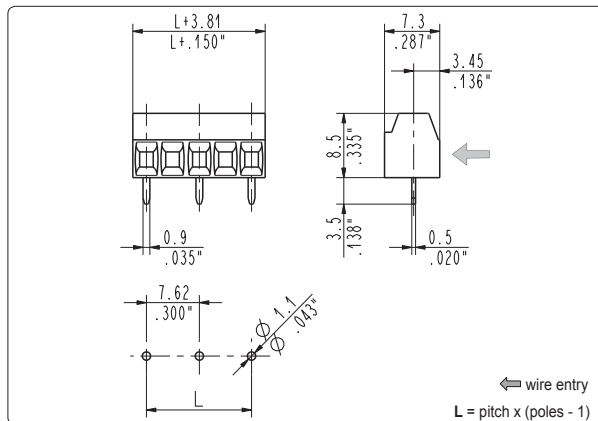
**MTB\_009** straight, side stackable

7 mm / .276" pitch					
Poles	Code	Pcs/pack.	W [kg]*	Pcs/Ind.**	W [kg]*
02	MTB02009	500	0,83	5000	8,30
03	MTB03009	275	0,68	3500	8,72
04	MTB04009	200	0,66	1500	4,98
05	MTB05009	150	0,62	1250	5,19
06	MTB06009	125	0,62	1250	6,23
07	MTB07009	100	0,58	1000	5,81
08	MTB08009	100	0,66	1000	6,64
09	MTB09009	75	0,56	750	5,60
10	MTB10009	75	0,62	750	6,23
11	MTB11009	75	0,68	750	6,85
12	MTB12009	50	0,50	500	4,98
13	MTB13009	50	0,54	500	5,40



**MTB\_00T** straight, side stackable

3.81 mm / .150" pitch					
Poles	Code	Pcs/pack.	W [kg]*	Pcs/Ind.**	W [kg]*
02	MTB0200T	800	1,17	5000	7,30
03	MTB0300T	500	1,01	3500	7,67
04	MTB0400T	350	1,02	2500	7,30
05	MTB0500T	275	1,00	2000	7,30
06	MTB0600T	225	0,99	1500	6,57
07	MTB0700T	175	0,89	1500	7,67
08	MTB0800T	175	1,02	1250	7,30
09	MTB0900T	150	0,99	1250	8,21
10	MTB1000T	125	0,91	1000	7,30
11	MTB1100T	125	1,00	1000	8,03
12	MTB1200T	100	0,88	750	6,57
13	MTB1300T	100	0,95	750	7,12
14	MTB1400T	100	1,02	750	7,67
15	MTB1500T	100	1,01	750	8,21
16	MTB1600T	100	1,17	750	8,76
17	MTB1700T	75	0,93	500	6,21
18	MTB1800T	75	0,99	500	6,57
19	MTB1900T	75	1,04	500	6,94
20	MTB2000T	75	1,01	500	7,30
21	MTB2100T	75	1,15	500	7,67
22	MTB2200T	75	1,20	500	8,03
23	MTB2300T	75	1,26	500	8,40
24	MTB2400T	50	0,88	250	4,38
25	MTB2500T	50	0,91	250	4,56



**MTB\_007** straight, side stackable

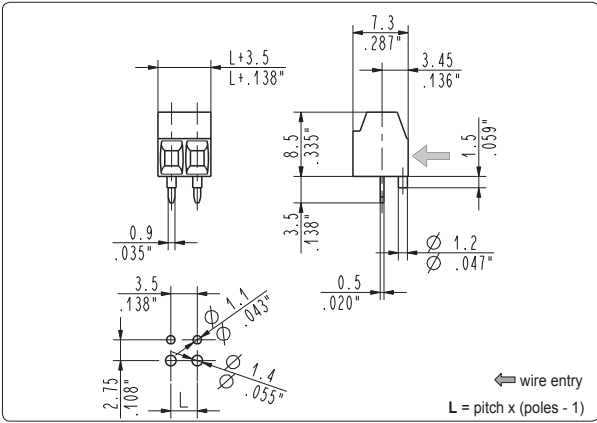
7.62 mm / .300" pitch					
Poles	Code	Pcs/pack.	W [kg]*	Pcs/Ind.**	W [kg]*
02	MTB02007	500	0,83	5000	8,30
03	MTB03007	275	0,68	3500	8,72
04	MTB04007	200	0,66	1500	4,98
05	MTB05007	150	0,62	1250	5,19
06	MTB06007	125	0,62	1250	6,23
07	MTB07007	100	0,58	1000	5,81
08	MTB08007	100	0,66	1000	6,64
09	MTB09007	75	0,56	750	5,60
10	MTB10007	75	0,62	750	6,23
11	MTB11007	75	0,68	750	6,85
12	MTB12007	50	0,50	500	4,98
13	MTB13007	50	0,54	500	5,40

Distributed by:

www.texim-europe.com

\*W [kg]: approximate weight per box in kg

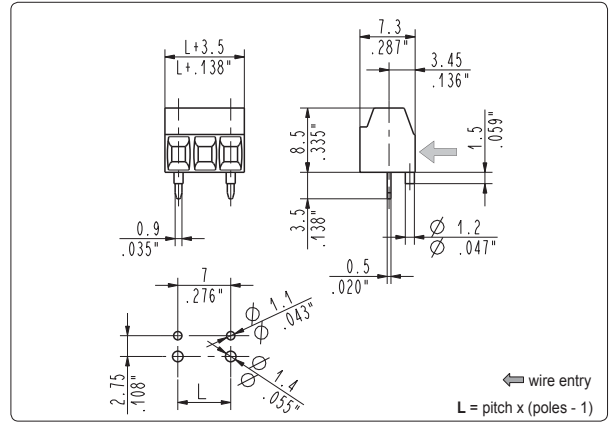
\*\*Industrial packaging: add "-00000E" at standard code



**MTB\_008-0000P** straight, side stackable with VDE pegs

3.5 mm / .138" pitch

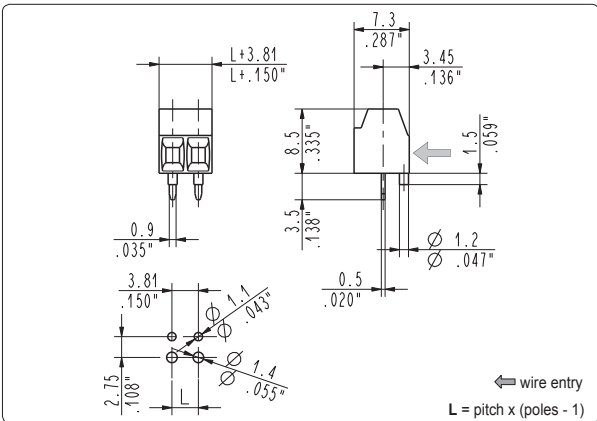
Poles	Code	Pcs/pack.	W [kg]*	Pcs/Ind.**	W [kg]*
02	MTB02008-0000P	800	1,17	5000	7,30
03	MTB03008-0000P	500	1,01	3500	7,67



**MTB\_009-0000P** straight, side stackable with VDE pegs

7 mm / .276" pitch

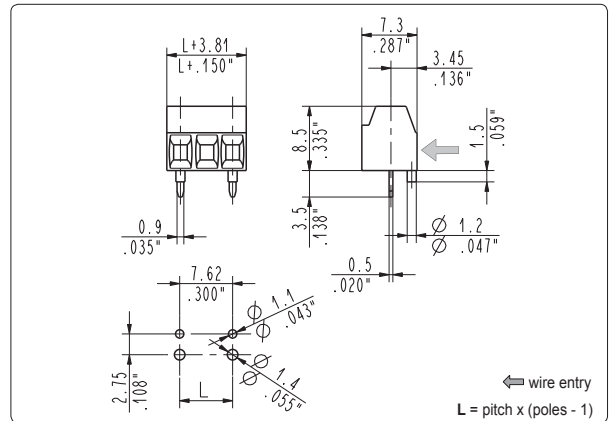
Poles	Code	Pcs/pack.	W [kg]*	Pcs/Ind.**	W [kg]*
02	MTB02009-0000P	500	0,83	4000	6,64
03	MTB03009-0000P	275	0,68	3500	8,72



**MTB\_00T-0000P** straight, side stackable with VDE pegs

3.81 mm / .150" pitch

Poles	Code	Pcs/pack.	W [kg]*	Pcs/Ind.**	W [kg]*
02	MTB0200T-0000P	800	1,17	5000	7,30
03	MTB0300T-0000P	500	1,01	3500	7,67



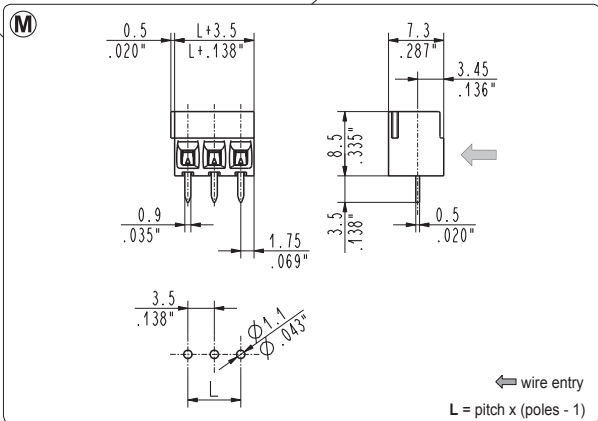
**MTB\_007-0000P** straight, side stackable with VDE pegs

7.62 mm / .300" pitch

Poles	Code	Pcs/pack.	W [kg]*	Pcs/Ind.**	W [kg]*
02	MTB02007-0000P	500	0,83	4000	6,64
03	MTB03007-0000P	275	0,68	3500	8,72

Distributed by:

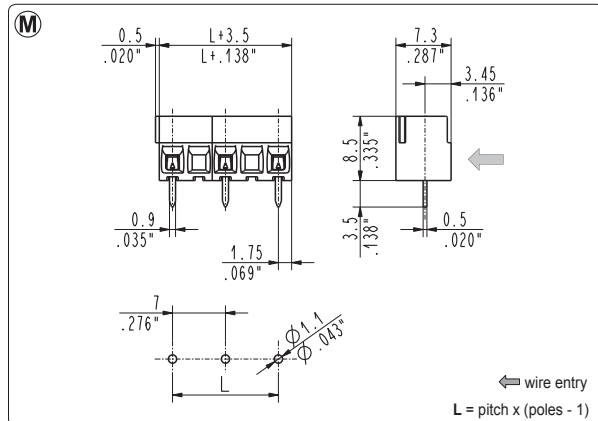
www.texim-europe.com



**MTB\_0M8** straight, modular

**3.5 mm / .138" pitch**

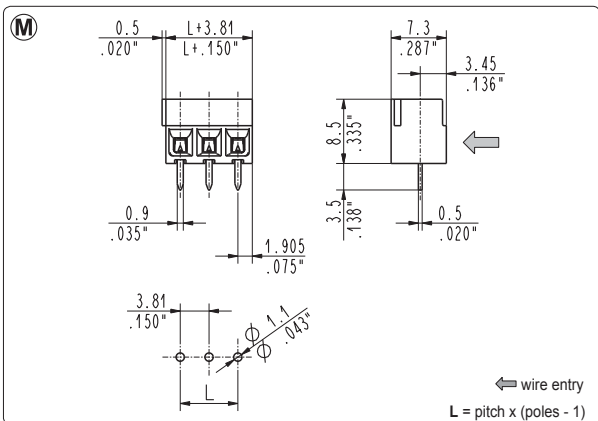
Poles	Code	Pcs/pack.	W [kg]*	Pcs/Ind.**	W [kg]*
02	MTB020M8	800	1,17	5000	7,30
03	MTB030M8	500	1,01	3500	7,67
04	MTB040M8	350	1,02	2500	7,30
05	MTB050M8	275	1,00	2000	7,30
06	MTB060M8	225	0,99	1500	6,57
07	MTB070M8	175	0,89	1500	7,67
08	MTB080M8	175	1,02	1250	7,30
09	MTB090M8	150	0,99	1250	8,21
10	MTB100M8	125	0,91	1000	7,30
11	MTB110M8	125	1,00	1000	8,03
12	MTB120M8	100	0,88	750	6,57



**MTB\_0M9** straight, modular

**7 mm / .276" pitch**

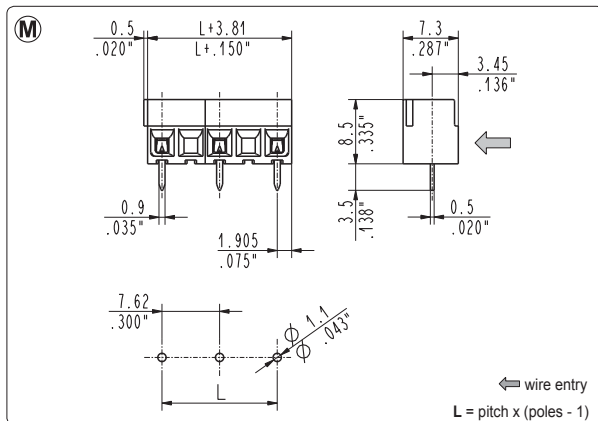
Poles	Code	Pcs/pack.	W [kg]*	Pcs/Ind.**	W [kg]*
01	MTB010M9	800	0,66	4000	3,32
02	MTB020M9	500	0,83	2500	4,15
03	MTB030M9	275	0,68	1500	3,74
04	MTB040M9	200	0,66	1250	4,15
05	MTB050M9	150	0,62	1250	5,19
06	MTB060M9	125	0,62	1000	4,98



**MTB\_0MT** straight, modular

**3.81 mm / .150" pitch**

Poles	Code	Pcs/pack.	W [kg]*	Pcs/Ind.**	W [kg]*
02	MTB020MT	800	1,17	5000	7,30
03	MTB030MT	500	1,01	3500	7,67
04	MTB040MT	350	1,02	2500	7,30
05	MTB050MT	275	1,00	2000	7,30
06	MTB060MT	225	0,99	1500	6,57
07	MTB070MT	175	0,89	1500	7,67
08	MTB080MT	175	1,02	1250	7,30
09	MTB090MT	150	0,99	1250	8,21
10	MTB100MT	125	0,91	1000	7,30
11	MTB110MT	125	1,00	1000	8,03
12	MTB120MT	100	0,88	750	6,57



**MTB\_0M7** straight, modular

**7.62 mm / .300" pitch**

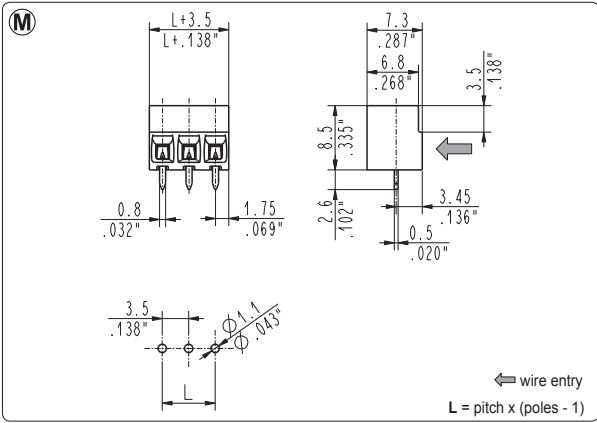
Poles	Code	Pcs/pack.	W [kg]*	Pcs/Ind.**	W [kg]*
01	MTB010M7	800	0,66	4000	3,32
02	MTB020M7	500	0,83	2500	4,15
03	MTB030M7	275	0,68	1500	3,74
04	MTB040M7	200	0,66	1250	4,15
05	MTB050M7	150	0,62	1250	5,19
06	MTB060M7	125	0,62	1000	4,98

Distributed by:



\*W [kg]: approximate weight per box in kg

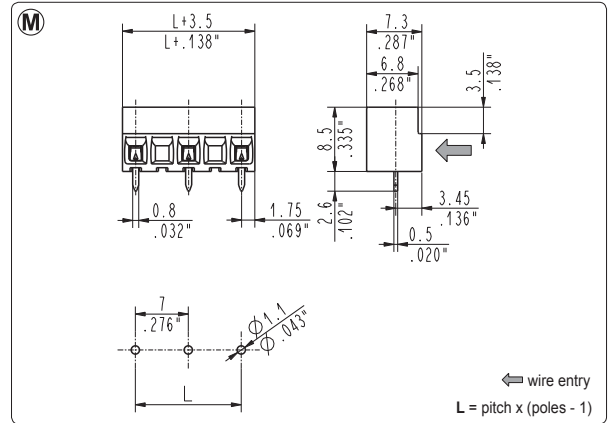
\*\*Industrial packaging: add "-00000E" at standard code



**MTBH\_008-0N** straight, side stackable

3.5 mm / .138" pitch

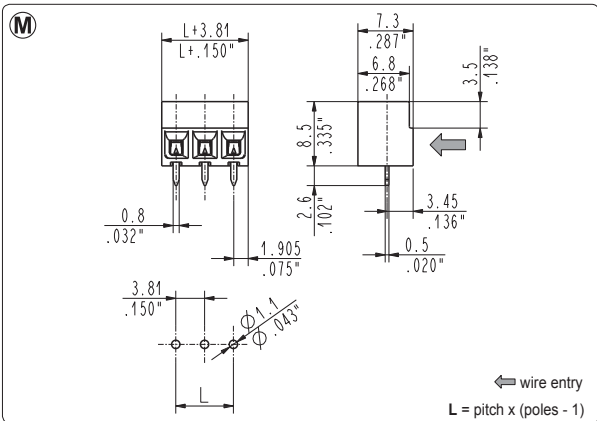
Poles	Code	Pcs/pack.	W [kg]*	Pcs/Ind.**	W [kg]*
02	MTBH02008-0N	800	1,17	5000	7,30
03	MTBH03008-0N	500	1,01	3500	7,67
04	MTBH04008-0N	350	1,02	2500	7,30
05	MTBH05008-0N	275	1,00	2000	7,30
06	MTBH06008-0N	225	0,99	1500	6,57
07	MTBH07008-0N	175	0,89	1500	7,67
08	MTBH08008-0N	175	1,02	1250	7,30
09	MTBH09008-0N	150	0,99	1250	8,21
10	MTBH10008-0N	125	0,91	1000	7,30
11	MTBH11008-0N	125	1,00	1000	8,03
12	MTBH12008-0N	100	0,88	750	6,57



**MTBH\_009-0N** straight, side stackable

7 mm / .276" pitch

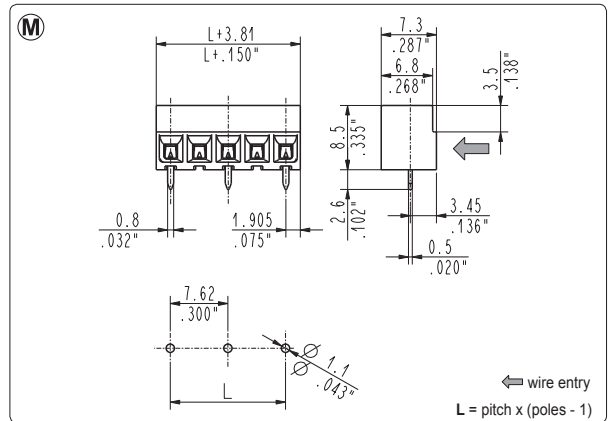
Poles	Code	Pcs/pack.	W [kg]*	Pcs/Ind.**	W [kg]*
01	MTBH01009-0N	800	0,66	4000	3,32
02	MTBH02009-0N	500	0,83	2500	4,15
03	MTBH03009-0N	275	0,68	1500	3,74
04	MTBH04009-0N	200	0,66	1250	4,15
05	MTBH05009-0N	150	0,62	1250	5,19
06	MTBH06009-0N	125	0,62	1000	4,98



**MTBH\_00T-0N** straight, side stackable

3.81 mm / .150" pitch

Poles	Code	Pcs/pack.	W [kg]*	Pcs/Ind.**	W [kg]*
02	MTBH0200T-0N	800	1,17	5000	7,30
03	MTBH0300T-0N	500	1,01	3500	7,67
04	MTBH0400T-0N	350	1,02	2500	7,30
05	MTBH0500T-0N	275	1,00	2000	7,30
06	MTBH0600T-0N	225	0,99	1500	6,57
07	MTBH0700T-0N	175	0,89	1500	7,67
08	MTBH0800T-0N	175	1,02	1250	7,30
09	MTBH0900T-0N	150	0,99	1250	8,21
10	MTBH1000T-0N	125	0,91	1000	7,30
11	MTBH1100T-0N	125	1,00	1000	8,03
12	MTBH1200T-0N	100	0,88	750	6,57



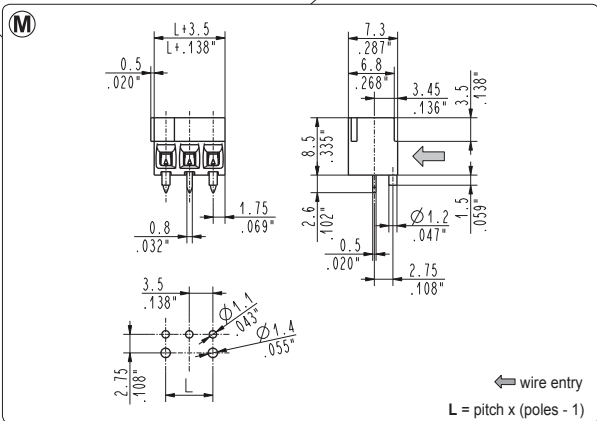
**MTBH\_007-0N** straight, side stackable

7.62 mm / .300" pitch

Poles	Code	Pcs/pack.	W [kg]*	Pcs/Ind.**	W [kg]*
01	MTBH01007-0N	800	0,66	4000	3,32
02	MTBH02007-0N	500	0,83	2500	4,15
03	MTBH03007-0N	275	0,68	1500	3,74
04	MTBH04007-0N	200	0,66	1250	4,15
05	MTBH05007-0N	150	0,62	1250	5,19
06	MTBH06007-0N	125	0,62	1000	4,98

Distributed by:

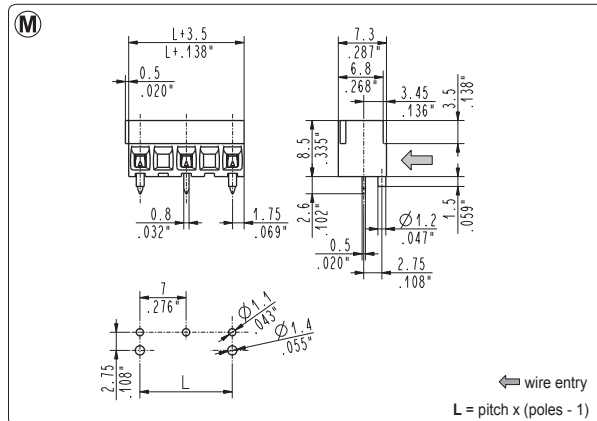
www.texim-europe.com



**MTB\_0M8-0000P** straight, modular with VDE pegs

3.5 mm / .138" pitch

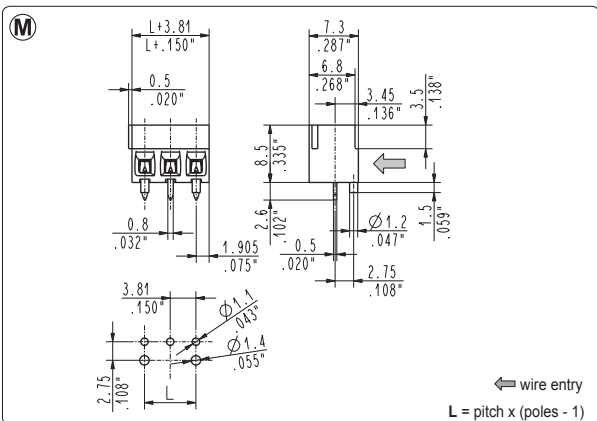
Poles	Code	Pcs/pack.	W [kg]*	Pcs/Ind.**	W [kg]*
02	MTB020M8-0000P	800	1,17	5000	7,30
03	MTB030M8-0000P	500	1,01	3500	7,67
04	MTB040M8-0000P	350	1,02	2500	7,30
05	MTB050M8-0000P	275	1,00	2000	7,30
06	MTB060M8-0000P	225	0,99	1500	6,57
07	MTB070M8-0000P	175	0,89	1500	7,67
08	MTB080M8-0000P	175	1,02	1250	7,30
09	MTB090M8-0000P	150	0,99	1250	8,21
10	MTB100M8-0000P	125	0,91	1000	7,30
11	MTB110M8-0000P	125	1,00	1000	8,03
12	MTB120M8-0000P	100	0,88	750	6,57



**MTB\_0M9-0000P** straight, modular with VDE pegs

7 mm / .276" pitch

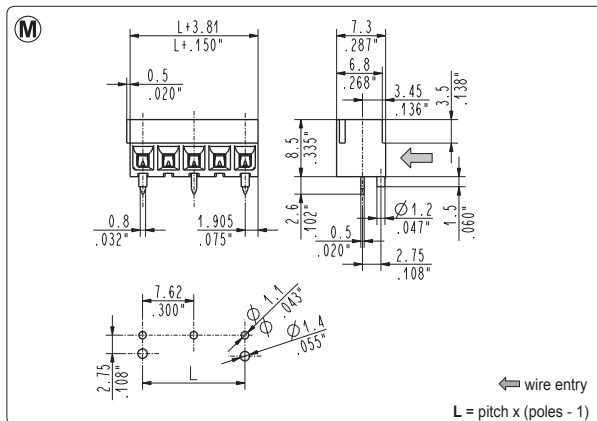
Poles	Code	Pcs/pack.	W [kg]*	Pcs/Ind.**	W [kg]*
01	MTB010M9-0000P	800	0,66	4000	3,32
02	MTB020M9-0000P	500	0,83	2500	4,15
03	MTB030M9-0000P	275	0,68	1500	3,74
04	MTB040M9-0000P	200	0,66	1250	4,15
05	MTB050M9-0000P	150	0,62	1250	5,19
06	MTB060M9-0000P	125	0,62	1000	4,98



**MTB\_0MT-0000P** straight, modular with VDE pegs

3.81 mm / .150" pitch

Poles	Code	Pcs/pack.	W [kg]*	Pcs/Ind.**	W [kg]*
02	MTB020MT-0000P	800	1,17	5000	7,30
03	MTB030MT-0000P	500	1,01	3500	7,67
04	MTB040MT-0000P	350	1,02	2500	7,30
05	MTB050MT-0000P	275	1,00	2000	7,30
06	MTB060MT-0000P	225	0,99	1500	6,57
07	MTB070MT-0000P	175	0,89	1500	7,67
08	MTB080MT-0000P	175	1,02	1250	7,30
09	MTB090MT-0000P	150	0,99	1250	8,21
10	MTB100MT-0000P	125	0,91	1000	7,30
11	MTB110MT-0000P	125	1,00	1000	8,03
12	MTB120MT-0000P	100	0,88	750	6,57



**MTB\_0M7-0000P** straight, modular with VDE pegs

7.62 mm / .300" pitch

Poles	Code	Pcs/pack.	W [kg]*	Pcs/Ind.**	W [kg]*
01	MTB010M7-0000P	800	0,66	4000	3,32
02	MTB020M7-0000P	500	0,83	2500	4,15
03	MTB030M7-0000P	275	0,68	1500	3,74
04	MTB040M7-0000P	200	0,66	1250	4,15
05	MTB050M7-0000P	150	0,62	1250	5,19
06	MTB060M7-0000P	125	0,62	1000	4,98

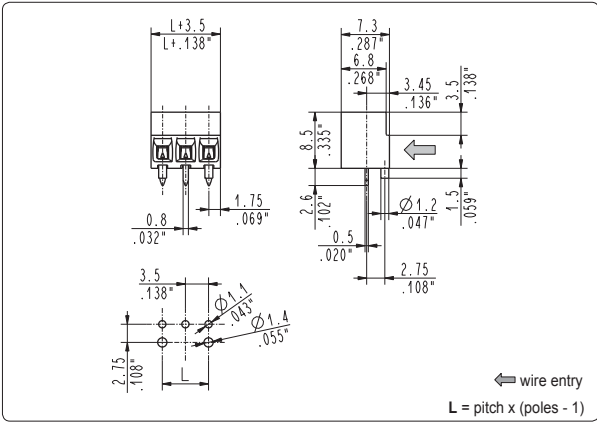
Distributed by:



\*W [kg]: approximate weight per box in kg

\*\*Industrial packaging: add "-00000E" at standard code

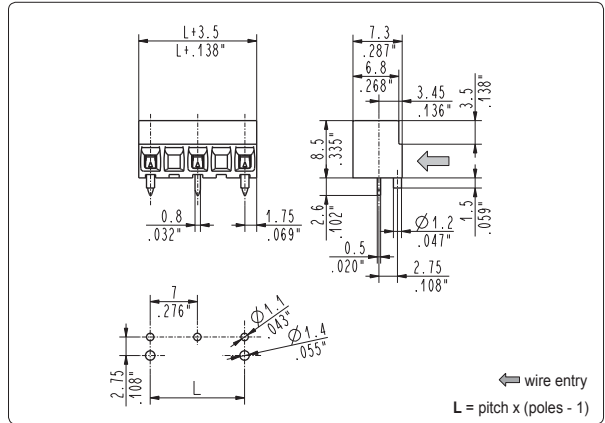




**MTBH\_008-0N00P** straight, side stackable with VDE pegs

**3.5 mm / .138" pitch**

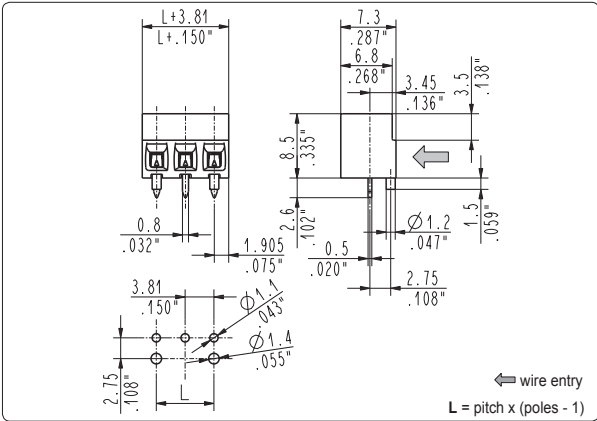
Poles	Code	Pcs/pack.	W [kg]*	Pcs/Ind.**	W [kg]*
02	MTBH02008-0N00P	800	1,17	5000	7,30
03	MTBH03008-0N00P	500	1,01	3500	7,67
04	MTBH04008-0N00P	350	1,02	2500	7,30
05	MTBH05008-0N00P	275	1,00	2000	7,30
06	MTBH06008-0N00P	225	0,99	1500	6,57
07	MTBH07008-0N00P	175	0,89	1500	7,67
08	MTBH08008-0N00P	175	1,02	1250	7,30
09	MTBH09008-0N00P	150	0,99	1250	8,21
10	MTBH10008-0N00P	125	0,91	1000	7,30
11	MTBH11008-0N00P	125	1,00	1000	8,03
12	MTBH12008-0N00P	100	0,88	750	6,57



**MTBH\_009-0N00P** straight, side stackable with VDE pegs

**7 mm / .276" pitch**

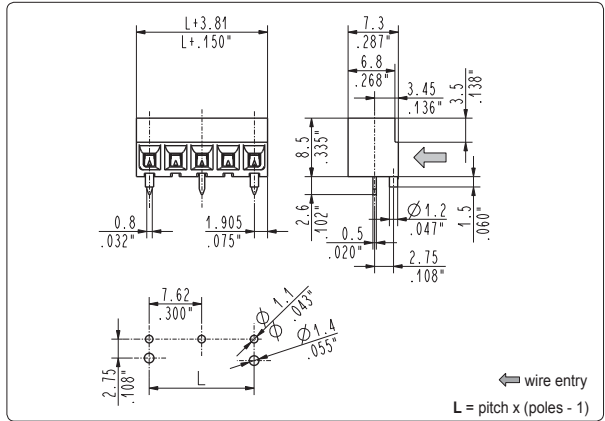
Poles	Code	Pcs/pack.	W [kg]*	Pcs/Ind.**	W [kg]*
01	MTBH01009-0N00P	800	0,66	4000	3,32
02	MTBH02009-0N00P	500	0,83	2500	4,15
03	MTBH03009-0N00P	275	0,68	1500	3,74
04	MTBH04009-0N00P	200	0,66	1250	4,15
05	MTBH05009-0N00P	150	0,62	1250	5,19
06	MTBH06009-0N00P	125	0,62	1000	4,98



**MTBH\_00T-0N00P** straight, side stackable with VDE pegs

**3.81 mm / .150" pitch**

Poles	Code	Pcs/pack.	W [kg]*	Pcs/Ind.**	W [kg]*
02	MTBH0200T-0N00P	800	1,17	5000	7,30
03	MTBH0300T-0N00P	500	1,01	3500	7,67
04	MTBH0400T-0N00P	350	1,02	2500	7,30
05	MTBH0500T-0N00P	275	1,00	2000	7,30
06	MTBH0600T-0N00P	225	0,99	1500	6,57
07	MTBH0700T-0N00P	175	0,89	1500	7,67
08	MTBH0800T-0N00P	175	1,02	1250	7,30
09	MTBH0900T-0N00P	150	0,99	1250	8,21
10	MTBH1000T-0N00P	125	0,91	1000	7,30
11	MTBH1100T-0N00P	125	1,00	1000	8,03
12	MTBH1200T-0N00P	100	0,88	750	6,57



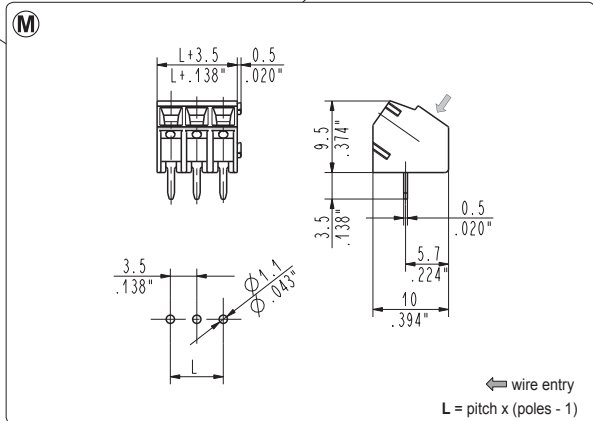
**MTBH\_007-0N00P** straight, side stackable with VDE pegs

**7.62 mm / .300" pitch**

Poles	Code	Pcs/pack.	W [kg]*	Pcs/Ind.**	W [kg]*
01	MTBH01007-0N00P	800	0,66	4000	3,32
02	MTBH02007-0N00P	500	0,83	2500	4,15
03	MTBH03007-0N00P	275	0,68	1500	3,74
04	MTBH04007-0N00P	200	0,66	1250	4,15
05	MTBH05007-0N00P	150	0,62	1250	5,19
06	MTBH06007-0N00P	125	0,62	1000	4,98

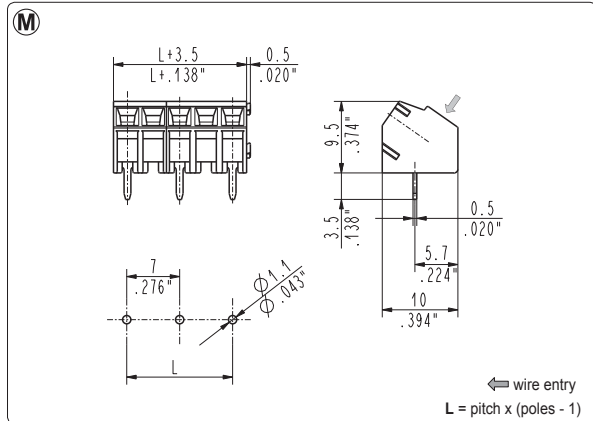
Distributed by:

www.texim-europe.com



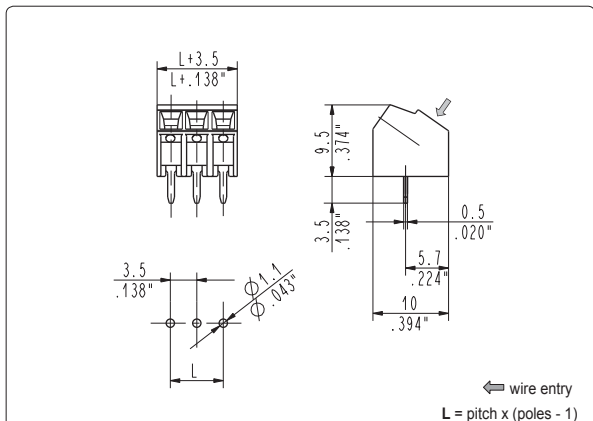
**MTB\_048** 55°, modular

3.5 mm / .138" pitch						
Poles	Code	Pcs/pack.	W [kg]*	Pcs/Ind.**	W [kg]*	
02	MTB02048	500	0,94	4000	7,52	
03	MTB03048	350	0,99	3000	8,46	
04	MTB04048	250	0,94	2000	7,52	
05	MTB05048	175	0,82	1750	8,23	
06	MTB06048	125	0,71	1500	8,46	
07	MTB07048	100	0,66	1250	8,23	
08	MTB08048	100	0,75	1000	7,52	
09	MTB09048	75	0,63	1000	8,46	
10	MTB10048	75	0,71	750	7,05	
11	MTB11048	75	0,78	750	7,76	
12	MTB12048	100	1,13	750	8,46	
13	MTB13048	50	0,61	500	6,11	
14	MTB14048	50	0,66	500	6,58	
15	MTB15048	50	0,71	500	7,05	
16	MTB16048	50	0,75	500	7,52	
17	MTB17048	25	0,40	250	4,00	
18	MTB18048	25	0,42	250	4,23	
19	MTB19048	25	0,45	250	4,47	
20	MTB20048	25	0,47	250	4,70	
21	MTB21048	25	0,49	250	4,94	
22	MTB22048	25	0,52	250	5,17	
23	MTB23048	25	0,54	250	5,41	
24	MTB24048	25	0,56	250	5,64	
25	MTB25048	25	0,59	250	5,88	



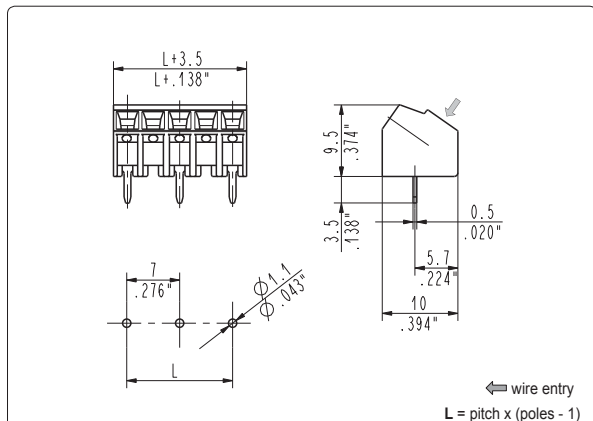
**MTB\_049** 55°, modular

7 mm / .276" pitch						
Poles	Code	Pcs/pack.	W [kg]*	Pcs/Ind.**	W [kg]*	
01	MTB01049	500	0,52	4000	4,16	
02	MTB02049	350	0,73	3000	6,24	
03	MTB03049	175	0,55	1750	5,46	
04	MTB04049	100	0,42	1250	5,20	
05	MTB05049	75	0,39	1000	5,20	
06	MTB06049	75	0,47	750	4,68	
07	MTB07049	50	0,36	500	3,64	
08	MTB08049	50	0,42	500	4,16	
09	MTB09049	25	0,23	250	2,34	
10	MTB10049	25	0,26	250	2,60	
11	MTB11049	25	0,29	250	2,86	
12	MTB12049	25	0,31	250	3,12	
13	MTB13049	25	0,34	250	3,38	



**MTB\_068** 55°, side stackable

3.5 mm / .138" pitch						
Poles	Code	Pcs/pack.	W [kg]*	Pcs/Ind.**	W [kg]*	
02	MTB02068	500	0,94	4000	7,52	
03	MTB03068	350	0,99	3000	8,46	
04	MTB04068	250	0,94	2000	7,52	
05	MTB05068	175	0,82	1750	8,23	
06	MTB06068	125	0,71	1500	8,46	
07	MTB07068	100	0,66	1250	8,23	
08	MTB08068	100	0,75	1000	7,52	
09	MTB09068	75	0,63	1000	8,46	
10	MTB10068	75	0,71	750	7,05	
11	MTB11068	75	0,78	750	7,76	
12	MTB12068	100	1,13	750	8,46	
13	MTB13068	50	0,61	500	6,11	
14	MTB14068	50	0,66	500	6,58	
15	MTB15068	50	0,71	500	7,05	
16	MTB16068	50	0,75	500	7,52	
17	MTB17068	25	0,40	250	4,00	
18	MTB18068	25	0,42	250	4,23	
19	MTB19068	25	0,45	250	4,47	
20	MTB20068	25	0,47	250	4,70	
21	MTB21068	25	0,49	250	4,94	
22	MTB22068	25	0,52	250	5,17	
23	MTB23068	25	0,54	250	5,41	
24	MTB24068	25	0,56	250	5,64	
25	MTB25068	25	0,59	250	5,88	



**MTB\_069** 55°, side stackable

7 mm / .276" pitch						
Poles	Code	Pcs/pack.	W [kg]*	Pcs/Ind.**	W [kg]*	
01	MTB01069	500	0,52	4000	4,16	
02	MTB02069	350	0,73	3000	6,24	
03	MTB03069	175	0,55	1750	5,46	
04	MTB04069	100	0,42	1250	5,20	
05	MTB05069	75	0,39	1000	5,20	
06	MTB06069	75	0,47	750	4,68	
07	MTB07069	50	0,36	500	3,64	
08	MTB08069	50	0,42	500	4,16	
09	MTB09069	25	0,23	250	2,34	
10	MTB10069	25	0,26	250	2,60	
11	MTB11069	25	0,29	250	2,86	
12	MTB12069	25	0,31	250	3,12	
13	MTB13069	25	0,34	250	3,38	

Distributed by:

www.texim-europe.com

\*W [kg]: approximate weight per box in kg

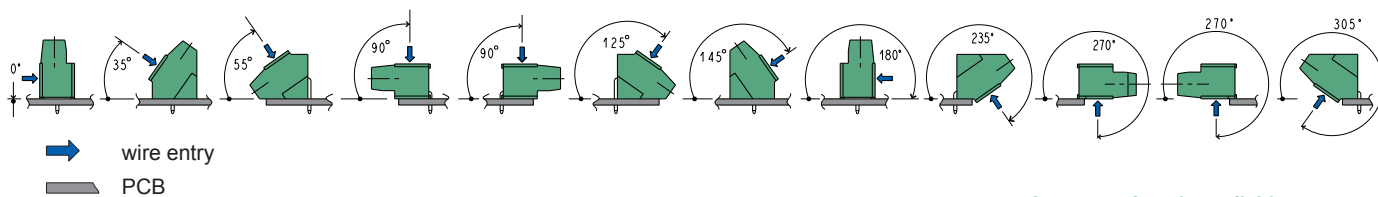
\*\*Industrial packaging: add "-00000E" at standard code

Distributed by:



# according to the law

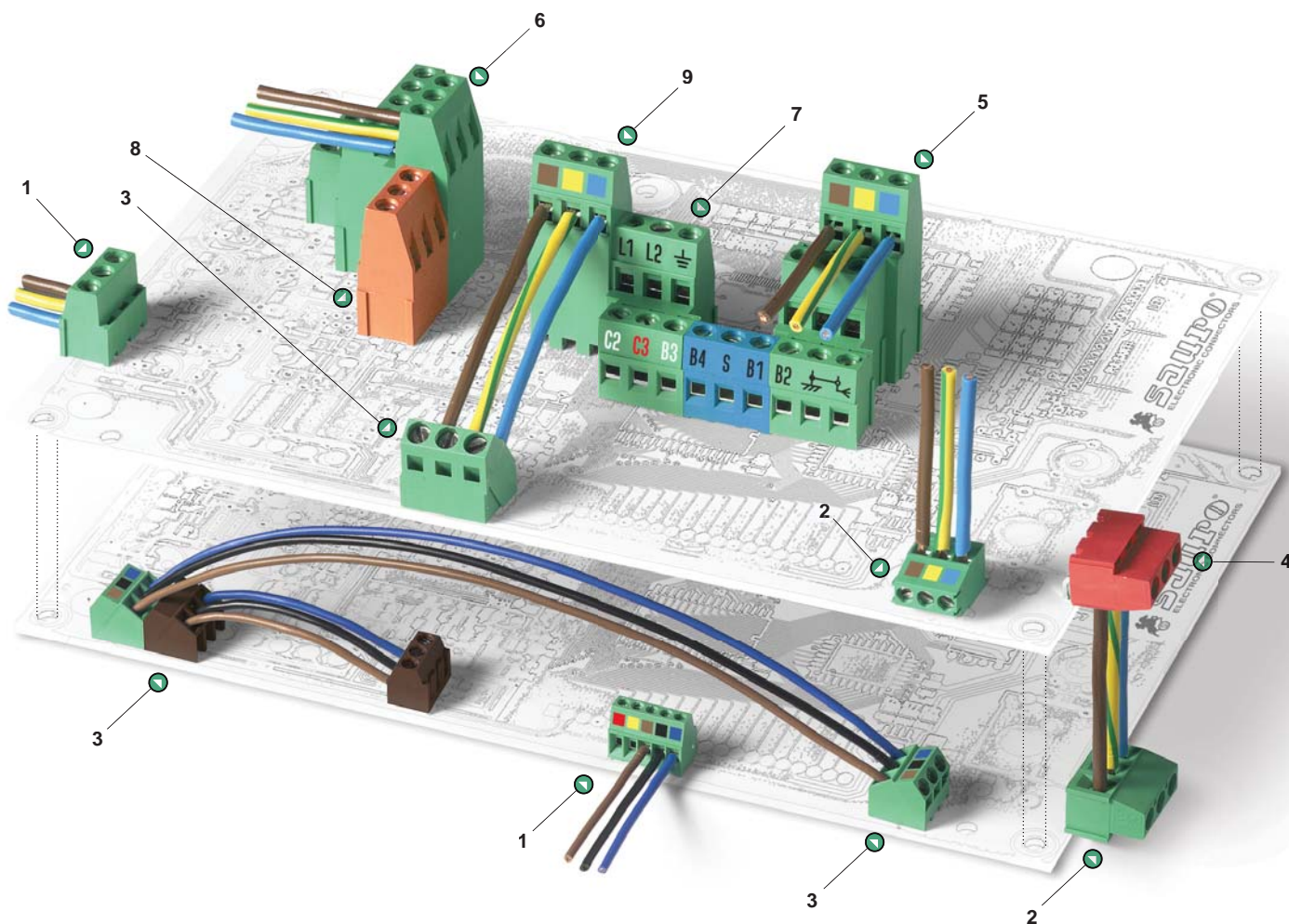
## Round Angle of Terminal Blocks



Any type of angle available on request

## Example of Application

- 1 Straight version terminal blocks available: MSD MTB MTS MSB MSG MSM MSS MSQ MSP
- 2 90° version terminal blocks available: MTS MSB MSG MSM MSS MSP
- 3 45°/55° version terminal blocks available: MTB MSB MSM MSP
- 4 270° version terminal blocks available: MSG MSM
- 5 3 level Plurima: PSB PSM PSQ
- 6 2<sup>nd</sup> and 3<sup>rd</sup> level Plurima: PSB PSM PSQ
- 7 1<sup>st</sup> and 2<sup>nd</sup> level Plurima: PSB PSM PSQ
- 8 2<sup>nd</sup> level Plurima: PSB PSM PSQ
- 9 3<sup>rd</sup> level Plurima: PSB PSM PSQ



Examples of application: all the available codes are listed in the table on pages from 10 to 13

# TEXIM EUROPE

Partner in Electronic Components & Supply Chain Solutions



## The Netherlands

Elektrostraat 17  
NL-7483 PG Haaksbergen  
Tel: +31 (0)53 573 33 33  
Fax: +31 (0)53 573 33 30  
nl@texim-europe.com



## Denmark

Nørregade 15  
DK-9240 Nibe  
Tel: +45 88 20 26 30  
Fax: +45 88 20 26 39  
nordic@texim-europe.com



## Belgium

Gentsesteenweg 1154-C22  
Chaussée de Gand 1154-C22  
B-1082 Brussel / Bruxelles  
Tel: +32 (0)2 462 01 00  
Fax: +32 (0)2 462 01 25  
belgium@texim-europe.com



## United Kingdom

St. Mary's House, Church Lane  
Carlton Le Moorland  
Lincoln LN5 9HS  
Tel: +44 (0)1522 789 555  
Fax: +44 (0)845 299 22 26  
uk@texim-europe.com



## Germany

Justus-von-Liebig-Ring 7-9  
D-25451 Quickborn  
Tel: +49 (0)4106 627 07-0  
Fax: +49 (0)4106 627 07-20  
germany@texim-europe.com



## Germany

Martin-Kollar-Strasse 9  
D-81829 München  
Tel: +49 (0)89 436 086-0  
Fax: +49 (0)89 436 086-19  
germany@texim-europe.com



## Austria

Warwitzstrasse 9  
A-5020 Salzburg  
Tel: +43 (0)662 216026  
Fax: +43 (0)662 216026-66  
austria@texim-europe.com

## Texim Europe B.V.

Elektrostraat 17  
NL-7483 PG Haaksbergen  
Tel: +31 (0)53 573 33 33  
info@texim-europe.com  
www.texim-europe.com

