



GREEN ELECTRONICS



PSB

Terminal Blocks and Connectors for Printed Circuit Boards



ISO
9001



ISO
14001



BS OHSAS
18001:2007

Distributed by:



www.texim-europe.com



SAURO®

ELECTRONIC CONNECTORS

by the law

Functional characteristics


Dimensional class:
low

Standard colour:
green

Heights:

 28 mm, 19 mm, 10 mm
 (1.102 in, .748 in, .394 in)

Max approved wire sections:

 solid: 1.5 mm² (IMQ); 16 AWG (UL)
 stranded: 1 mm² (IMQ); 16 AWG (UL)

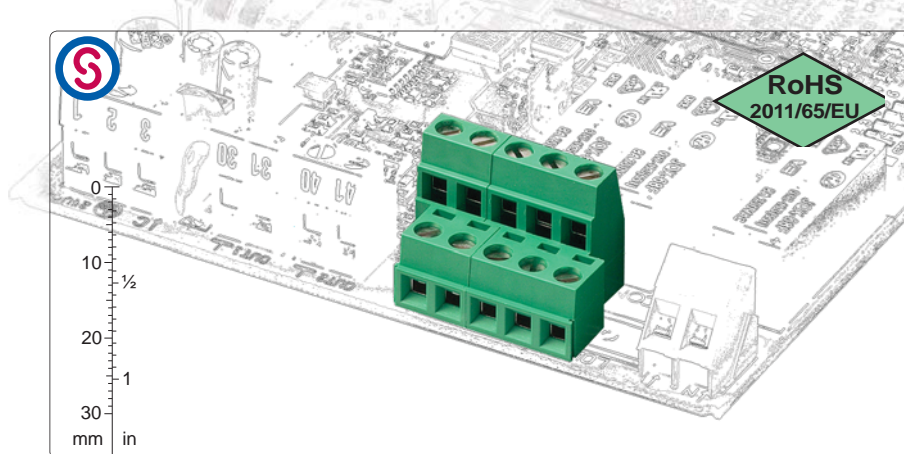
Clamp opening size:

2.5 x 1.7 mm (.098 x .067 in)


Versions:
modular,
Single mould poles:
from 2 to 3 (Modular)

Pitches:

 metric 5 mm, 10 mm
 (.197 in, .394 in)

 imperial 5.08 mm, 10.16 mm
 (.200 in, .400 in)

 pitch 5/5.08 mm
 from 2 to 3 poles
 1st and 2nd level, modular

 pitch 5/5.08 mm
 from 2 to 3 poles
 2nd and 3rd level, modular

 pitch 5/5.08 mm
 from 2 to 3 poles
 middle tower, modular

 pitch 5/5.08 mm
 from 2 to 3 poles
 high tower, modular

 pitch 5/5.08 mm
 from 2 to 3 poles
 three levels, modular

 available accessories:
 from 2 to 9 poles
 BSC for rising clamp

Brief description

The PSB multi-level terminal block series called "PLURIMA" represents the most advanced solution as far as consistency of the wire and connections to the PCBs are concerned,

The arrangement of the poles on 2 or 3 terraced levels guarantees **maximum accessibility and good visibility of connection points**.

The PSB series is available in 5 mm (.197 in) and 10 mm (.394 in) metric pitches and in 5.08 mm (.200 in) and 10.16 mm (.400 in) Imperial pitches, in modular housing from 2 to 3 poles, with insertion of the wire parallel to the PCB.

The 2 or 3 level blocks can be combined, both with High and Medium Towers, and also with the MSB series in countless and different geometric configurations. By taking advantage of this particular feature a minimum quantity of basic terminal blocks can be stored.

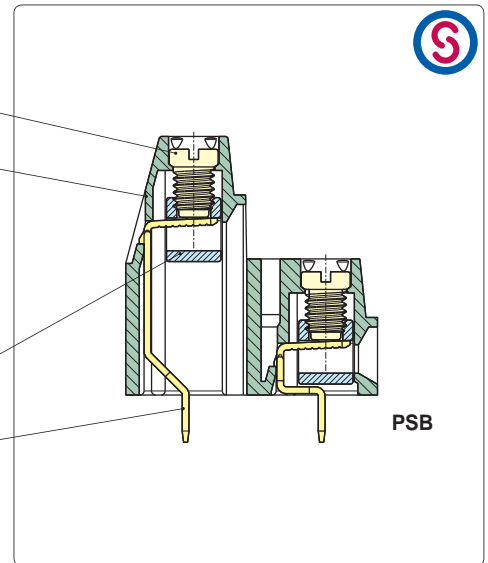
It is simple to manage products, warehouse and the assembly in Kit packages because several versions can be obtained with only one code, so that both part-numbers and the risk of making mistakes are significantly reduced.

Distributed by:



Components features

- M3 nickel plated copper alloy screw.
- PA 6.6 polyamide housing.
Standard colour: GREEN.
V0 self-extinguishing according to UL 94.
Chlorinated solvents resistant,
with no phosphor, dioxin or
halogens detrimental to health.
- Nickel plated copper alloy clamp
- Easy to solder lead-free
tin-plated copper alloy pin.



Mechanical features

Recommended/highest tightening torque	0.5/0.6 Nm (4.42/5.31 lbf-in)
PCB thickness:	max. 2.4 mm (.094 in)
PCB hole diameter:	min. 1.1 mm (.043 in)
Stripping length	5 ÷ 6 mm (.197 ÷ .24 in)
Operating temperature range	-40 °C ÷ +110 °C (-40 °F ÷ +230 °F)
Climatic category	40/110/21 according to EN 60068-1

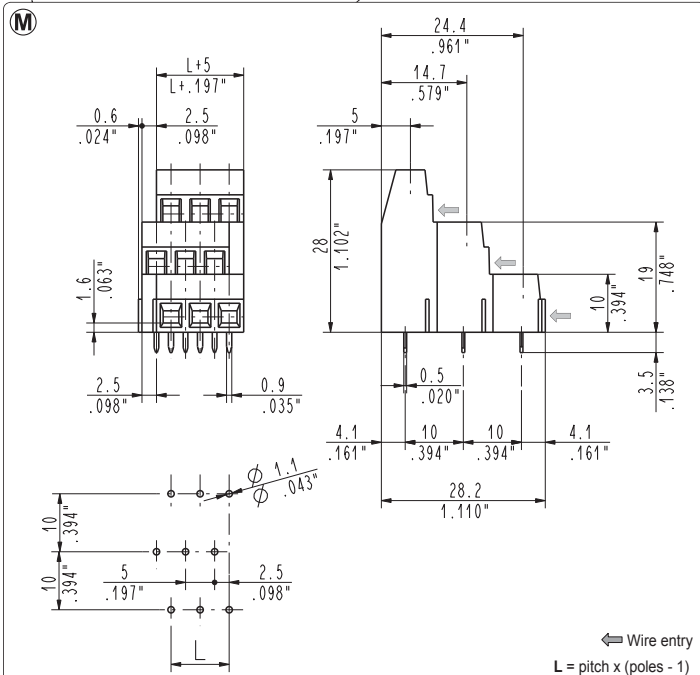
Electrical features*

Solid wire section	30÷16 AWG (UL)*; 0.05÷1.5 mm ² (IMQ)*
Stranded wire section	30÷16 AWG (UL)*; 0.05÷1 mm ² (IMQ)*
Rated voltage for 5 mm (.197 in) and 5.08 mm (.200 in)	300 V (UL)*
Rated voltage for 10 mm (.394 in) and 10.16 mm (.400 in)	750 V (IMQ)*
Rated current	17.5 A (IMQ)*
Contact resistance	<15 mΩ
Insulation resistance	>10 ⁹ Ω (500V DC)

*All the a.m. data refer to the highest values amongst the certified ones.
V voltage, I current values and tightening torque are related to the norms to be applied to the product and to its use.

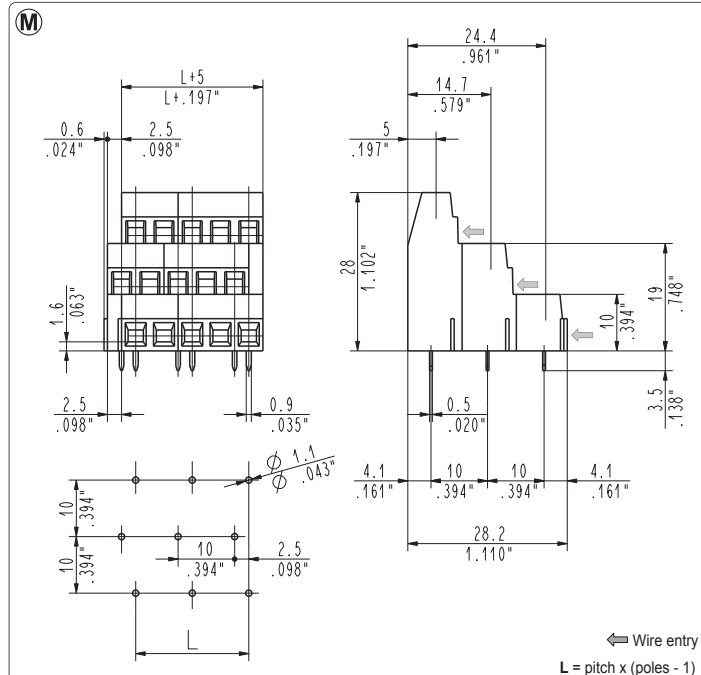
Approvals

IEC-EN	IEC:	250 V - T 110 - 17.5 A - 1.5 mm ² solid (13.5 A - 1 mm ² stranded) for 5 mm and 5.08 mm pitch
	EN 60998	750 V - T 110 - 17.5 A - 1.5 mm ² solid (13.5 A - 1 mm ² stranded) for 10 mm and 10.16 mm pitch
UL	UL:	300 V - 13.5 A (factory wiring), 10A (field wiring)- 30÷16 AWG - 6 lbf-in for 5 mm, 5.08 mm
	File E167473	600 V - 13.5 A (factory wiring), 10A (field wiring)- 30÷16 AWG - 6 lbf-in for 10 mm and 10.16 mm pitch Application values for end-use equipment have to be in accordance to UL norms and applicable to it.
VDE	VDE:	250 V - 13.5 A (10 A for "T" and "K" versions) - T 110 - 1 mm ² for 5 mm and 5.08 mm pitch
	File n. 40022744	750 V - 13.5 A - T 110 - 1 mm ² for 10 mm and 10.16 mm pitch
IMQ	IMQ:	250 V - T 110 - 17.5 A - 1.5 mm ² solid (13.5 A - 1 mm ² stranded) for 5 mm and 5.08 mm pitch
	File: ED624	750 V - T 110 - 17.5 A - 1.5 mm ² solid (13.5 A - 1 mm ² stranded) for 10 mm and 10.16 mm pitch



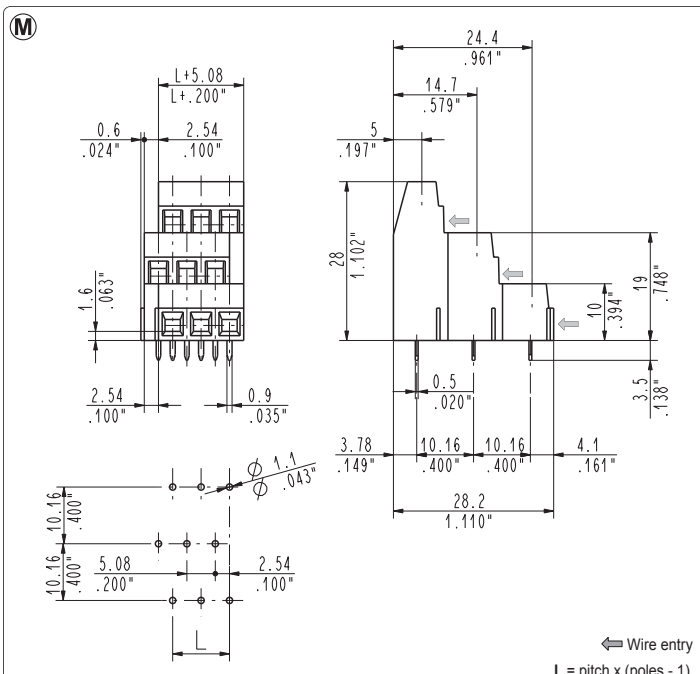
PSB_0T1 3 levels modular
5 mm / .197" pitch

Single Mould Terminal Blocks					
Poles	Code	Pcs/pack.	W [kg]*	Pcs/ind.**	W [kg]*
02	PSB020T1	75	0,57	500	3,78
03	PSB030T1	50	0,57	500	5,67



PSB_0T2 3 levels modular
10 mm / .394" pitch

Assembled Terminal Blocks					
Poles	Code	Pcs/pack.	W [kg]*	Pcs/ind.**	W [kg]*
01	PSB010T2	75	0,34	500	2,30
02	PSB020T2	50	0,46	500	4,59
03	PSB030T2	55	0,76	250	3,44
04	PSB040T2	40	0,73	250	4,59
05	PSB050T2	30	0,69	150	3,44
06	PSB060T2	20	0,55	100	2,75
07	PSB070T2	15	0,48	75	2,41
08	PSB080T2	15	0,55	75	2,75
09	PSB090T2	10	0,41	50	2,07
10	PSB100T2	10	0,46	50	2,30
11	PSB110T2	10	0,51	50	2,52
12	PSB120T2	10	0,55	50	2,75
13	PSB130T2	8	0,48	50	2,98

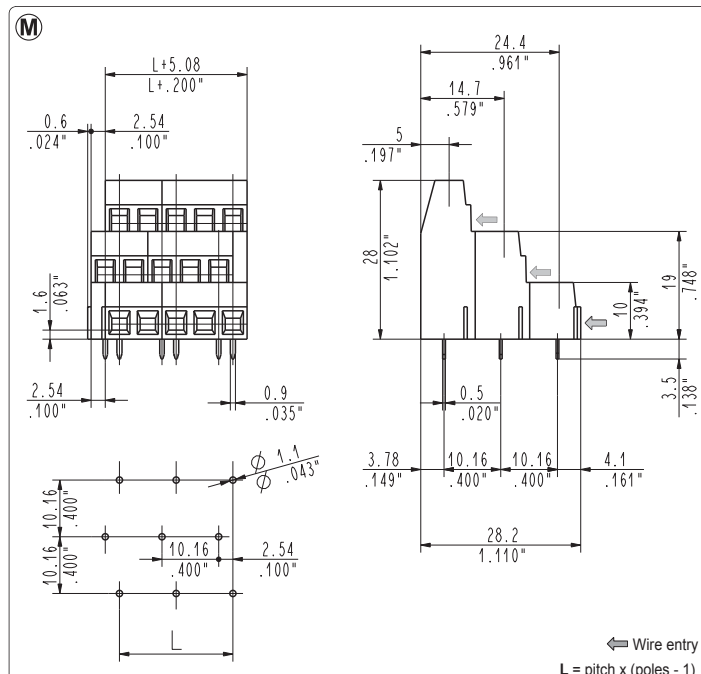


PSB_0T5 3 levels modular
5.08 mm / .200" pitch

Single Mould Terminal Blocks					
Poles	Code	Pcs/pack.	W [kg]*	Pcs/ind.**	W [kg]*
02	PSB020T5	75	0,59	500	3,78
03	PSB030T5	50	0,59	500	5,67

Distributed by:

www.texim-europe.com

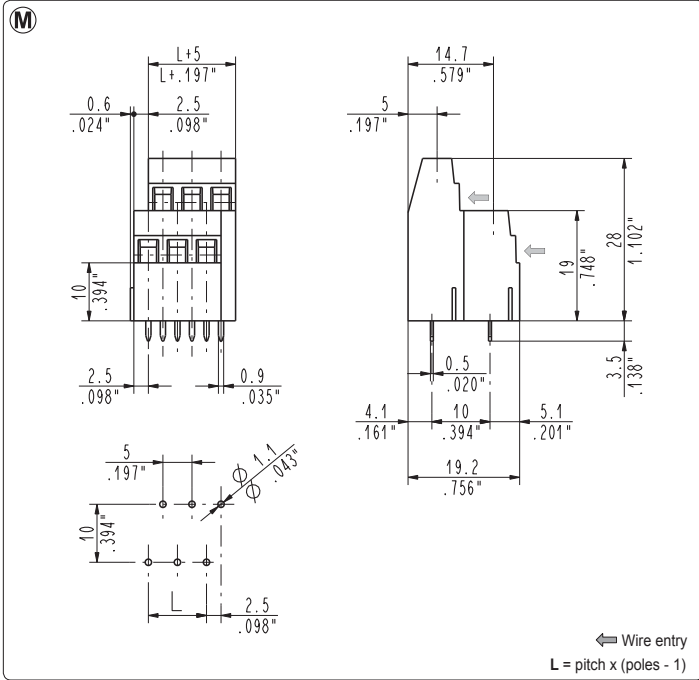


PSB_0T6 3 levels modular
10.16 mm / .400" pitch

Assembled Terminal Blocks					
Poles	Code	Pcs/pack.	W [kg]*	Pcs/ind.**	W [kg]*
01	PSB010T6	75	0,34	500	2,30
02	PSB020T6	50	0,46	500	4,59
03	PSB030T6	55	0,76	250	3,44
04	PSB040T6	40	0,73	250	4,59
05	PSB050T6	30	0,69	150	3,44
06	PSB060T6	20	0,55	100	2,75
07	PSB070T6	15	0,48	75	2,41
08	PSB080T6	15	0,55	75	2,75
09	PSB090T6	10	0,41	50	2,07
10	PSB100T6	10	0,46	50	2,30
11	PSB110T6	10	0,51	50	2,52
12	PSB120T6	10	0,55	50	2,75
13	PSB130T6	8	0,48	50	2,98

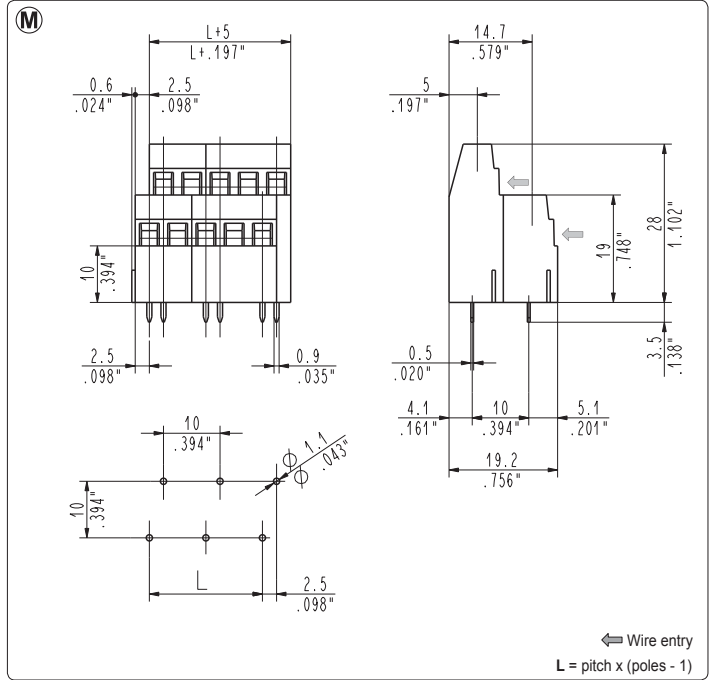
*W [kg]: approximate weight per box in kg

**Industrial packaging: add "-00000E" at standard code



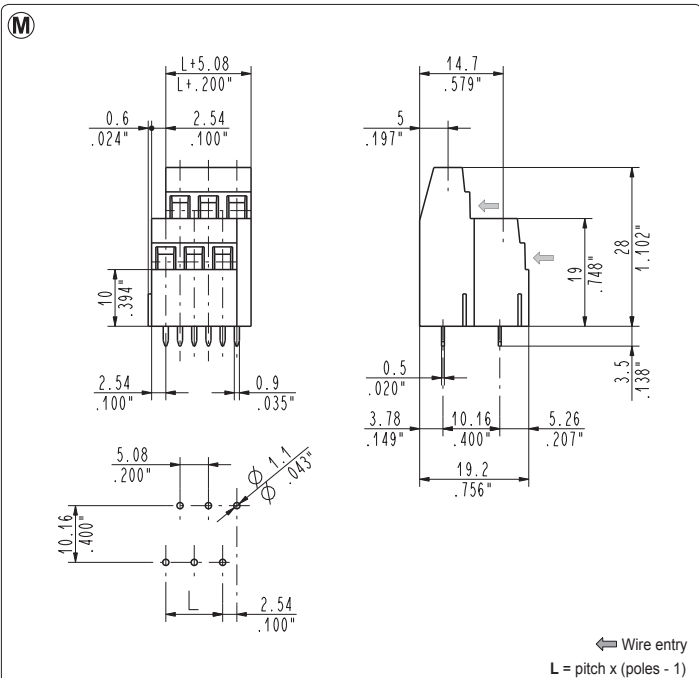
PSB_0K1 2nd & 3rd levels modular
5 mm / .197" pitch

Single Mould Terminal Blocks					
Poles	Code	Pcs/pack.	W [kg]*	Pcs/ind.**	W [kg]*
02	PSB020K1	100	0,56	500	2,79
03	PSB030K1	75	0,63	500	4,18



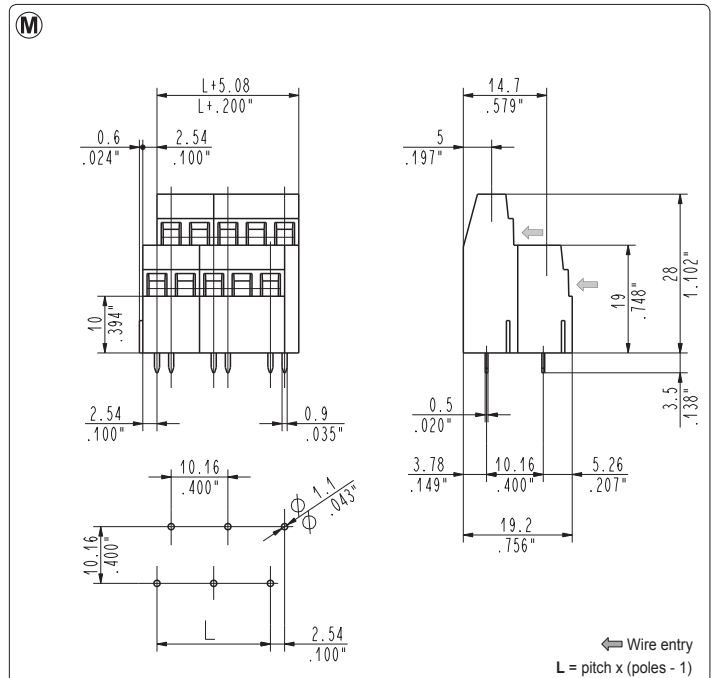
PSB_0K2 2nd & 3rd levels modular
10 mm / .394" pitch

Assembled Terminal Blocks					
Poles	Code	Pcs/pack.	W [kg]*	Pcs/ind.**	W [kg]*
01	PSB010K2	100	0,34	500	1,71
02	PSB020K2	75	0,51	500	3,42
03	PSB030K2	80	0,82	250	2,57
04	PSB040K2	60	0,82	250	3,42
05	PSB050K2	45	0,77	150	2,57
06	PSB060K2	35	0,72	100	2,05
07	PSB070K2	25	0,60	75	1,80
08	PSB080K2	25	0,68	75	2,05
09	PSB090K2	15	0,46	50	1,54
10	PSB100K2	15	0,51	50	1,71
11	PSB110K2	15	0,56	50	1,88
12	PSB120K2	15	0,62	50	2,05
13	PSB130K2	10	0,44	50	2,22



PSB_0K5 2nd & 3rd levels modular
5.08 mm / .200" pitch

Single Mould Terminal Blocks					
Poles	Code	Pcs/pack.	W [kg]*	Pcs/ind.**	W [kg]*
02	PSB020K5	100	0,56	500	2,79
03	PSB030K5	75	0,63	500	4,18



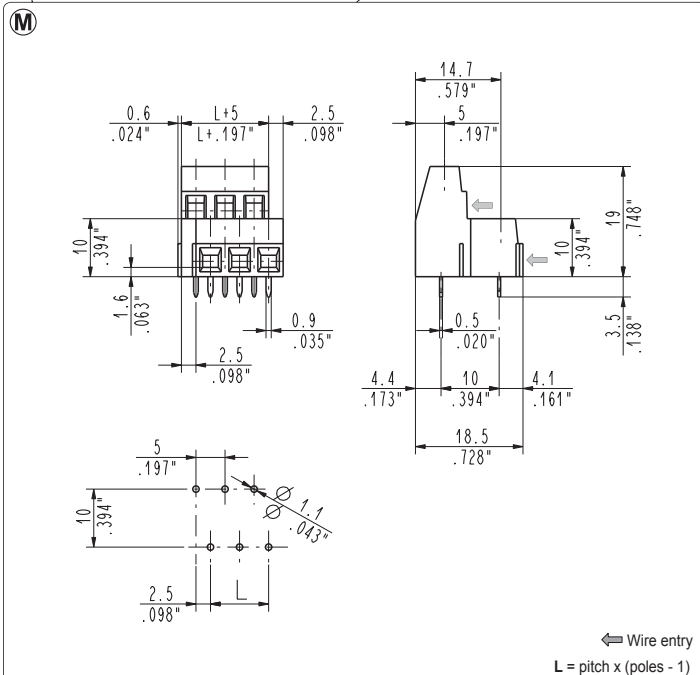
PSB_0K6 2nd & 3rd levels modular
10.16 mm / .400" pitch

Assembled Terminal Blocks					
Poles	Code	Pcs/pack.	W [kg]*	Pcs/ind.**	W [kg]*
01	PSB010K6	100	0,34	500	1,71
02	PSB020K6	75	0,51	500	3,42
03	PSB030K6	80	0,82	250	2,57
04	PSB040K6	60	0,82	250	3,42
05	PSB050K6	45	0,77	150	2,57
06	PSB060K6	35	0,72	100	2,05
07	PSB070K6	25	0,60	75	1,80
08	PSB080K6	25	0,68	75	2,05
09	PSB090K6	15	0,46	50	1,54
10	PSB100K6	15	0,51	50	1,71
11	PSB110K6	15	0,56	50	1,88
12	PSB120K6	15	0,62	50	2,05
13	PSB130K6	10	0,44	50	2,22

Distributed by:

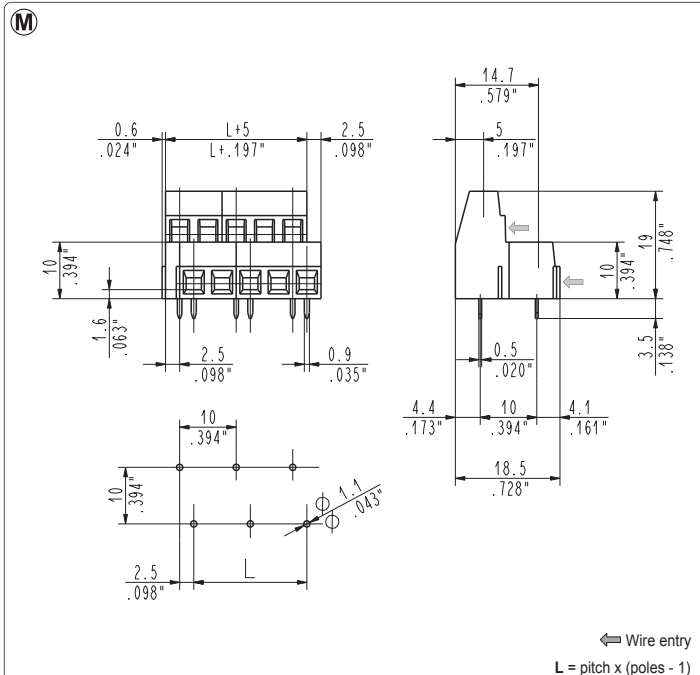


www.texim-europe.com



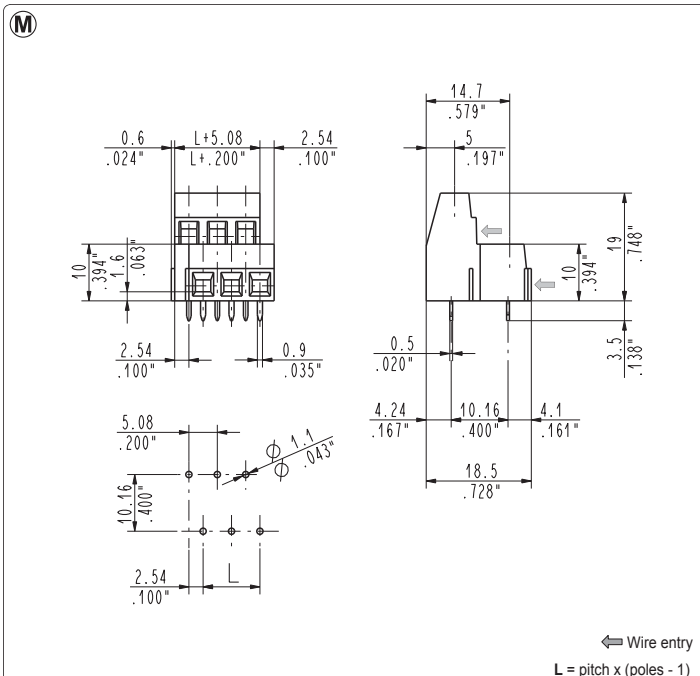
PSB_0D1 1st & 2nd levels modular
5 mm / .197" pitch

Single Mould Terminal Blocks					
Poles	Code	Pcs/pack.	W [kg]*	Pcs/ind.**	W [kg]*
02	PSB020D1	200	0,88	750	3,28
03	PSB030D1	125	0,82	500	3,28



PSB_0D2 1st & 2nd levels modular
10 mm / .394" pitch

Assembled Terminal Blocks					
Poles	Code	Pcs/pack.	W [kg]*	Pcs/ind.**	W [kg]*
01	PSB010D2	200	0,53	750	1,97
02	PSB020D2	125	0,66	750	3,94
03	PSB030D2	80	0,63	500	3,94
04	PSB040D2	60	0,63	500	5,26
05	PSB050D2	45	0,59	250	3,29
06	PSB060D2	35	0,55	250	3,95
07	PSB070D2	25	0,46	150	2,76
08	PSB080D2	25	0,53	150	3,16
09	PSB090D2	20	0,47	100	2,37
10	PSB100D2	20	0,53	100	2,63
11	PSB110D2	20	0,58	100	2,89
12	PSB120D2	20	0,63	100	3,16
13	PSB130D2	10	0,34	100	3,42

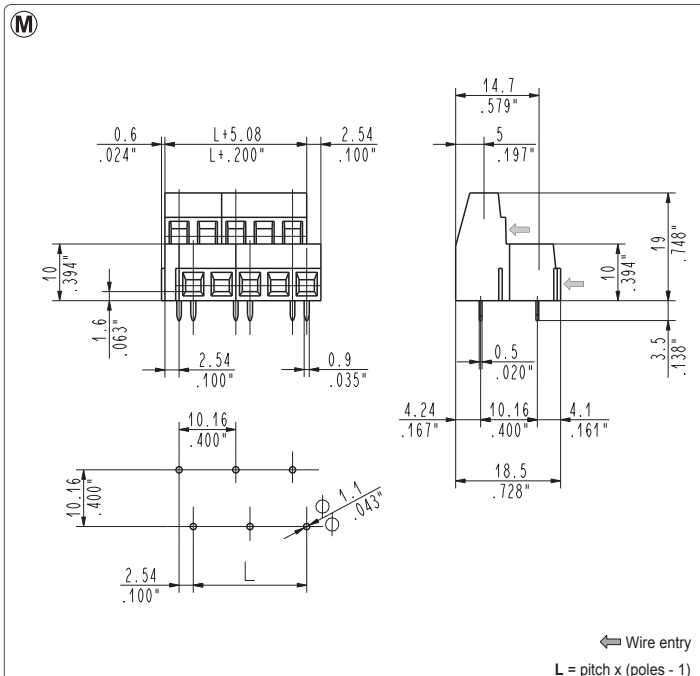


PSB_0D5 1st & 2nd levels modular
5.08 mm / .200" pitch

Single Mould Terminal Blocks					
Poles	Code	Pcs/pack.	W [kg]*	Pcs/ind.**	W [kg]*
02	PSB020D5	200	0,88	750	3,28
03	PSB030D5	125	0,82	500	3,28

Distributed by:

www.texim-europe.com

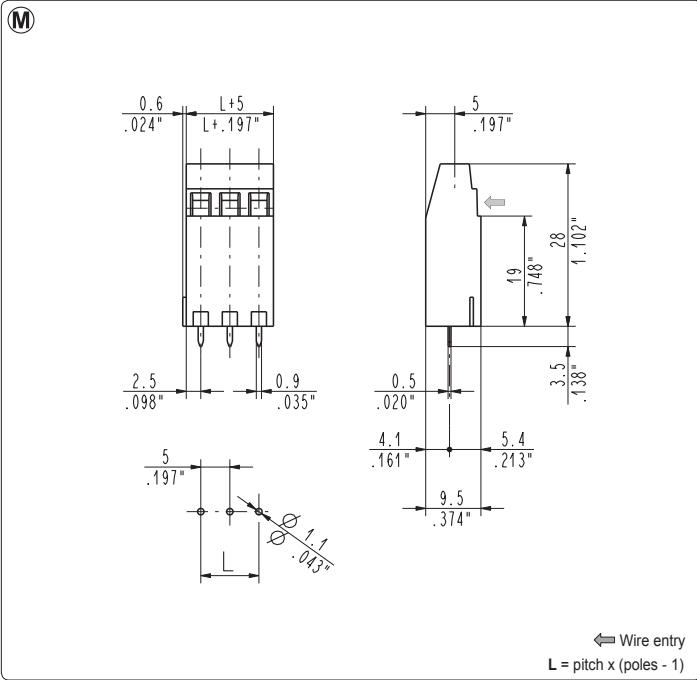


PSB_0D6 1st & 2nd levels modular
10.16 mm / .400" pitch

Assembled Terminal Blocks					
Poles	Code	Pcs/pack.	W [kg]*	Pcs/ind.**	W [kg]*
01	PSB010D6	200	0,53	750	1,97
02	PSB020D6	125	0,66	750	3,94
03	PSB030D6	80	0,63	500	3,94
04	PSB040D6	60	0,63	500	5,26
05	PSB050D6	45	0,59	250	3,29
06	PSB060D6	35	0,55	250	3,95
07	PSB070D6	25	0,46	150	2,76
08	PSB080D6	25	0,53	150	3,16
09	PSB090D6	20	0,47	100	2,37
10	PSB100D6	20	0,53	100	2,63
11	PSB110D6	20	0,58	100	2,89
12	PSB120D6	20	0,63	100	3,16
13	PSB130D6	10	0,34	100	3,42

*W [kg]: approximate weight per box in kg

**Industrial packaging: add "-00000E" at standard code

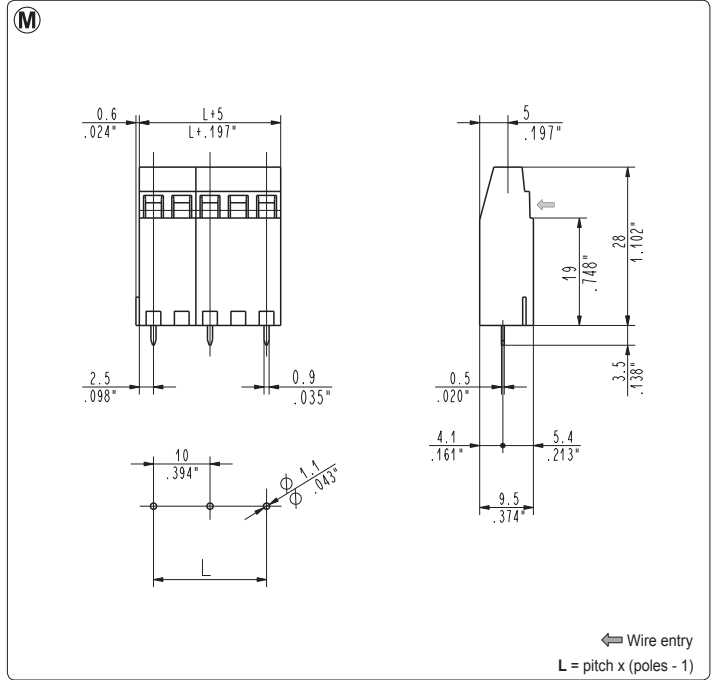


PSB_0H1 high tower modular

5 mm / .197" pitch

Single Mould Terminal Blocks

Poles	Code	Pcs/pack.	W [kg]*	Pcs/ind.**	W [kg]*
02	PSB020H1	250	0,79	1000	3,18
03	PSB030H1	125	0,60	750	3,58

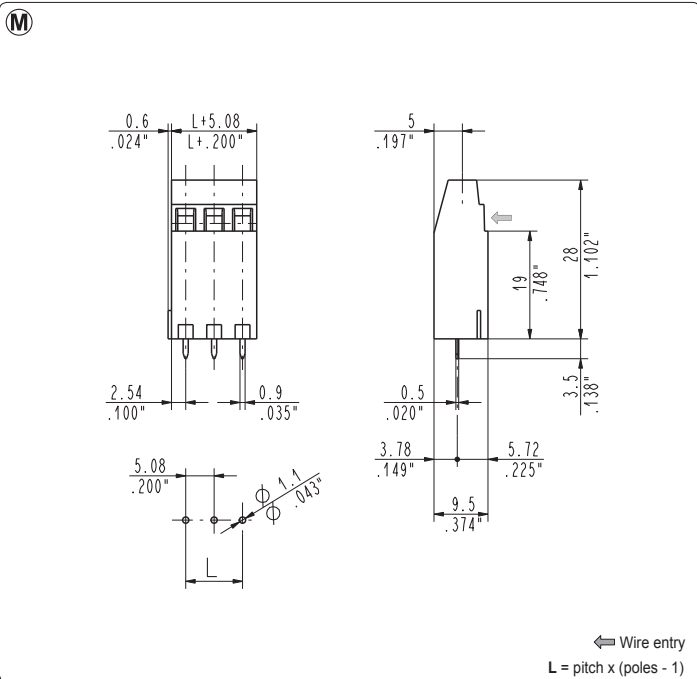


PSB_0H2 high tower modular

10 mm / .394" pitch

Assembled Terminal Blocks

Poles	Code	Pcs/pack.	W [kg]*	Pcs/ind.**	W [kg]*
01	PSB010H2	250	0,49	1000	1,96
02	PSB020H2	125	0,49	750	2,94
03	PSB030H2	110	0,65	750	4,41
04	PSB040H2	80	0,63	750	5,88
05	PSB050H2	60	0,59	500	4,90
06	PSB060H2	45	0,53	500	5,88
07	PSB070H2	35	0,48	250	3,43
08	PSB080H2	35	0,55	250	3,92
09	PSB090H2	30	0,53	150	2,65
10	PSB100H2	25	0,49	150	2,94
11	PSB110H2	25	0,54	100	2,16
12	PSB120H2	25	0,59	100	2,35
13	PSB130H2	15	0,38	100	2,55

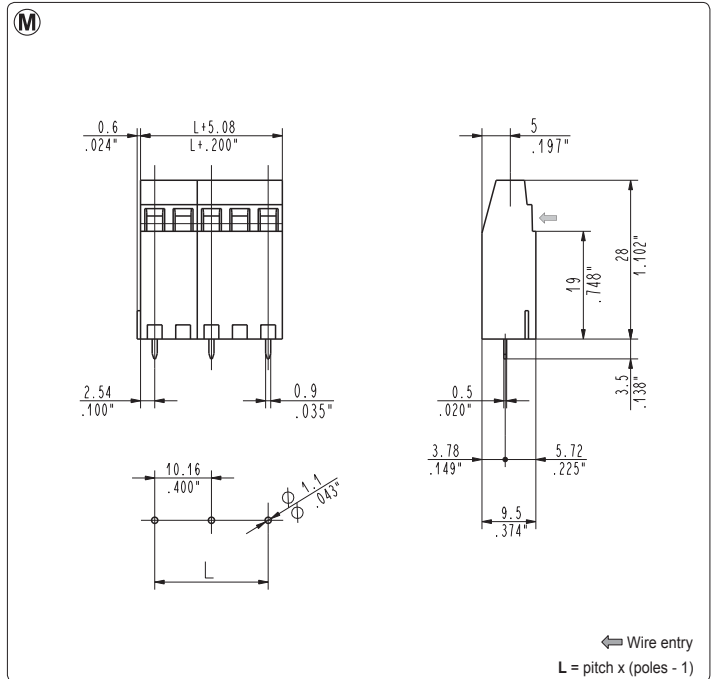


PSB_0H5 high tower modular

5.08 mm / .200" pitch

Single Mould Terminal Blocks

Poles	Code	Pcs/pack.	W [kg]*	Pcs/ind.**	W [kg]*
02	PSB020H5	250	0,79	1000	3,18
03	PSB030H5	125	0,60	750	3,58



PSB_0H6 high tower modular

10.16 mm / .400" pitch

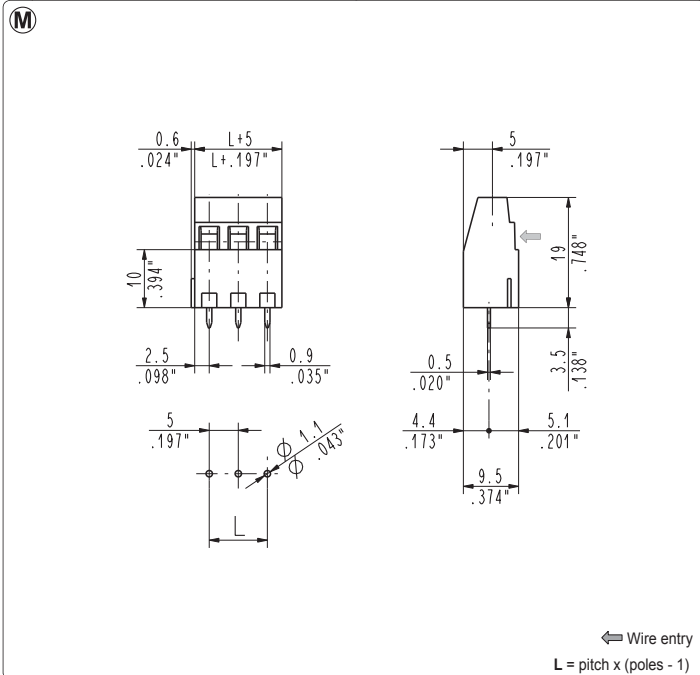
Assembled Terminal Blocks

Poles	Code	Pcs/pack.	W [kg]*	Pcs/ind.**	W [kg]*
01	PSB010H6	250	0,49	1000	1,96
02	PSB020H6	125	0,49	750	2,94
03	PSB030H6	110	0,65	750	4,41
04	PSB040H6	80	0,63	750	5,88
05	PSB050H6	60	0,59	500	4,90
06	PSB060H6	45	0,53	500	5,88
07	PSB070H6	35	0,48	250	3,43
08	PSB080H6	35	0,55	250	3,92
09	PSB090H6	30	0,53	150	2,65
10	PSB100H6	25	0,49	150	2,94
11	PSB110H6	25	0,54	100	2,16
12	PSB120H6	25	0,59	100	2,35
13	PSB130H6	15	0,38	100	2,55

Distributed by:



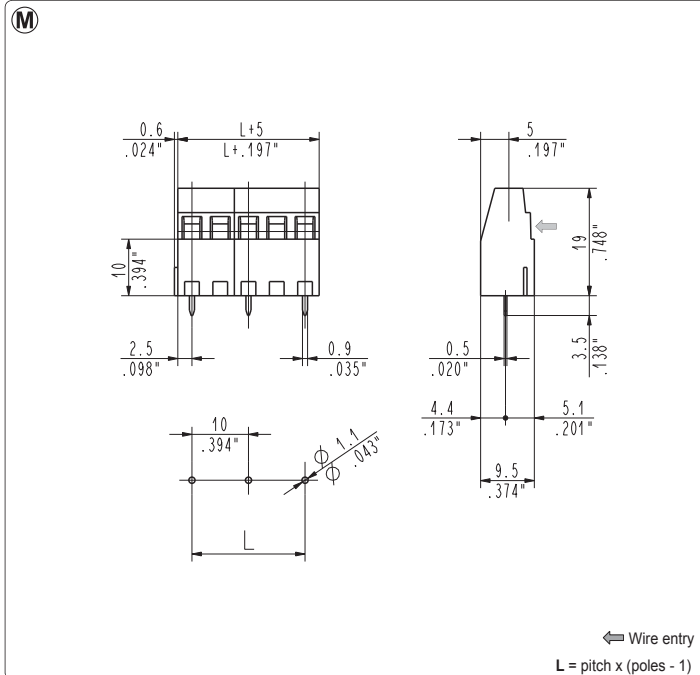
www.texim-europe.com



Wire entry
L = pitch x (poles - 1)

PSB_0M1 medium tower modular
5.00 mm / .197" pitch

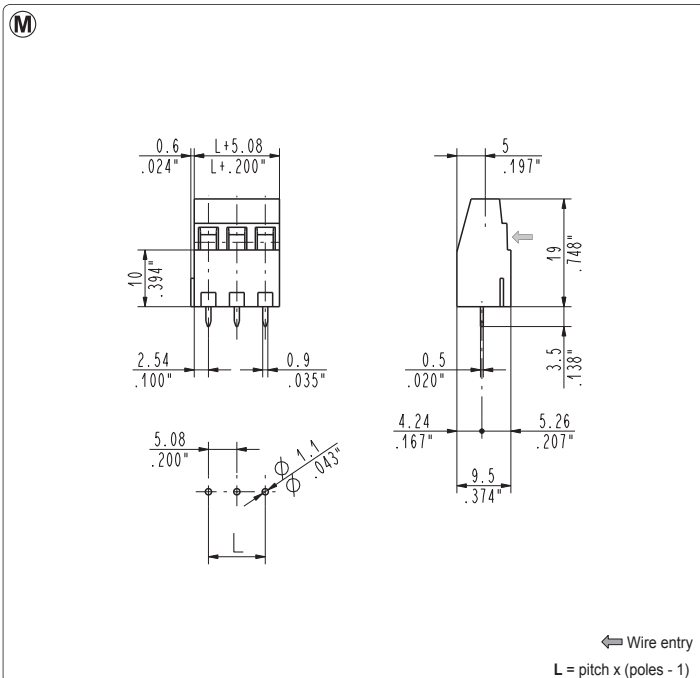
Single Mould Terminal Blocks					
Poles	Code	Pcs/pack.	W [kg]*	Pcs/ind.**	W [kg]*
02	PSB020M1	400	0,96	1250	3,13
03	PSB030M1	250	0,90	1000	3,76
04	PSB040M1	190	0,95	750	3,76
05	PSB050M1	165	1,03	750	4,70
06	PSB060M1	140	1,05	750	5,63
07	PSB070M1	120	1,05	750	6,57
08	PSB080M1	95	0,95	500	5,01



Wire entry
L = pitch x (poles - 1)

PSB_0M2 medium tower modular
10 mm / .394" pitch

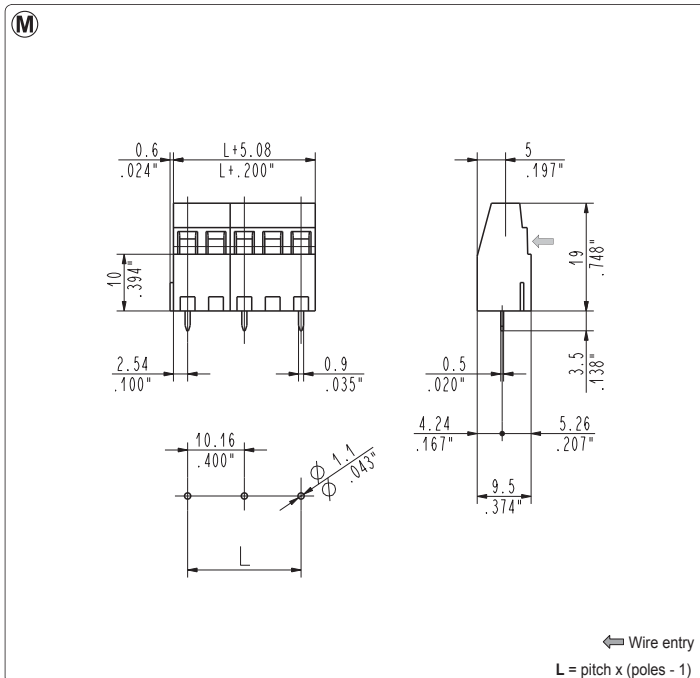
Assembled Terminal Blocks					
Poles	Code	Pcs/pack.	W [kg]*	Pcs/ind.**	W [kg]*
01	PSB010M2	400	0,58	1250	1,83
02	PSB020M2	250	0,73	1000	2,92
03	PSB030M2	165	0,72	750	3,29
04	PSB040M2	120	0,70	750	4,38
05	PSB050M2	95	0,69	500	3,65
06	PSB060M2	70	0,61	500	4,38
07	PSB070M2	50	0,51	250	2,56
08	PSB080M2	50	0,58	250	2,92
09	PSB090M2	45	0,59	150	1,97
10	PSB100M2	30	0,44	150	2,19
11	PSB110M2	30	0,48	100	1,61
12	PSB120M2	30	0,53	100	1,75
13	PSB130M2	25	0,47	100	1,90



Wire entry
L = pitch x (poles - 1)

PSB_0M5 medium tower modular
5.08 mm / .200" pitch

Single Mould Terminal Blocks					
Poles	Code	Pcs/pack.	W [kg]*	Pcs/ind.**	W [kg]*
02	PSB020M5	400	0,96	1250	3,13
03	PSB030M5	250	0,90	1000	3,76
04	PSB040M5	190	0,95	750	3,76
05	PSB050M5	165	1,03	750	4,70
06	PSB060M5	140	1,05	750	5,63
07	PSB070M5	120	1,05	750	6,57
08	PSB080M5	95	0,95	500	5,01



Wire entry
L = pitch x (poles - 1)

PSB_0M6 medium tower modular
10.16 mm / .400" pitch

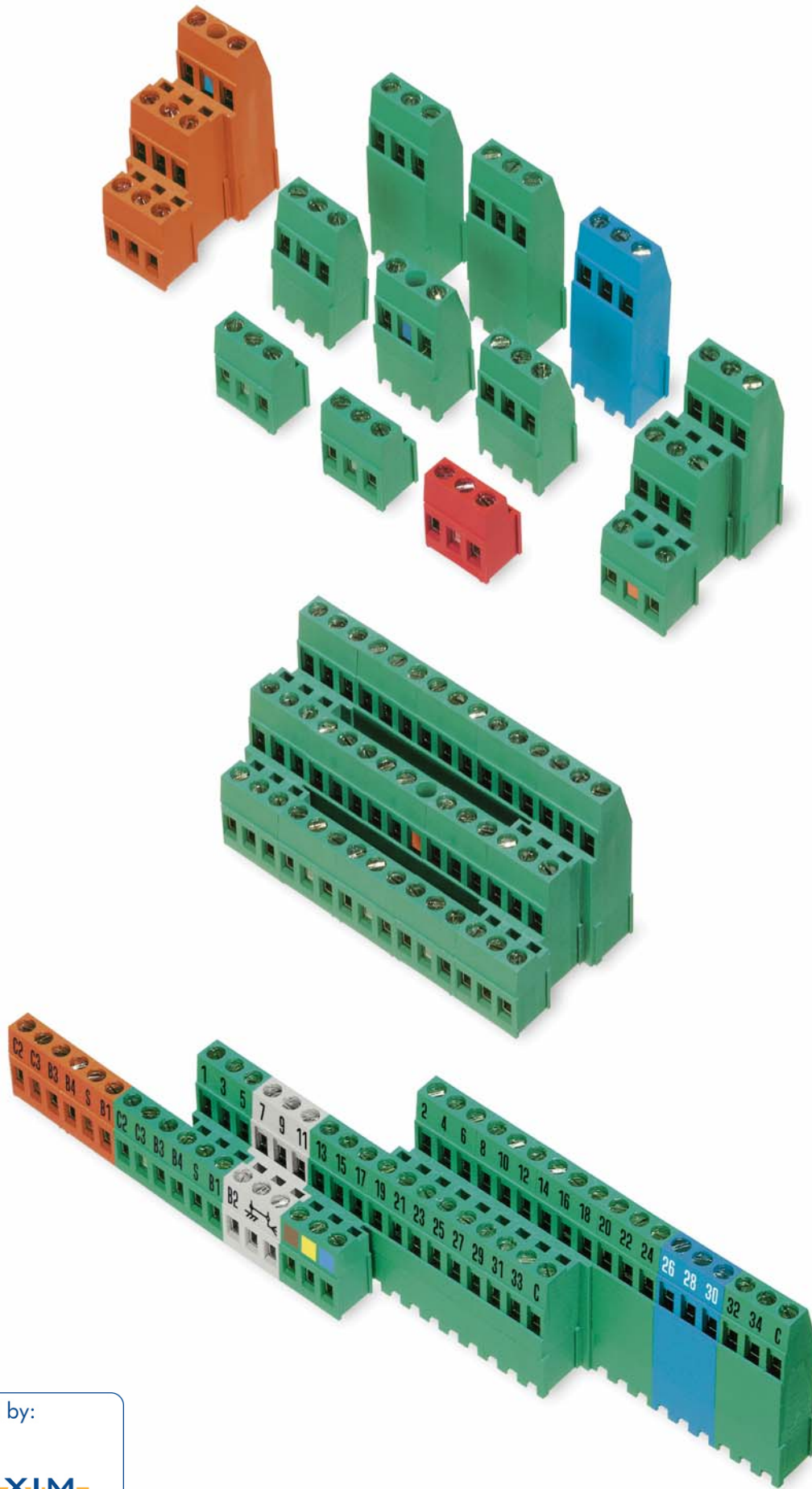
Assembled Terminal Blocks					
Poles	Code	Pcs/pack.	W [kg]*	Pcs/ind.**	W [kg]*
01	PSB010M6	400	0,58	1250	1,83
02	PSB020M6	250	0,73	1000	2,92
03	PSB030M6	165	0,72	750	3,29
04	PSB040M6	120	0,70	750	4,38
05	PSB050M6	95	0,69	500	3,65
06	PSB060M6	70	0,61	500	4,38
07	PSB070M6	50	0,51	250	2,56
08	PSB080M6	50	0,58	250	2,92
09	PSB090M6	45	0,59	150	1,97
10	PSB100M6	30	0,44	150	2,19
11	PSB110M6	30	0,48	100	1,61
12	PSB120M6	30	0,53	100	1,75
13	PSB130M6	25	0,47	100	1,90

Distributed by:



*W [kg]: approximate weight per box in kg

**Industrial packaging: add "-00000E" at standard code



Distributed by:



www.texim-europe.com

TEXIM EUROPE

Partner in Electronic Components & Supply Chain Solutions



The Netherlands

Elektrostraat 17
NL-7483 PG Haaksbergen
Tel: +31 (0)53 573 33 33
Fax: +31 (0)53 573 33 30
nl@texim-europe.com



Denmark

Nørregade 15
DK-9240 Nibe
Tel: +45 88 20 26 30
Fax: +45 88 20 26 39
nordic@texim-europe.com



Belgium

Gentsesteenweg 1154-C22
Chaussée de Gand 1154-C22
B-1082 Brussel / Bruxelles
Tel: +32 (0)2 462 01 00
Fax: +32 (0)2 462 01 25
belgium@texim-europe.com



United Kingdom

St. Mary's House, Church Lane
Carlton Le Moorland
Lincoln LN5 9HS
Tel: +44 (0)1522 789 555
Fax: +44 (0)845 299 22 26
uk@texim-europe.com



Germany

Justus-von-Liebig-Ring 7-9
D-25451 Quickborn
Tel: +49 (0)4106 627 07-0
Fax: +49 (0)4106 627 07-20
germany@texim-europe.com



Germany

Martin-Kollar-Strasse 9
D-81829 München
Tel: +49 (0)89 436 086-0
Fax: +49 (0)89 436 086-19
germany@texim-europe.com



Austria

Warwitzstrasse 9
A-5020 Salzburg
Tel: +43 (0)662 216026
Fax: +43 (0)662 216026-66
austria@texim-europe.com

Texim Europe B.V.

Elektrostraat 17
NL-7483 PG Haaksbergen
Tel: +31 (0)53 573 33 33
info@texim-europe.com
www.texim-europe.com

