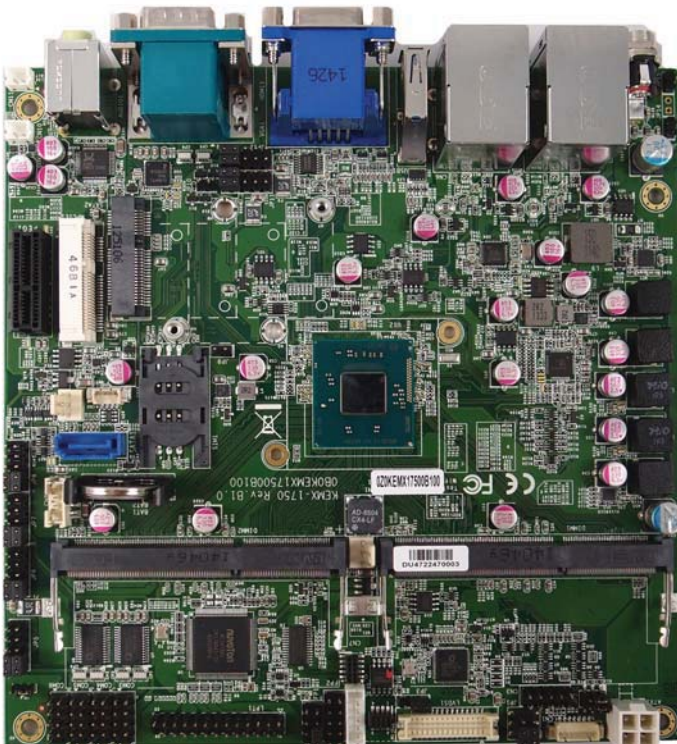


KEMX-1750 Series

Mini-ITX Form Factor with Intel® BayTrail Processors



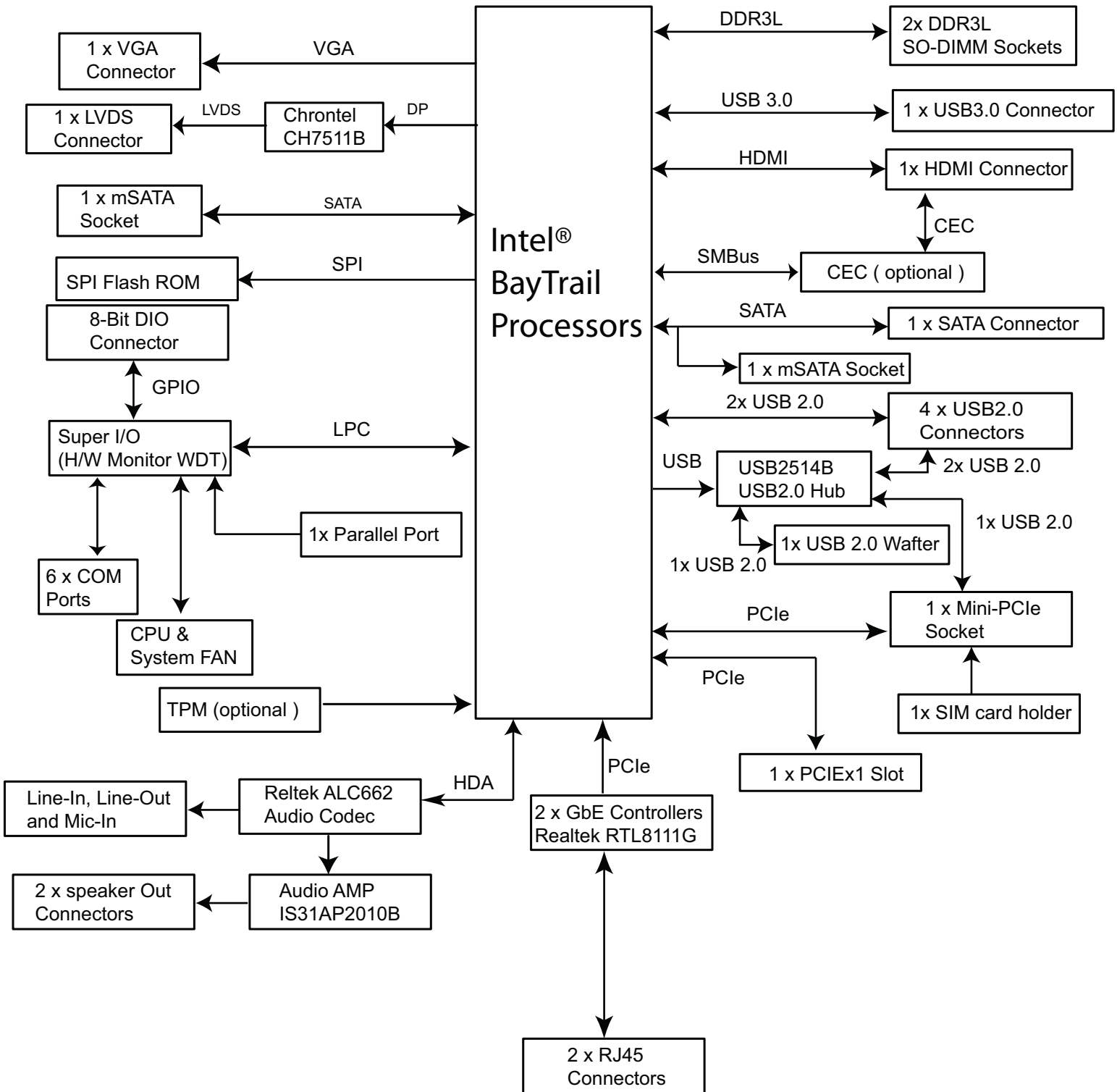
- Intel® BayTrail Processors
- 2x DDR3L SO-DIMM Socket
- 2x GbE, 6x COM, 5x USB 2.0, 1x USB 3.0
- 1x VGA, 1x HDMI
- 1x PS/2 KB&MS, 1x Parallel port
- 1x mini-PCIe socket, 1x PCIe x1 slot
- 1x SATA port, 1x mSATA socket, DIO

Distributed by:



www.texim-europe.com

Block Diagram

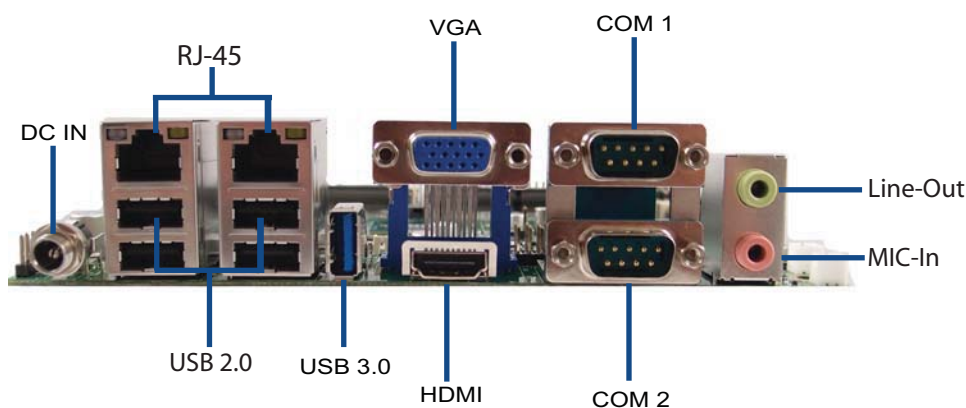


Technical Information

CPU Support	Intel® BayTrail SoC Processors
Memory	2x DDR3L 1333 MT/SO-DIMM
BIOS	AMI uEFI BIOS 1x 64Mb SPI flash ROM
Display	Chrontel CH7511B DP-to-LVDS Converter onboard 1x SPWG connector for 24-bit/2-ch LVDS support 1x Wafer for Panel Power supply 1x HDMI connector 1x VGA connector
Audio	Realtek ALC662 Audio Codec onboard 2x Audio Jacks on rear I/O for Line-out & MIC-In support ISSI IS31AP2010B 3W Audio Amplifier onboard 2x Wafers for Stereo Speaker output
LAN	2x GbE LANs Realtek RTL8111G Ethernet Controller support
Storage	1x 7P SATA Connector 1x Wafer for SATA HDD Power supply 1x mSATA Socket
Super I/O support	Nuvoton NCT6106D Super IO onboard 2x COM ports on rear I/O with RS-232/422/485 support 4x COM ports on 2x5-pin, pitch 2.54mm Headers for RS-232 support +5V/+12V Power Selection support for all COM ports. 1x CPU Smart FAN support 1x System Smart FAN support 1x Wafer for PS/2 KB & MS support 1x Header for Parallel port support 8-bit programmable DIO

USB	1x USB3.0 port on rear I/O 4x USB2.0 ports on rear I/O 1x USB2.0 port (internal)
Expansion Slot	1x mPCIe Socket 1x PCIe1 Slot 1x SIM card Module (Option)
MISC support	1x Header for Reset button, HDD LED and External Speaker support 1x Header for Power button, Power LED, Keyboard lock and SM bus support 1x Header for mPCIe activity LED support
Hardware Monitor	Voltages monitoring Temperature monitoring
Watchdog Timer	Programmable WDT to generate System reset event
Power	ACPI 5.0 support 1x DC Jack /ATX4P for 12-24VDC Power Input ATX/AT Mode Support
TPM	Option Intersil SLB9635 for TPM support
OS Support	Windows 7, Windows 8, Linux
Dimensions	170 x 170mm
Environment	Operating Temp.: 0°C - 60°C Storage Temp.: -20°C - 80°C Humidity: 0% - 95%
Certifications	CE, FCC Class A

KEMX-1750 Series Rear I/O



Ordering Information

Article	Description
KEMX-1750 (Default)	Mini-ITX CPU Board, Intel® Celeron® BayTrail Quad Core J1900 Processor, 2x DDR3L SODIMM up to 8GB, 2 x GbE LANs, DIO, 1 x mini-PCIe, 6 x COMs, 1x VGA, 1x HDMI, 5x USB 2.0, and 1x USB 3.0
KEMX-1751*	Mini-ITX CPU Board, Intel® Atom™ BayTrail Quad Core E3845 Processor, 2x DDR3L SODIMM up to 8GB, 2 x GbE LANs, DIO, 1 x mini-PCIe, 6 x COMs, 1x VGA, 1x HDMI, 5x USB 2.0, and 1x USB 3.0
KEMX-1752*	Mini-ITX CPU Board, Intel® Atom™ BayTrail Dual Core E3825 Processor, 1x DDR3L SODIMM up to 4GB, 2 x GbE LANs, DIO, 1 x mini-PCIe, 6 x COMs, 1x VGA, 1x HDMI, 5x USB 2.0, and 1x USB 3.0

* By project