

SPECIFICATION for APPROVAL**1. Product Purpose And General Description**

Powered by a regulated 12 Volt DC power source, the EH/34NGF/3N3; 58 is designed to drive 6 strings of LED backlight Module.

It has been optimized for LED backlight as the following LIST:

LED SIZE	LCM Model	Brand	Remark

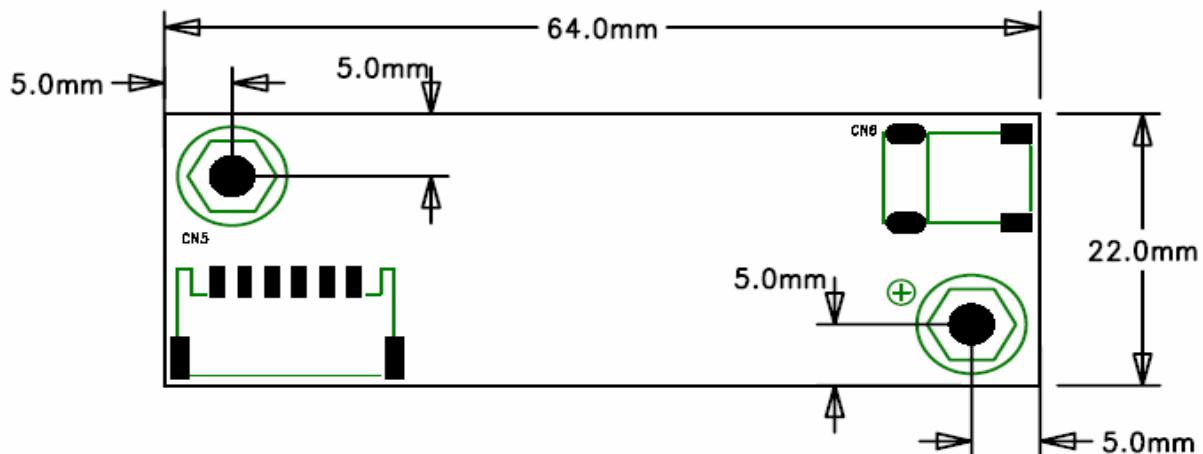
This product has the following features:

- Open LED protection.
- Constant LED current.
- 100% Full-Load Tested.
- Designed, Manufactured in Taiwan and Supported Worldwide.

SPECIFICATION for APPROVAL

2. Physical Dimension, Pin & Connector Assignment

Physical Dimension:



Note:

1. UNIT: mm
2. SIZE: 64 mm × 22 mm × 7.6 mm
3. PCB Thickness 1.6 mm
4. The Height of Top-side is 6.0 mm (Max)
5. The Height of Bottom-side is 0.0 mm

Pin & Connector Assignment:

CN5: CviLux CI0106M1HR0-LF or Equivalent

Pin No	Symbol	Description
1	VIN	DC +12V
2	VIN	DC +12V
3	ON/OFF	OFF=0V
		ON=+3V
4	DIM	MIN BRIGHTNESS: 3V
		MAX BRIGHTNESS: 0V
5	GND	GROUND
6		GROUND

SPECIFICATION for APPROVAL***CN6 : CviLux CP05-2-P1MRO or Equivalent***

Pin No	Symbol	Description
1	LED +	Positive
2	LED -	Negative

3. Absolute Maximum Ratings ^(Note 1)

Rating	Symbol	Value	Units
Input Voltage	$V_{in,max}$	+13.5	V_{DC}
Operating Temperature	$T_{a,max}$	-10 -- +50	°C
Storage Temperature	$T_{s,max}$	-20 -- +80	°C
Operating Humidity (without dewdrop)	$H_{a,max}$	80 %	R.H
(without dewdrop)	$H_{s,max}$	95 %	R.H

(Note 1):

Reliable and predictable operation of the device is not guaranteed with applied stresses at or beyond those listed in “Absolute Maximum Ratings”. Operation at these limits may reduce device reliability and is therefore not recommended. Please refer to “Recommended Operating Conditions” for reliable operation of the device.

4. Recommended Operating Conditions ^(Note 2)

Rating	Symbol	Value	Units
Input Voltage	V_{in}	11.4 ~ 12.6	V_{DC}
Operating Temperature	T_a	20 ~ 40	°C
Operating Humidity	$H_{a,max}$	40 ~ 60 %	R.H

(Note 2):

Reliable operation above 50°C is possible if airflow is provided.

SPECIFICATION for APPROVAL
5. Electrical Characteristics and Specifications (Note 3)

Unless otherwise noted $V_{in}=12.0$ Volts DC, $T_a=25^{\circ}\text{C}$ and unit has been running for over 30 minutes.

<i>Parameter</i>	<i>Symbol</i>	<i>Min.</i>	<i>Typ.</i>	<i>Max.</i>	<i>Unit</i>	<i>Remarks (Test Condition)</i>
<i>Input Specification</i>						
Input Voltage	V_{in}	10.8	12.0	13.2	V_{DC}	
Input Current	I_{in}	0.28	0.33	0.38	A_{DC}	
On/Off control	<i>ON/OFF</i>	-	3.0	-	V_{DC}	ON STATE
		-	0	-		OFF STATE
Dimming Control	<i>DIM</i>	-	3	-	V_{DC}	MIN BRIGHTNESS
		-	0	-		MAX BRIGHTNESS
<i>Output Specification</i>						
LED Forward Voltage (Refer to the specification of light bar)	V_f	-	17	-	V_{DC}	
LED Forward Current	I_f	345	360	375	mA_{DC}	

(Note 3)

Manufactured by Ej ghtgg"Vgej pqmqi { Inc., has been applied for all the measurements.