

2J0115 (DATASHEET)

Type
Frequencies
Mounting
Revision

ISM antenna for short range applications
ISM (433/868/915 MHz)
Telematics Mount
00



Tipul
P. Tipul



1. PRODUCT SELECTOR

PN: 2J0115-XXX-Cxx

2J0115- product name
XXX - center frequency in MHz
Cxx - connector type

2J0115-433-C109N	SMA male R/A connector
2J0115-868-C109N	
2J0115-915-C109N	
2J0115-433-C20N	SMA male connector
2J0115-868-C20N	
2J0115-915-C20N	
2J0115-433-C257N	FME female connector
2J0115-868-C257N	
2J0115-915-C257N	
2J0115-433-C131N	FME female R/A connector
2J0115-868-C131N	
2J0115-915-C131N	

2. SPECIFICATION

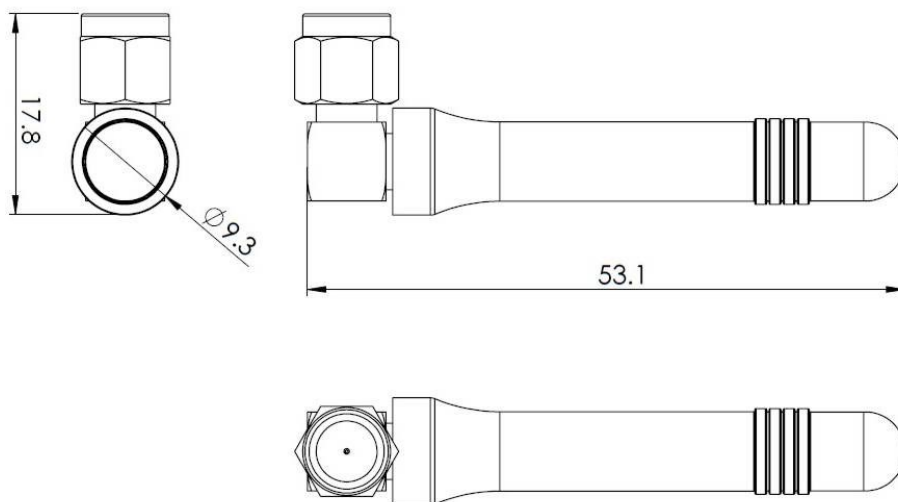
2.1. Electrical Specifications

Frequencies	ISM (433MHz / 868MHz / 915MHz)
Impedance	50 Ohms
Polarization	Linear
Gain	0 dBi
VSWR	<2:1
Power handling	25W
Operating temperature	-40°C to +85°C

2.2. Mechanical Specifications and Dimensions

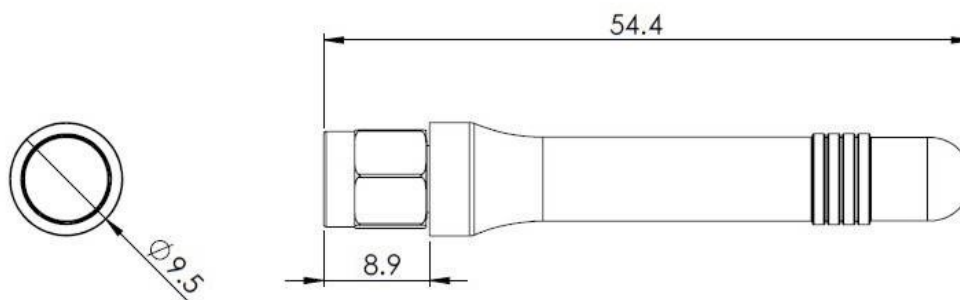
2.2.1. 2J0115-XXX-C109N

Connector:	SMA male R/A
Material:	TPE
Max. dimensions:	9.3mm x 53.1mm x 17.8mm (D x H x L)
Weight:	7.6 g
Colour:	Black (for different colours please ask our sales team)



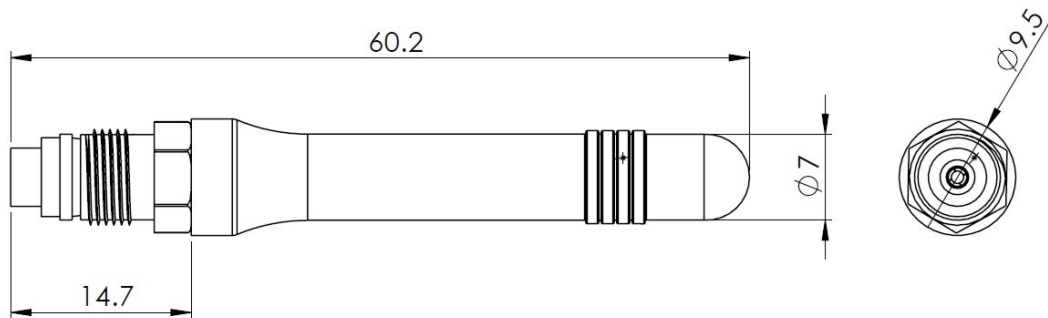
2.2.2. 2J0115-XXX-C20N

Connector:	SMA male
Material:	TPE
Max. dimensions:	9.5mm x 54.4mm (D x H)
Weight:	7.2 g
Colour:	Black (for different colours please ask our sales team)



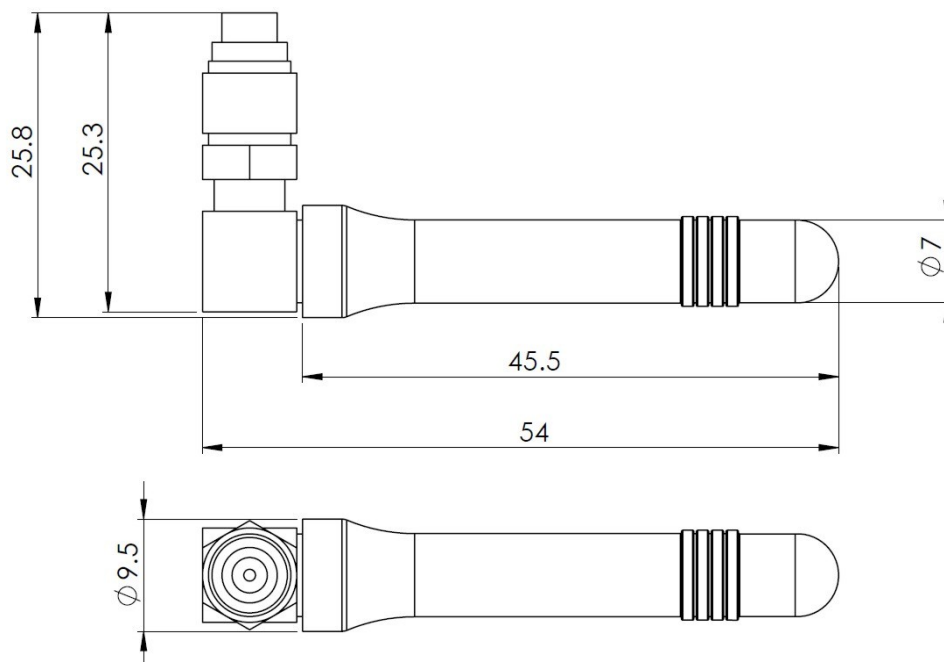
2.2.3. 2J0115-XXX-C257N

Connector:	FME female
Material:	TPE
Max. dimensions:	9.5mm x 60.2mm (D x H)
Weight:	7.3 g
Colour:	Black (for different colours please ask our sales team)



2.2.4. 2J0115-XXX-C131N

Connector:	FME female R/A
Material:	TPE
Max. dimensions:	9.5mm x 54mm x 25.8mm (D x H x L)
Weight:	7.6 g
Colour:	Black (for different colours please ask our sales team)

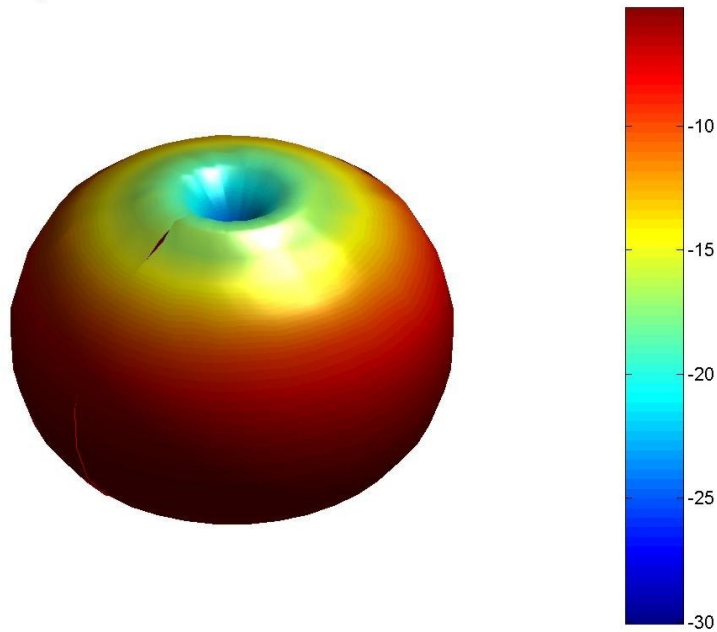


3. MEASUREMENT

3.1. 433MHz

- 3D radiation pattern

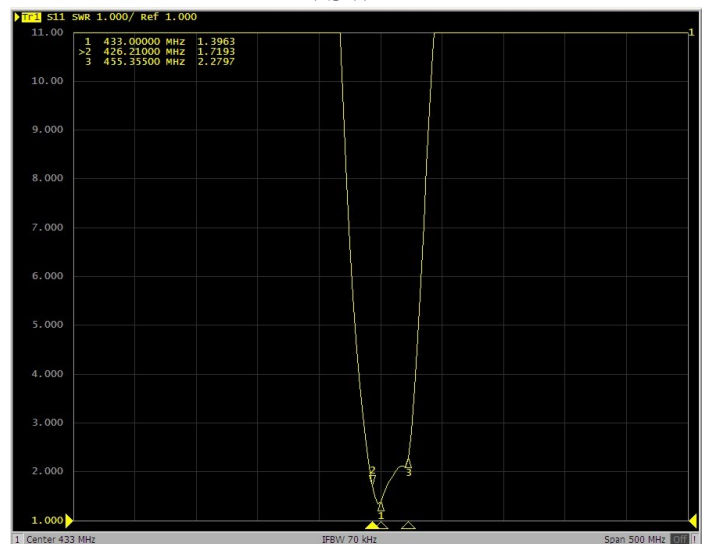
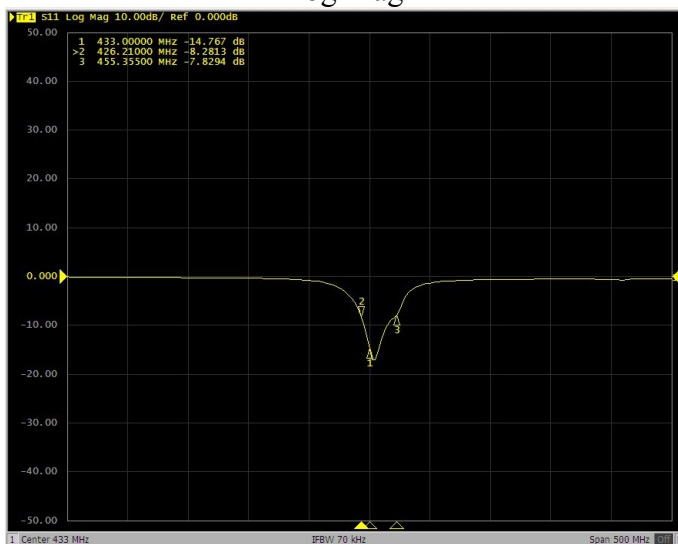
433MHz
 Freq = 0.4330GHz Az= 45 EL= 45



- S11

Log Mag

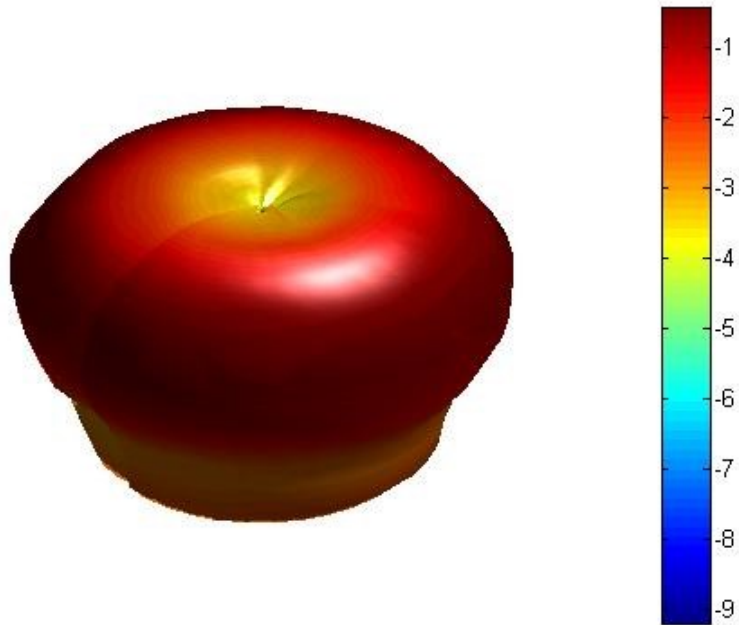
VSWR



3.2. 868MHz

- 3D radiation pattern

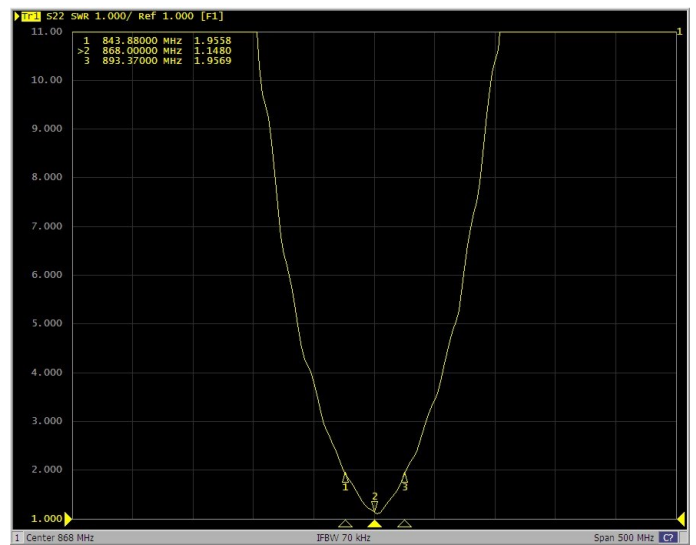
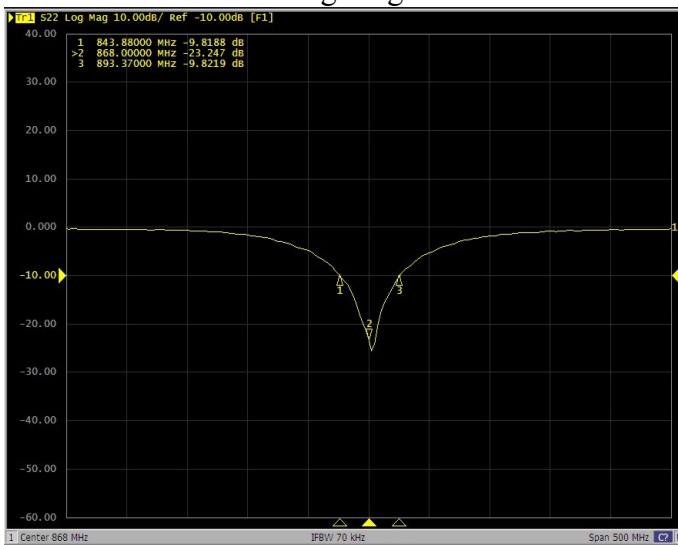
868MHz
 Freq = 0.8680GHz Az= 45 EL= 45



- S11

Log Mag

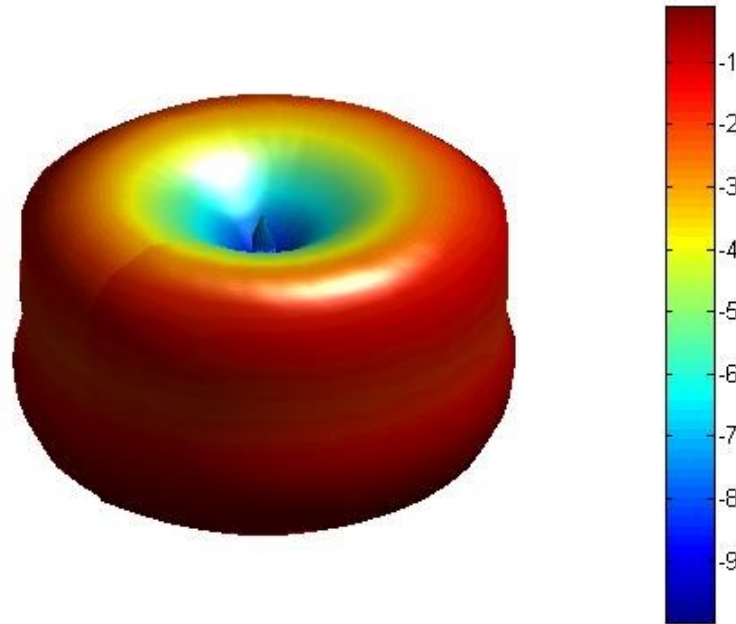
VSWR



3.3. 915MHz

- 3D radiation pattern

915MHz
 Freq = 0.9155GHz Az= 45 EL= 45



- S11

Log Mag

VSWR

