

Distributed by:

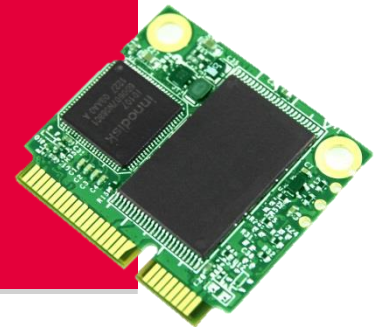


www.texim-europe.com

Datasheet

mSATA mini 3IE series

- SATA 6Gb/s interface
- iSMART disk health monitoring
- Intelligent error recovery system
- Excellent data transfer speed
- Zero mechanical interference
- Anti-vibration mechanical design
- JEDEC standard MO-300 dimension



Introduction

Innodisk mSATA mini 3IE is designed as the standard Mini PCIe form factor with SATA interface, and supports SATA III standard (6.0Gb/s) with excellent performance. The form factor refers to the MO-300 / MO-300B specification which established by JEDEC. Regarding of mechanical interference, Innodisk mSATA mini 3IE absolutely replaces the traditional hard disk and makes personal computer, in any field, smaller and easier.

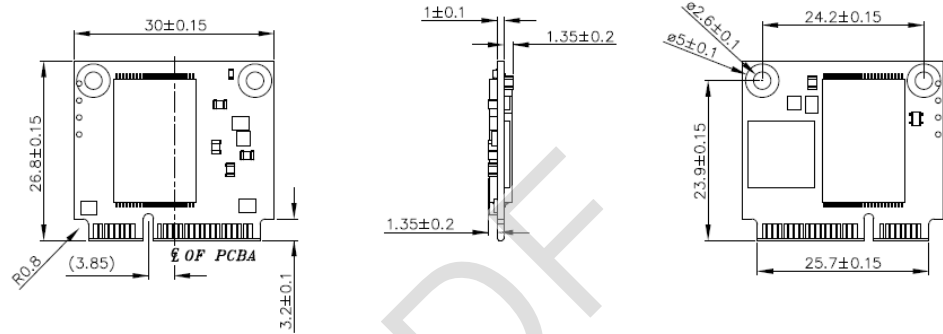
Innodisk mSATA mini 3IE effectively reduces the booting time of operation system and the power consumption is less than hard disk drive (HDD), and complies with ATA protocol, no additional drives are required, and can be configured as a boot device or data storage device.

mSATA mini 3IE series

Contact us for more information
about the mSATA mini 3IE.

Innodisk is a service-driven provider of industrial embedded flash storage products and technologies, with a focus on the cloud computing, industrial/embedded, and aerospace and defense industries.

Diagram



Headquarters (Taiwan)

5F., No.237, Sec. 1, Datong Rd.,
Xizhi Dist., New Taipei City,
Taiwan (R.O.C.)
Tel: +886-2-77033000
Email: sales@innodisk.com

Branch Offices:

USA
usasales@innodisk.com
+1-510-770-9421

Europe
eusales@innodisk.com
+31-(0)40-282-1818

Japan
jpsales@innodisk.com
+81-45-5947581

China
sales_cn@innodisk.com
+86-755-21673689
www.innodisk.com

© 2015 Innodisk Corporation.
All right reserved. Specifications
are subject to change without
prior notice.

Specifications

Interface	SATA III
Flash Type	iSLC
Capacity	8GB~32GB
Max. Channels	2
Sequential R/W (MB/sec, max.)	240/180
Max. Power Consumption	0.5 W (3.3V x 150 mA)
Thermal Sensor	WT only
External DRAM buffer	-
H/W Write Protect	-
ATA Security	√
S.M.A.R.T.	√
Dimension (WxLxH)	30.0 X 26.8 X 3.7 mm
Environment	Vibration: 20G @7~2000Hz Shock: 1500G @ 0.5ms Storage Temperature: -55°C ~ +95°C MTBF: 3 million hours

20150211

Ordering Information

Operation Temp.	8GB	16GB	32GB
Standard Grade (0°C ~ +70°C)	DHMSM-08GD073C1DC	DHMSM-16GD073C1DC	DHMSM-32GD073C1DC
Industrial Grade (-40°C ~ +85°C)	DHMSM-08GD072W1DC	DHMSM-16GD072W1DC	DHMSM-32GD072W1DC

innodisk

Distributed by:



www.texim-europe.com