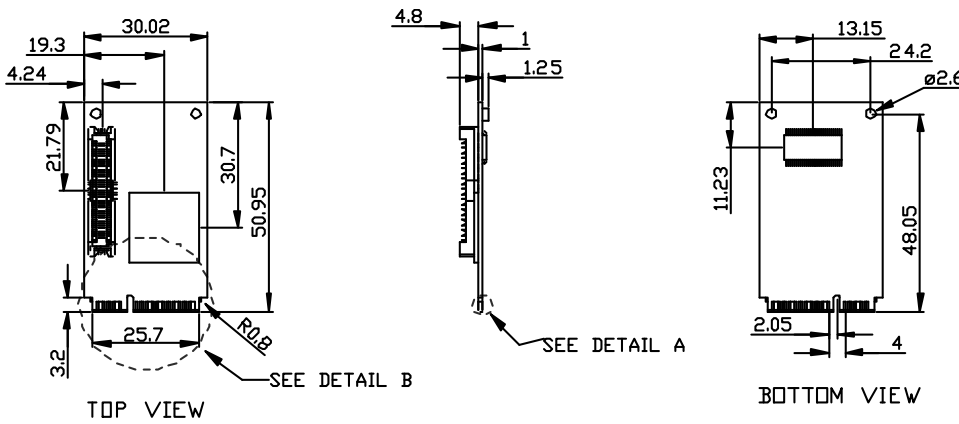


**Features**

- VGA Output up to 1920x1080, up to 75Hz vertical rate.
- 18 bit LVDS supports up to 1600 x 1200.
- Allow for 90°, 180°, and 270° rotation of on-screen images.
- 30μ" golden finger, 3 years warranty.
- Industrial design. Manufactured in innodisk Taiwan.

**Mechanical Drawing**



18 bits LVDS + VGA

Signal	Pin	Pin	Signal
+5V	2	1	+3.3V
+5V	4	3	+3.3V
I2C_DATA	6	5	I2C_CLK
GND	8	7	GND
LVDS_D0+	10	9	LVDS_D1+
LVDS_D0-	12	11	LVDS_D1-
GND	14	13	GND
LVDS_D2+	16	15	LVDS_D3+
LVDS_D2-	18	17	LVDS_D3-
GND	20	19	GND
R_0	22	21	B_0
G_0	24	23	
GND	26	25	GND
H_Sync	28	27	DDC_SCL
V_Sync	30	29	DDC_SDA
GND	32	31	GND
LVDS_CLK+	34	33	
LVDS_CLK-	36	35	
GND	38	37	GND
	40	39	

**Specifications**

**Headquarters (Taiwan)**  
5F., No. 237, Sec. 1, Datong Rd.,  
Xizhi Dist., New Taipei City 221,  
Taiwan  
Tel: +886-2-77033000  
Email: sales@innodisk.com

**Branch Offices:**

**USA**  
[usasales@innodisk.com](mailto:usasales@innodisk.com)  
+1-510-770-9421

**Europe**  
[eusales@innodisk.com](mailto:eusales@innodisk.com)  
+31-040-282-1818

**Japan**  
[jpsales@innodisk.com](mailto:jpsales@innodisk.com)  
+81-45-594-7581

**China**  
[sales\\_cn@innodisk.com](mailto:sales_cn@innodisk.com)  
+86-755-21673689

[www.innodisk.com](http://www.innodisk.com)

© 2014 Innodisk Corporation.  
All right reserved. Specifications  
are subject to change without  
prior notice.

June 22, 2015

Form-Factor	mini PCIe
Input I/F	PCI Express 1.0
Output I/F	VGA, 18 bit LVDS
Output Connector	40pin 1.25mm (40DP-1.25)
Controller	SM750
TDP	1.98W(3.3V x 600mA)
Dimension (WxLxH)	50.95 x 30 x 8.2 mm, Weight: 8.5g
Temperature	Operation: STD: 0°C ~ +70°C
Environment	Vibration: 5G @7~2000Hz, Shock: 50G @ 0.5ms
Notes	Need to connect external 5V power for LVDS panel.  OS Support : Windows XP (32 bit), Windows 7 (32/64 bit), Windows 8 (64 bit), Linux Ubuntu 12.10(64 bit), Linux Fedora 18, Linux RedHat Enterprise 6.3.  Please download driver from Myinnodisk website.

**Order information**

**EMPV-1202**  
mPCIe to VGA & 18 bit LVDS module

# TEXIM EUROPE

Partner in Electronic Components & Supply Chain Solutions



## The Netherlands

Elektrostraat 17  
NL-7483 PG Haaksbergen  
Tel: +31 (0)53 573 33 33  
Fax: +31 (0)53 573 33 30  
nl@texim-europe.com



## Denmark

Sdr. Jagtvej 12  
DK-2970 Hørsholm  
Tel: +45 88 20 26 30  
Fax: +45 88 20 26 39  
nordic@texim-europe.com



## Belgium

Gentsesteenweg 1154-C22  
Chaussée de Gand 1154-C22  
B-1082 Brussel / Bruxelles  
Tel: +32 (0)2 462 01 00  
Fax: +32 (0)2 462 01 25  
belgium@texim-europe.com



## United Kingdom

St. Mary's House, Church Lane  
Carlton Le Moorland  
Lincoln LN5 9HS  
Tel: +44 (0)1522 789 555  
Fax: +44 (0)845 299 22 26  
uk@texim-europe.com



## Germany

Bahnhofstrasse 92  
D-25451 Quickborn  
Tel: +49 (0)4106 627 07-0  
Fax: +49 (0)4106 627 07-20  
germany@texim-europe.com



## Germany

Martin-Kollar-Strasse 9  
D-81829 München  
Tel: +49 (0)89 436 086-0  
Fax: +49 (0)89 436 086-19  
germany@texim-europe.com



## Austria

Warwitzstrasse 9  
A-5020 Salzburg  
Tel: +43 (0)662 216026  
Fax: +43 (0)662 216026-66  
austria@texim-europe.com

## Texim Europe B.V.

Elektrostraat 17  
NL-7483 PG Haaksbergen  
Tel: +31 (0)53 573 33 33  
info@texim-europe.com  
www.texim-europe.com

