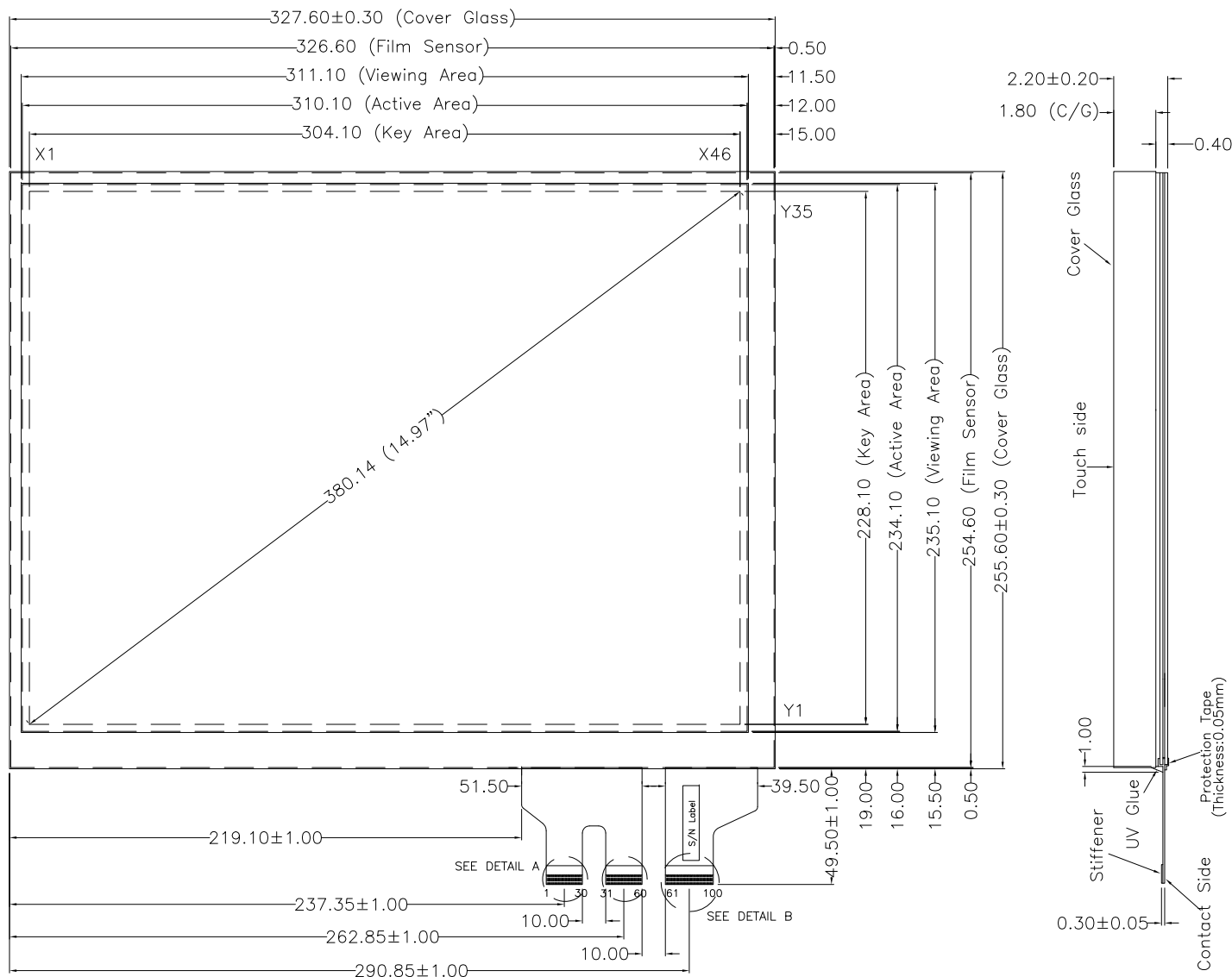
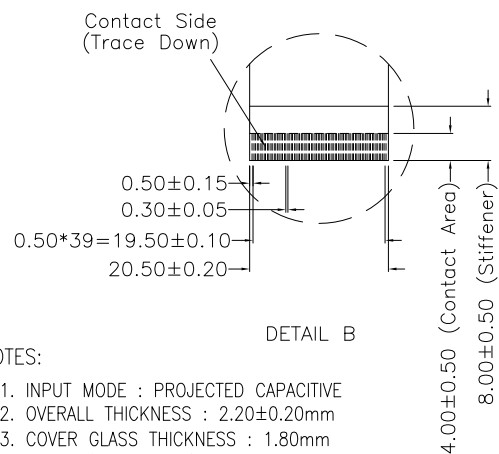
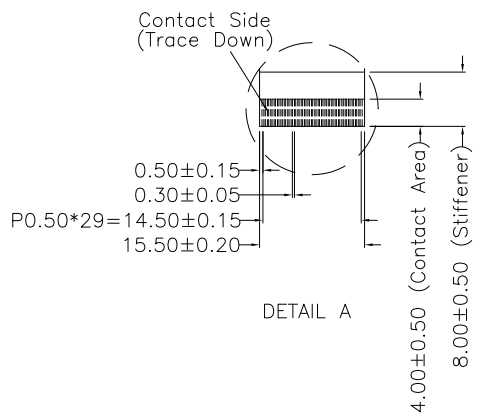


Touch Side View

| CONNECTOR PINOUT | |
|------------------|----------------|
| PIN# | DESIGNATION |
| 1 | Blank |
| 2-3 | Grounding Line |
| 4-5 | Blank |
| 6-28 | X1-X23 |
| 29-33 | Blank |
| 34-56 | X24-X46 |
| 57-59 | Blank |
| 60-61 | Grounding Line |
| 62 | Blank |
| 63-97 | Y1-Y35 |
| 98-99 | Blank |
| 100 | Grounding Line |



NOTES:

1. INPUT MODE : PROJECTED CAPACITIVE
2. OVERALL THICKNESS : 2.20±0.20mm
3. COVER GLASS THICKNESS : 1.80mm
4. FRONT SURFACE : CLEAR TYPE
5. TAIL TYPE : GOLD PLATED FPC , ZIF
6. RECOMMENDED CONTROL BOARDS : PENMOUNT PM1400 SERIES
7. OTHER SPEC : SEE APPROVAL SHEET
8. PLEASE REFER TO AMT TOUCH SCREEN INTEGRATION GUIDES FOR SYSTEM MECHANICAL DESIGN AND ASSEMBLY METHODS

Distributed by:



Apex Material Technology Corp.

| | | | | | | |
|-----------------|---------------|------------------------|---------------|-----------------------------|--------|------------------------|
| A | SEP. 26, 2011 | EMI SHIELD FILM MODIFY | Jerry | TOLERANCES UNLESS SPECIFIED | | DWG NO :P3013-A2-1-011 |
| NO. | DATE | DESCRIPTION | CHK | .X | ± 0.50 | |
| REVISION | | | | .XX | ± 0.50 | SCALE: N/S UNIT: mm |
| CHIEF OF DESIGN | | APPROVED | Jerry | .XXX | ± 0.30 | SHEET 1 OF 1 |
| DRAWN BY | Jasper | DATE | NOV. 21, 2013 | ANGULAR | | |

TEXIM EUROPE

Partner in Electronic Components & Supply Chain Solutions



The Netherlands

Elektrostraat 17
NL-7483 PG Haaksbergen
Tel: +31 (0)53 573 33 33
Fax: +31 (0)53 573 33 30
nl@texim-europe.com



Belgium

Gentsesteenweg 1154-C22
Chaussée de Gand 1154-C22
B-1082 Brussel / Bruxelles
Tel: +32 (0)2 462 01 00
Fax: +32 (0)2 462 01 25
belgium@texim-europe.com



Denmark

Sdr. Jagtvej 12
DK-2970 Hørsholm
Tel: +45 88 20 26 30
Fax: +45 88 20 26 39
nordic@texim-europe.com



Germany

Bahnhofstrasse 92
D-25451 Quickborn
Tel: +49 (0)4106 627 07-0
Fax: +49 (0)4106 627 07-20
germany@texim-europe.com



Germany

Martin-Kollar-Strasse 9
D-81829 München
Tel: +49 (0)89 436 086-0
Fax: +49 (0)89 436 086-19
germany@texim-europe.com



Austria

Warwitzstrasse 9
A-5020 Salzburg
Tel: +43 (0)662 216026
Fax: +43 (0)662 216026-66
austria@texim-europe.com



United Kingdom

St. Mary's House, Church Lane
Carlton Le Moorland
Lincoln LN5 9HS
Tel: +44 (0)1522 789 555
Fax: +44 (0)845 299 22 26
uk@texim-europe.com

For more information: www.texim-europe.com

