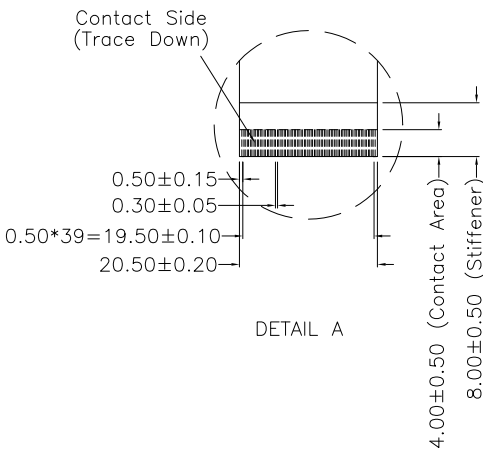
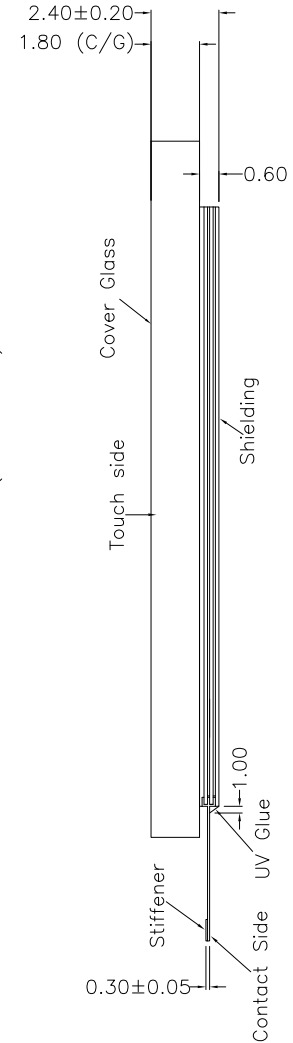
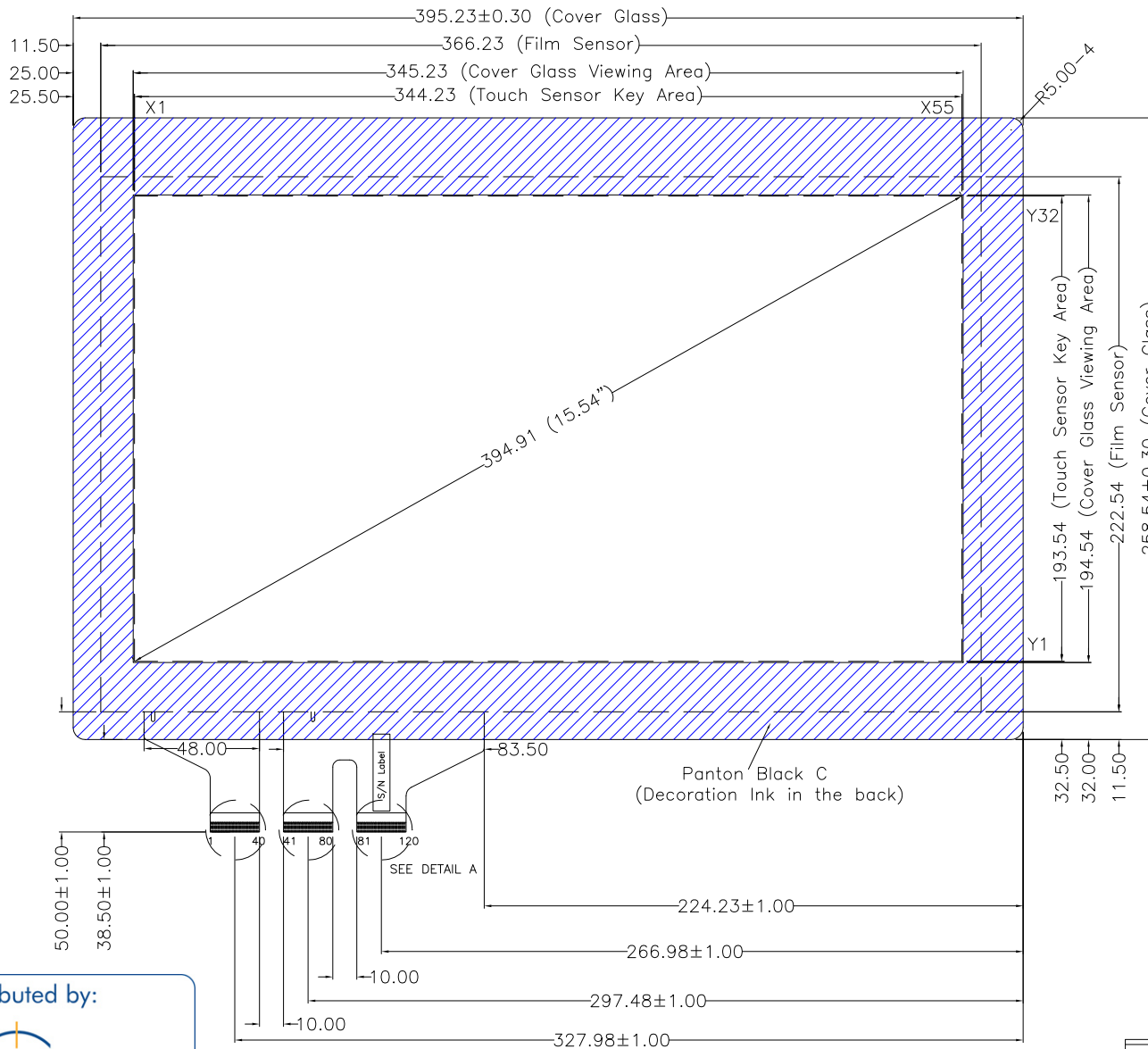


Touch Side View

CONNECTOR PINOUT	
PIN#	DESIGNATION
1	Shielding
2-16	Blank
17-48	Y32-Y1
49	Blank
50-51	Grounding Line
52	Blank
53-107	X1-X55
108-119	Blank
120	Grounding Line



- NOTES:
- INPUT MODE : PROJECTED CAPACITIVE
 - OVERALL THICKNESS : 2.40±0.20mm
 - COVER GLASS THICKNESS : 1.80mm
 - FRONT SURFACE : CLEAR TYPE
 - TAIL TYPE : GOLD PLATED FPC , ZIF
 - RECOMMENDED CONTROL BOARDS : PENMOUNT PM1500 SERIES
 - OTHER SPEC : SEE APPROVAL SHEET
 - PLEASE REFER TO AMT TOUCH SCREEN INTEGRATION GUIDES FOR SYSTEM MECHANICAL DESIGN AND ASSEMBLY METHODS



NO.	DATE	DESCRIPTION	CHK
REVISION			
CHIEF OF DESIGN		APPROVED	Jerry
ENGINEER		PROJECT MANAGER	
DRAWN BY	Andre	DATE	MAY 20, 2013
SHT	1 OF 1	REV.	0

Apex Material Technology Corp.			
TOLERANCES UNLESS SPECIFIED		MODEL NAME : P3016-0G	
.X	± 0.50	DWG NO : P3016-0G-0-011	
.XX	± 0.50	SCALE: N/S UNIT: mm	
.XXX	± 0.30		
ANGULAR	.		

TEXIM EUROPE

Partner in Electronic Components & Supply Chain Solutions



The Netherlands

Elektrostraat 17
NL-7483 PG Haaksbergen
Tel: +31 (0)53 573 33 33
Fax: +31 (0)53 573 33 30
nl@texim-europe.com



Belgium

Gentsesteenweg 1154-C22
Chaussée de Gand 1154-C22
B-1082 Brussel / Bruxelles
Tel: +32 (0)2 462 01 00
Fax: +32 (0)2 462 01 25
belgium@texim-europe.com



Denmark

Sdr. Jagtvej 12
DK-2970 Hørsholm
Tel: +45 88 20 26 30
Fax: +45 88 20 26 39
nordic@texim-europe.com



Germany

Bahnhofstrasse 92
D-25451 Quickborn
Tel: +49 (0)4106 627 07-0
Fax: +49 (0)4106 627 07-20
germany@texim-europe.com



Germany

Martin-Kollar-Strasse 9
D-81829 München
Tel: +49 (0)89 436 086-0
Fax: +49 (0)89 436 086-19
germany@texim-europe.com



Austria

Warwitzstrasse 9
A-5020 Salzburg
Tel: +43 (0)662 216026
Fax: +43 (0)662 216026-66
austria@texim-europe.com



United Kingdom

St. Mary's House, Church Lane
Carlton Le Moorland
Lincoln LN5 9HS
Tel: +44 (0)1522 789 555
Fax: +44 (0)845 299 22 26
uk@texim-europe.com

For more information: www.texim-europe.com

