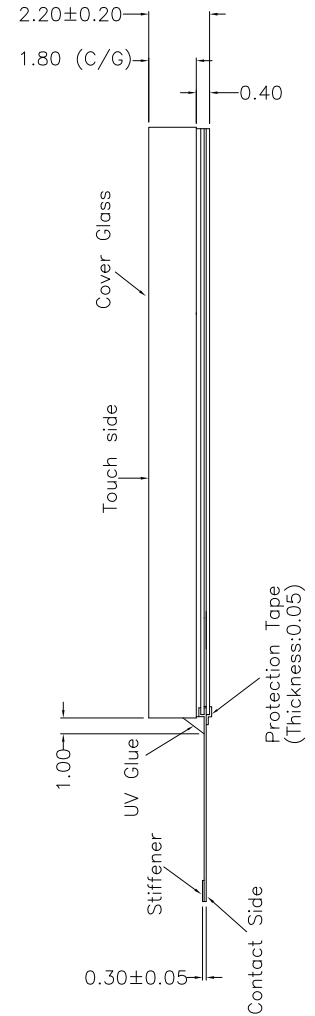
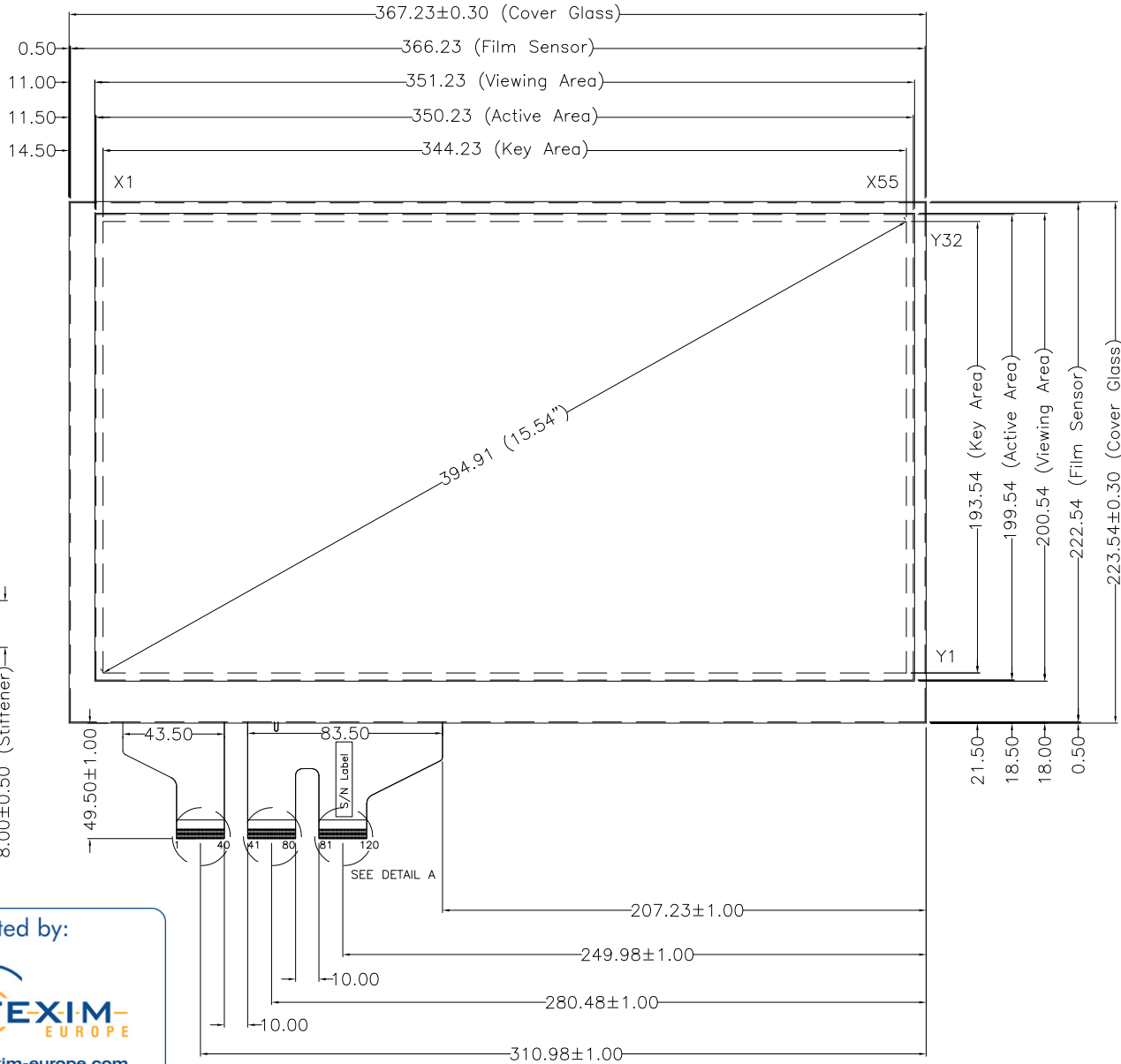
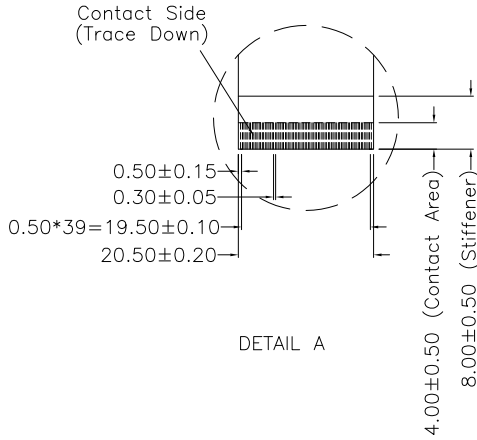


Touch Side View

CONNECTOR PINOUT	
PIN#	DESIGNATION
1-16	Blank
17-48	Y32-Y1
49	Blank
50-51	Grounding Line
52	Blank
53-107	X1-X55
108-119	Blank
120	Grounding Line



NOTES:

1. INPUT MODE : PROJECTED CAPACITIVE
2. OVERALL THICKNESS : 2.20±0.20mm
3. COVER GLASS THICKNESS : 1.80mm
4. FRONT SURFACE : CLEAR TYPE
5. TAIL TYPE : GOLD PLATED FPC , ZIF
6. RECOMMENDED CONTROL BOARDS : PENMOUNT PM1500 SERIES
7. OTHER SPEC : SEE APPROVAL SHEET
8. PLEASE REFER TO AMT TOUCH SCREEN INTEGRATION GUIDES FOR SYSTEM MECHANICAL DESIGN AND ASSEMBLY METHODS



NO.	DATE	DESCRIPTION	CHK	TOLERANCES UNLESS SPECIFIED		DWG NO. :P3016-A2-0-01
		REVISION		.X	± 0.50	SCALE: N/S UNIT: mm SHEET 1 OF 1
		CHEF OF DESIGN	APPROVED	.XX	± 0.50	
		DRAWN BY	DATE	.XXX	± 0.30	

APPROVED: Jerry  
 DATE: AUG 5, 2013  
 ANGULAR

Apex Material Technology Corp.

# TEXIM EUROPE

Partner in Electronic Components & Supply Chain Solutions



## The Netherlands

Elektrostraat 17  
NL-7483 PG Haaksbergen  
Tel: +31 (0)53 573 33 33  
Fax: +31 (0)53 573 33 30  
nl@texim-europe.com



## Belgium

Gentsesteenweg 1154-C22  
Chaussée de Gand 1154-C22  
B-1082 Brussel / Bruxelles  
Tel: +32 (0)2 462 01 00  
Fax: +32 (0)2 462 01 25  
belgium@texim-europe.com



## Denmark

Sdr. Jagtvej 12  
DK-2970 Hørsholm  
Tel: +45 88 20 26 30  
Fax: +45 88 20 26 39  
nordic@texim-europe.com



## Germany

Bahnhofstrasse 92  
D-25451 Quickborn  
Tel: +49 (0)4106 627 07-0  
Fax: +49 (0)4106 627 07-20  
germany@texim-europe.com



## Germany

Martin-Kollar-Strasse 9  
D-81829 München  
Tel: +49 (0)89 436 086-0  
Fax: +49 (0)89 436 086-19  
germany@texim-europe.com



## Austria

Warwitzstrasse 9  
A-5020 Salzburg  
Tel: +43 (0)662 216026  
Fax: +43 (0)662 216026-66  
austria@texim-europe.com



## United Kingdom

St. Mary's House, Church Lane  
Carlton Le Moorland  
Lincoln LN5 9HS  
Tel: +44 (0)1522 789 555  
Fax: +44 (0)845 299 22 26  
uk@texim-europe.com

For more information: [www.texim-europe.com](http://www.texim-europe.com)

