

<b>File Name</b>	<b>Specification For TINK 2.9 ' EPD</b>	<b>Module Number</b>	<b>TINK-EPD29A01</b>
<b>Version</b>	A/0	<b>Page Number</b>	1 of 33



## Specification for TINK 2.9"EPD

**Model NO.:TINK-EPD29A01**

### Customer approval

<b>Customer</b>	
<b>Approval by</b>	
<b>Date of approval</b>	

<b>Prepared by</b>	<b>Checked by</b>	<b>Approval by</b>
Zhaichongzhi	Jia pengfei	Ma zewu



# THINGWELL ELECTRONICS

<b>File Name</b>	<b>Specification For TINK 2.9 ' EPD</b>	<b>Module Number</b>	<b>TINK-EPD29A01</b>
<b>Version</b>	A/0	<b>Page Number</b>	2 of 33

<b>Version</b>	<b>Content</b>	<b>Date</b>	<b>Producer</b>
A/0	New release	2015/01/10	
A/1	Update packing information	2015/05/18	

Texim Europe

File Name	Specification For TINK 2.9' EPD	Module Number	TINK-EPD29A01
Version	A/0	Page Number	3 of 33

## CONTENTS

1	General Description .....	5
2	Features .....	5
3	Application .....	5
4	Mechanical Specification.....	5
5	Mechanical Drawing of EPD module.....	6
6	Input/Output Terminals .....	7
6.1	Pin out List .....	7
6.2	MCU Interface.....	9
6.2.1	MCU Serial Peripheral Interface (4-wire SPI).....	9
6.2.2	MCU Serial Peripheral Interface (3-wire SPI).....	10
6.3	External Temperature Sensor Interface.....	11
7	Command Table.....	12
8	Maximum Ratings .....	17
9	Electrical Characteristics.....	18
10	Serial Peripheral Interface Timing.....	19
11	Power Consumption.....	20
12	Reference Circuit.....	20
13	Typical Operating Sequence.....	23
13.1	Normal Operation Flow.....	23
13.2	Reference Program Code.....	24
14	Optical characteristics.....	25
14.1	Specifications.....	25
14.2	Definition of contrast ratio.....	26
14.3	Reflection Ratio.....	27
14.4	Bi-stability.....	27
15	Handling ,Safety and environmental requirements.....	28
16	Reliability test.....	29
17	Block Diagram.....	30
18	Point and line standard.....	31
19	Packing .....	33

<b>File Name</b>	<b>Specification For TINK 2.9' EPD</b>	<b>Module Number</b>	<b>TINK-EPD29A01</b>
<b>Version</b>	A/0	<b>Page Number</b>	4 of 33

## 1 General Description

TINK-EPD29A01 is an Active Matrix Electrophoretic Display(AMEPD) , with interface and a reference system design. The 2.9' active area contains 296×128 pixels, and has 1-bit full display capabilities. An integrated circuit contains gate buffer, source buffer, interface, timing control logic, oscillator, DC-DC. SRAM.

LUT ,VCOM,and border are supplied with each panel.

## 2 Features

296×128 pixels display

White reflectance above 43%

Contrast ratio above 10: 1

Ultra wide viewing angle

Ultra low power consumption

Pure reflective mode

Bi-stable display Commercial temperature range

Landscape, portrait modes

Hard-coat antiglare display surface

Ultra Low current deep sleep mode

On chip display RAM

Waveform stored in On-chip OTP

Serial peripheral interface available

On-chip oscillator

On-chip booster and regulator control for generating VCOM, Gate and Source driving voltage

I2C signal master interface to read external temperature sensor

## 3 Application

Electronic Shelf Label System



<b>File Name</b>	<b>Specification For TINK 2.9' EPD</b>	<b>Module Number</b>	<b>TINK-EPD29A01</b>
<b>Version</b>	A/0	<b>Page Number</b>	5 of 33

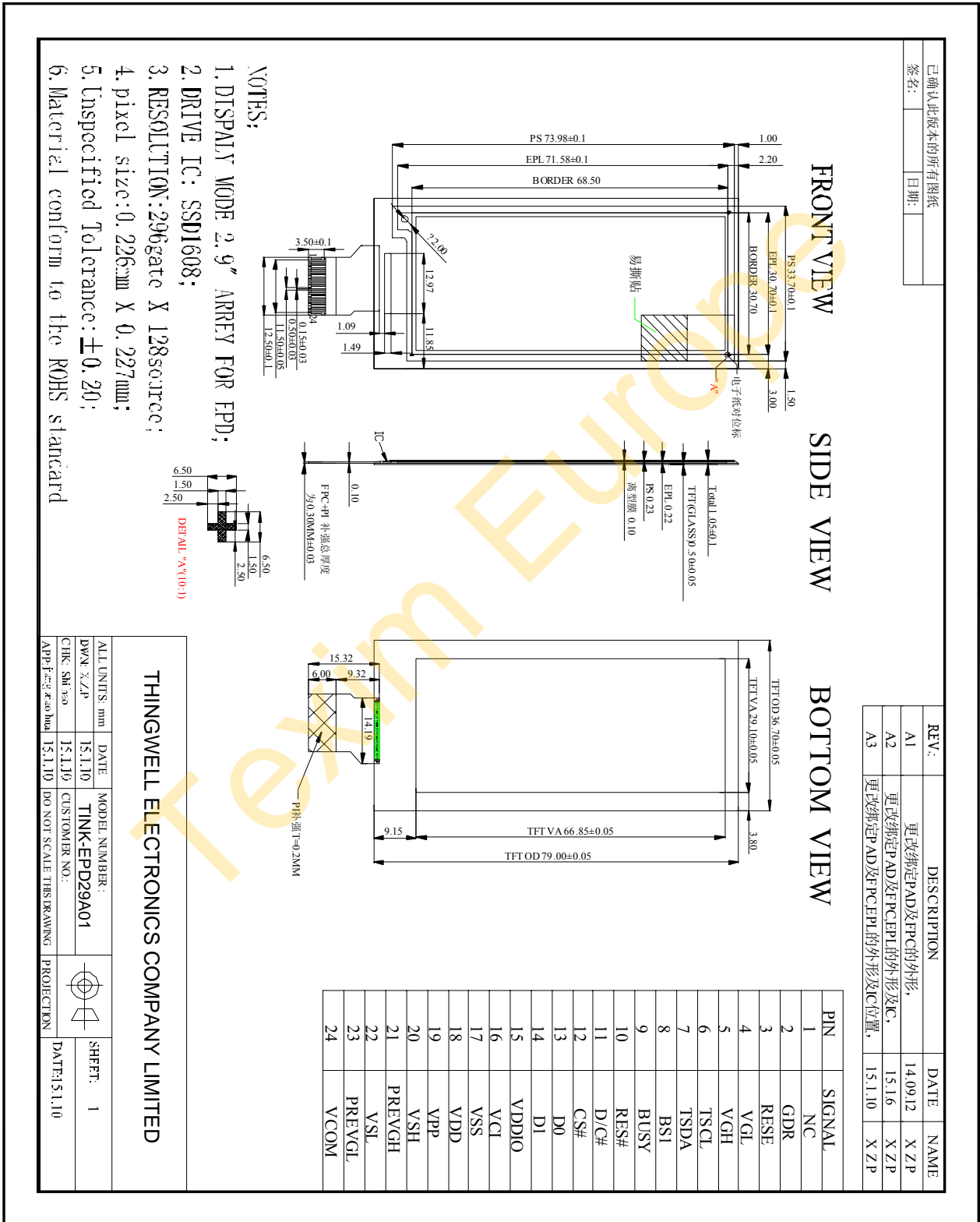
## 4 Mechanical Specifications

<b>Parameter</b>	<b>Specifications</b>	<b>Unit</b>	<b>Remark</b>
Screen Size	2.9	Inch	
Display Resolution	128(H)×296(V)	Pixel	dpi:112
Active Area	29.05×66.89	mm	
Pixel Pitch	0.226×0.227	mm	
Pixel Configuration	Rectangle		
Outline Dimension	36.7(H)×79.0 (V) ×1.05(D)	mm	
Weight	4±0.5	g	

Texim Europe

File Name	Specification For TINK 2.9" EPD	Module Number	TINK-EPD29A01
Version	A/0	Page Number	6 of 33

## 5 Mechanical Drawing of EPD module



<b>File Name</b>	<b>Specification For TINK 2.9' EPD</b>	<b>Module Number</b>	<b>TINK-EPD29A01</b>
<b>Version</b>	A/0	<b>Page Number</b>	7 of 33

## 6 Input/Output Terminals

### 6.1 Pin out List

Pin #	Type	Single	Description	Remark
1		NC	No connection and do not connect with other NC pins	Keep Open
2	O	GDR	N-Channel MOSFET Gate Drive Control	
3	O	RESE	Current Sense Input for the Control Loop	
4	C	VGL	Negative Gate driving voltage	
5	C	VGH	Positive Gate driving voltage	
6	O	TSCL	I2C Interface to digital temperature sensor Clock pin	
7	I/O	TSDA	I2C Interface to digital temperature sensor Date pin	
8	I	BS1	Bus selection pin	Note 6-5
9	O	BUSY	Busy state output pin	Note 6-4
10	I	RES #	Reset	Note 6-3
11	I	D/C #	Data /Command control pin	Note 6-2
12	I	CS #	Chip Select input pin	Note 6-1
13	I/O	D0	serial clock pin (SPI)	
14	I/O	D1	serial data pin (SPI)	
15	I	VDDIO	Power for interface logic pins	
16	I	VCI	Power Supply pin for the chip	
17		VSS	Ground	
18	C	VDD	Core logic power pin	
19	C	VPP	Power Supply for OTP Programming	
20	C	VSH	Positive Source driving voltage	
21	C	PREVGH	Power Supply pin for VGH and VSH	
22	C	VSL	Negative Source driving voltage	
23	C	PREVGL	Power Supply pin for VCOM, VGL and VSL	
24	C	VCOM	VCOM driving voltage	

<b>File Name</b>	<b>Specification For TINK 2.9' EPD</b>	<b>Module Number</b>	<b>TINK-EPD29A01</b>
<b>Version</b>	A/0	<b>Page Number</b>	8 of 33

Note 6-1: This pin (CS#) is the chip select input connecting to the MCU. The chip is enabled for MCU communication: only when CS# is pulled LOW.

Note 6-2: This pin (D/C#) is Data/Command control pin connecting to the MCU. When the pin is pulled HIGH, the data will be interpreted as data. When the pin is pulled LOW, the data will be interpreted as command.

Note 6-3: This pin (RES#) is reset signal input. The Reset is active low.

Note 6-4: This pin (BUSY) is Busy state output pin. When Busy is Low the operation of chip should not be interrupted and any commands should not be issued to the module. The driver IC will put Busy pin Low when the driver IC is working such as:

- Outputting display waveform; or
- Communicating with digital temperature sensor

Note 6-5: This pin (BS1) is for 3-line SPI or 4-line SPI selection. When it is “Low”, 4-line SPI is selected.

When it is “High”, 3-line SPI (9 bits SPI) is selected. Please refer to below Table.

**Table: Bus interface selection**

<b>BS1</b>	<b>MPU Interface</b>
L	4-lines serial peripheral interface (SPI)
H	3-lines serial peripheral interface (SPI) - 9 bits SPI



<b>File Name</b>	<b>Specification For TINK 2.9' EPD</b>	<b>Module Number</b>	<b>TINK-EPD29A01</b>
<b>Version</b>	<b>A/0</b>	<b>Page Number</b>	<b>8 of 33</b>

## 6.2 MCU Interface

### 6.2.1 MCU Serial Peripheral Interface (4-wire SPI)

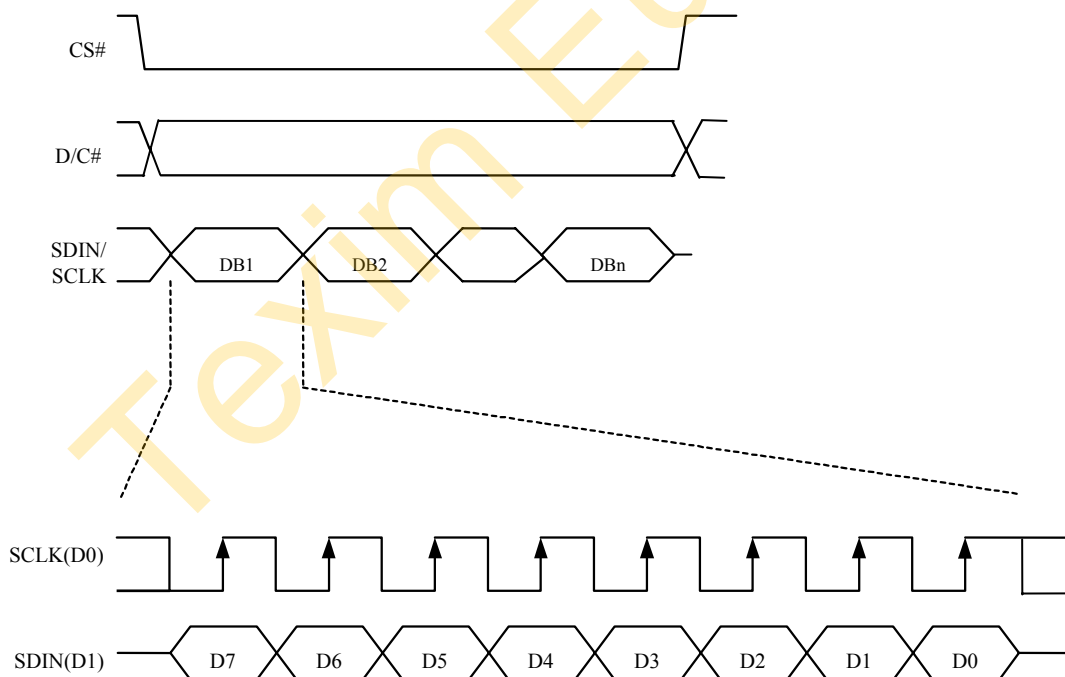
The 4-wire SPI consists of SCLK (serial clock), SDIN (serial data), D/C# and CS#. D0 acts as SCLK and D1 acts as SDIN.

**Table -1 : Control pins of 4-wire Serial Peripheral interface**

Function	CS# pin	D/C# pin	SCLK pin
Write command	L	L	↑
Write data	L	H	↑

**Note:** ↑ stands for rising edge of signal

SDIN is shifted into an 8-bit shift register in the order of D7, D6, ... D0. The data byte in the shift register is written to the Graphic Display Data RAM (RAM) or command register in the same clock. Under serial mode, only write operations are allowed.



**Figure 6-1 : Write procedure in 4-wire Serial Peripheral Interface mode**

File Name	Specification For TINK 2.9' EPD	Module Number	TINK-EPD29A01
Version	A/0	Page Number	10 of 33

## 6.2.2 MCU Serial Peripheral Interface (3-wire SPI)

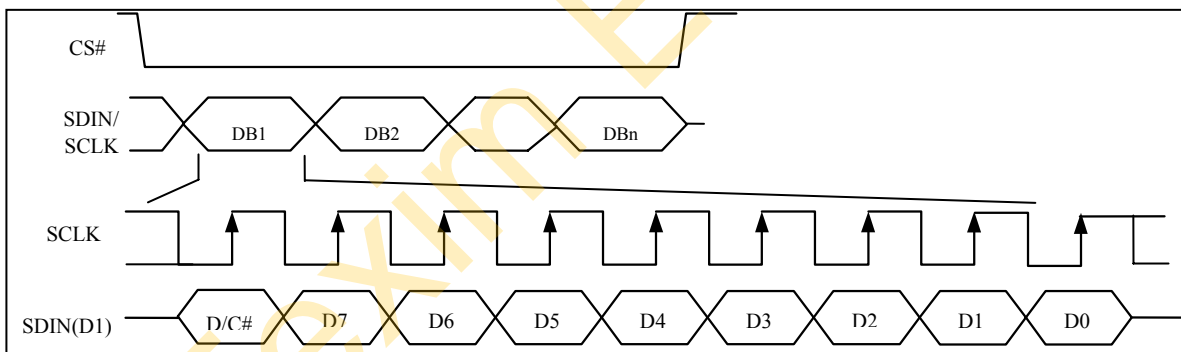
The 3-wire serial interface consists of SCLK (serial clock), SDIN (serial data) and CS#. In SPI mode, D0 acts as SCLK and D1 acts as SDIN. The operation is similar to 4-wire serial interface while D/C# pin is not used. There are altogether 9-bits will be shifted into the shift register in sequence: D/C# bit, D7 to D0 bit. The D/C# bit (first bit of the sequential data) will determine the following data byte in the shift register is written to the Display Data RAM (D/C# bit = 1) or the command register (D/C# bit = 0). Under serial mode, only write operations are allowed.

**Table -2 : Control pins of 3-wire Serial Peripheral interface**

Function	CS# pin	D/C# pin	SCLK pin
Write command	L	Tie LOW	↑
Write data	L	Tie LOW	↑

**Note:** ↑ stands for rising edge of signal

**Figure 6-1 : Write procedure in 3-wire Serial Peripheral Interface mode**



<b>File Name</b>	<b>Specification For TINK 2.9' EPD</b>	<b>Module Number</b>	<b>TINK-EPD29A01</b>
<b>Version</b>	A/0	<b>Page Number</b>	11 of 33

### 6.3 External Temperature Sensor Interface

The module provides two I/O lines [TSDA and TSCL] for connecting digital temperature sensor for temperature reading sensing. TSDA will treat as SDA line and TSCL will treat as SCL line. They are required connecting with external pull-up resistor when they are used to connect to the temperature sensor.

The following shows how to convert into temperature value:

- 1) When the Temperature value MSByte bit D11 = 0, the temperature is positive and value (DegC) = + (Temperature value)/16
- 2) When the Temperature value MSByte bit D11 = 1, the temperature is negative and value (DegC) = ~ (2's complement of Temperature value)/16

12-bit binary (2's complement)	Hexadecimal Value	Decimal Value	Value [DegC]
0111 1111 0000	7F0	2032	127
0111 1110 1110	7EE	2030	126.875
0111 1110 0010	7E2	2018	126.125
0111 1101 0000	7D0	2000	125
0001 1001 0000	190	400	25
0000 0000 0010	002	2	0.125
0000 0000 0000	000	0	0
1111 1111 1110	FFE	-2	-0.125
1110 0111 0000	E70	-400	-25
1100 1001 0010	C92	-878	-54.875
1100 1001 0000	C90	-880	-55



<b>File Name</b>	<b>Specification For TINK 2.9' EPD</b>	<b>Module Number</b>	<b>TINK-EPD29A01</b>
<b>Version</b>	A/0	<b>Page Number</b>	12 of 33

## 7 Command Table

R/W#	D/C#	Hex	D7	D6	D5	D4	D3	D2	D1	D0	Command	Description	
0	0	01	0	0	0	0	0	0	0	1	Driver Output control	Gate setting	
0	1		A7	A6	A5	A4	A3	A2	A1	A0		Set A[8:0] = 127h	
0	1		0	0	0	0	0	0	0	A8		Set B[2:0] = 0h	
0	1		0	0	0	0	0	B2	B1	B0			
0	0	0C	0	0	0	0	1	1	0	0	Booster Soft start Control	Set A[7:0] = CFh	
0	1		1	A <sub>6</sub>	A <sub>5</sub>	A <sub>4</sub>	A <sub>3</sub>	A <sub>2</sub>	A <sub>1</sub>	A <sub>0</sub>		Set B[7:0] = CEh	
0	1		1	B <sub>6</sub>	B <sub>5</sub>	B <sub>4</sub>	B <sub>3</sub>	B <sub>2</sub>	B <sub>1</sub>	B <sub>0</sub>		Set C[7:0] = 8Dh	
0	1		1	C <sub>6</sub>	C <sub>5</sub>	C <sub>4</sub>	C <sub>3</sub>	C <sub>2</sub>	C <sub>1</sub>	C <sub>0</sub>			
0	0	10	0	0	0	1	0	0	0	0	Deep Sleep mode	Deep Sleep mode Control	
0	1		0	0	0	0	0	0	0	A <sub>0</sub>		A[0] :	Description
												0	Normal Mode [POR]
												1	Enter Deep Sleep Mode
0	0	11	0	0	0	1	0	0	0	1	Data Entry mode setting	Define data entry sequence	
0	1		0	0	0	0	0	A <sub>2</sub>	A <sub>1</sub>	A <sub>0</sub>		<p>A [1:0] = ID[1:0] Address automatic increment / decrement setting</p> <p>The setting of incrementing or decrementing of the address counter can be made independently in each upper and lower bit of the address.</p> <p>00 –Y decrement, X decrement, 01 –Y decrement, X increment, 10 –Y increment, X decrement, 11 –Y increment, X increment [POR]</p> <p>A[2] = AM Set the direction in which the address counter is updated automatically after data are written to the RAM.</p> <p>AM= 0, the address counter is updated in the X direction. [POR] AM = 1, the address counter is updated in the Y direction.</p>	
0	0	12	0	0	0	1	0	0	1	0	SWRESET	It resets the commands and parameters to their S/W Reset default values except R10h-Deep Sleep Mode Note: RAM are unaffected by this command.	



# THINGWELL ELECTRONICS

<b>File Name</b>	<b>Specification For TINK 2.9' EPD</b>	<b>Module Number</b>	<b>TINK-EPD29A01</b>
<b>Version</b>	A/0	<b>Page Number</b>	13 of 33

R/W#	D/C#	Hex	D7	D6	D5	D4	D3	D2	D1	D0	Command	Description
0	0	1A	0	0	0	1	1	0	1	0	Temperature Sensor Control (Write to temperature register)	Write to temperature register. A[7:0] – MSByte 01111111[POR] B[7:0] – LSByte 11110000[POR]
0	1		A <sub>7</sub>	A <sub>6</sub>	A <sub>5</sub>	A <sub>4</sub>	A <sub>3</sub>	A <sub>2</sub>	A <sub>1</sub>	A <sub>0</sub>		
0	0	20	0	0	1	0	0	0	0	0	Master Activation	Activate Display Update Sequence  The Display Update Sequence Option is located at R22h  User should <b>not</b> interrupt this operation to avoid corruption of panel images.
0	0	21	0	0	1	0	0	0	0	1	Display Update Control 1	Option for Display Update Bypass Option used for Pattern Display, which is used for display the RAM content into the Display  OLD RAM Bypass option A [7] A[7] = 1: Enable bypass A[7] = 0: Disable bypass [POR]  A[4] value will be used as for bypass. A[4] = 0 [POR]  A[1:0] Initial Update Option - Source Control
0	1		A <sub>7</sub>	0	0	A <sub>4</sub>	A <sub>3</sub>	A <sub>2</sub>	A <sub>1</sub>	A <sub>0</sub>		

A[1:0]	GSC	GSD
01 [POR]	GS0	GS1



# THINGWELL ELECTRONICS

<b>File Name</b>	<b>Specification For TINK 2.9' EPD</b>	<b>Module Number</b>	<b>TINK-EPD29A01</b>
<b>Version</b>	A/0	<b>Page Number</b>	14 of 33

R/W#	D/C#	Hex	D7	D6	D5	D4	D3	D2	D1	D0	Command	Description		
0	0	22	0	0	1	0	0	0	1	0	Display Update Control 2	Display Update Sequence Option: Enable the stage for Master Activation		
0	1		A <sub>7</sub>	A <sub>6</sub>	A <sub>5</sub>	A <sub>4</sub>	A <sub>3</sub>	A <sub>2</sub>	A <sub>1</sub>	A <sub>0</sub>			Parameter (in Hex)	
													Enable Clock Signal, Then Enable CP Then Load Temperature value Then Load LUT Then INITIAL DISPLAY Then PATTERN DISPLAY Then Disable CP Then Disable OSC	FF [POR]
													To Enable Clock Signal (CLKEN=1)	80
													To Enable Clock Signal, then Enable CP (CLKEN=1, CPEN=1)	C0
													To INITIAL DISPLAY + PATTEN DISPLAY	0C
													To INITIAL DISPLAY	08
													To DISPLAY PATTEN	04
													To Disable CP, then Disable Clock Signal (CLKEN=1, CPEN=1)	03
													To Disable Clock Signal (CLKEN=1)	01
												Remark: CLKEN=1: If CLS=VDDIO then Enable OSC If CLS=VSS then Enable External Clock CLKEN=0: If CLS=VDDIO then Disable OSC AND INTERNAL CLOCK Signal = VSS,		
0	0	24	0	0	1	0	0	1	0	0	Write RAM	After this command, data entries will be written into the RAM until another command is written. Address pointers will advance accordingly.		
0	0	2C	0	0	1	0	1	0	1	1	Write VCOM register	Write VCOM register from MCU interface		
0	1		A <sub>7</sub>	A <sub>6</sub>	A <sub>5</sub>	A <sub>4</sub>	A <sub>3</sub>	A <sub>2</sub>	A <sub>1</sub>	A <sub>0</sub>				



# THINGWELL ELECTRONICS

<b>File Name</b>	<b>Specification For TINK 2.9' EPD</b>	<b>Module Number</b>	<b>TINK-EPD29A01</b>
<b>Version</b>	A/0	<b>Page Number</b>	15 of 33

R/W#	D/C#	Hex	D7	D6	D5	D4	D3	D2	D1	D0	Command	Description																
0	0	32	0	0	1	1	0	0	1	0	Write LUT register	Write LUT register from MCU [240 bits], (excluding the VSH/VSL and Dummy bit)																
0	1		LUT [30 bytes]																									
0	1																											
0	1																											
...	...																											
0	1																											
0	0	3A	0	0	1	1	1	0	1	0	Set dummy line period	Set A[7:0] = 1Ah																
0	1		0	A <sub>6</sub>	A <sub>5</sub>	A <sub>4</sub>	A <sub>3</sub>	A <sub>2</sub>	A <sub>1</sub>	A <sub>0</sub>																		
0	0	3B	0	0	1	1	1	0	1	1	Set Gate line width	Set B[3:0] = 8h																
0	1		0	0	0	0	A <sub>3</sub>	A <sub>2</sub>	A <sub>1</sub>	A <sub>0</sub>																		
0	0	3C	0	0	1	1	1	1	0	0	Border Waveform Control	Select border waveform for VBD A [7] Follow Source at Initial Update Display A [7]=0: [POR] A [7]=1: Follow Source at Initial Update Display for VBD, A [6:0] setting are being overridden at Initial Display STAGE.  A [6] Select GS Transition/ Fix Level for VBD A [6]=0: Select GS Transition A[3:0] for VBD A [6]=1: Select FIX level Setting A[5:4] for VBD [POR] A [5:4] Fix Level Setting for VBD																
0	1		A <sub>7</sub>	A <sub>6</sub>	A <sub>5</sub>	A <sub>4</sub>	0	0	A <sub>1</sub>	A <sub>0</sub>				<table border="1" style="margin-left: 20px;"> <tr> <td>A[5:4]</td> <td>VBD level</td> </tr> <tr> <td>00</td> <td>VSS</td> </tr> <tr> <td>01</td> <td>VSH</td> </tr> <tr> <td>10</td> <td>VSL</td> </tr> <tr> <td>11[POR]</td> <td>HiZ</td> </tr> </table> A [1:0] GS transition setting for VBD (Select waveform like data A[3:2] to data A[1:0]) <table border="1" style="margin-left: 20px;"> <tr> <td>A[1:0]</td> <td>GSA</td> <td>GSB</td> </tr> <tr> <td>01 [POR]</td> <td>GS0</td> <td>GS1</td> </tr> </table>	A[5:4]	VBD level	00	VSS	01	VSH	10	VSL	11[POR]	HiZ	A[1:0]	GSA	GSB	01 [POR]
A[5:4]	VBD level																											
00	VSS																											
01	VSH																											
10	VSL																											
11[POR]	HiZ																											
A[1:0]	GSA	GSB																										
01 [POR]	GS0	GS1																										



<b>File Name</b>	<b>Specification For TINK 2.9' EPD</b>	<b>Module Number</b>	<b>TINK-EPD29A01</b>
<b>Version</b>	A/0	<b>Page Number</b>	16 of 33

R/W#	D/C#	Hex	D7	D6	D5	D4	D3	D2	D1	D0	Command	Description
0	0	44	0	1	0	0	0	1	0	0	Set RAM X - address Start / End position	Specify the start/end positions of the window address in the X direction by an address unit  A[4:0]: XSA[4:0], XStart, POR = 00h B[4:0]: XEA[4:0], XEnd, POR = 1Dh
0	1		0	0	0	A <sub>4</sub>	A <sub>3</sub>	A <sub>2</sub>	A <sub>1</sub>	A <sub>0</sub>		
0	1		0	0	0	B <sub>4</sub>	B <sub>3</sub>	B <sub>2</sub>	B <sub>1</sub>	B <sub>0</sub>		
0	0	45	0	1	0	0	0	1	0	1	Set Ram Y- address Start / End position	Specify the start/end positions of the window address in the Y direction by an address unit  A[8:0]: YSA[8:0], YStart, POR = 000h B[8:0]: YEA[8:0], YEnd, POR = 13Fh
0	1		A <sub>7</sub>	A <sub>6</sub>	A <sub>5</sub>	A <sub>4</sub>	A <sub>3</sub>	A <sub>2</sub>	A <sub>1</sub>	A <sub>0</sub>		
0	1		0	0	0	0	0	0	0	A <sub>8</sub>		
0	1		B <sub>7</sub>	B <sub>6</sub>	B <sub>5</sub>	B <sub>4</sub>	B <sub>3</sub>	B <sub>2</sub>	B <sub>1</sub>	B <sub>0</sub>		
0	1		0	0	0	0	0	0	0	B <sub>8</sub>		
0	0	4E	0	1	0	0	1	1	1	0	Set RAM X address counter	Make initial settings for the RAM X address in the address counter (AC) A[4:0]: XAD[4:0], POR is 00h
0	1		0	0	0	A <sub>4</sub>	A <sub>3</sub>	A <sub>2</sub>	A <sub>1</sub>	A <sub>0</sub>		
0	0	4F	0	1	0	0	1	1	1	1	Set RAM Y address counter	Make initial settings for the RAM Y address in the address counter (AC) A[8:0]: YAD8:0], POR is 000h
0	1		A <sub>7</sub>	A <sub>6</sub>	A <sub>5</sub>	A <sub>4</sub>	A <sub>3</sub>	A <sub>2</sub>	A <sub>1</sub>	A <sub>0</sub>		
0	1		0	0	0	0	0	0	0	A <sub>8</sub>		
0	1	FF	1	1	1	1	1	1	1	1	NOP	This command is an empty command; it does not have any effect on the display module. However it can be used to terminate Frame Memory Write or Read Commands.



File Name	Specification For TINK 2.9' EPD	Module Number	TINK-EPD29A01
Version	A/0	Page Number	17 of 33

## 8 Maximum Ratings

**Table 8-1: Maximum Ratings**

Symbol	Parameter	Rating	Unit
V <sub>CI</sub>	Logic supply voltage	-0.5 to +4.0	V
V <sub>IN</sub>	Logic Input voltage	-0.5 to V <sub>DDIO</sub> +0.5	V
V <sub>OUT</sub>	Logic Output voltage	-0.5 to V <sub>DDIO</sub> +0.5	V
T <sub>OPR</sub>	Operation temperature range	0 to 60	°C
T <sub>STG</sub>	Storage temperature range	-25 to 85	°C

Maximum ratings are those values beyond which damages to the device may occur. Functional operation should be restricted to the limits in the Electrical Characteristics tables or Pin Description section

This device contains circuitry to protect the inputs against damage due to high static voltages or electric fields; however, it is advised that normal precautions be taken to avoid application of any voltage higher than maximum rated voltages to this high impedance circuit. This device may be light sensitive. Caution should be taken to avoid exposure of this device to any light source during normal operation. This device is not radiation protected.



File Name	Specification For TINK 2.9' EPD	Module Number	TINK-EPD29A01
Version	A/0	Page Number	18 of 33

## 9 Electrical Characteristics

The following specifications apply for: VSS=0V, VCI=3.0V, T<sub>OPR</sub>=25°C.

**Table 9-1: DC Characteristics**

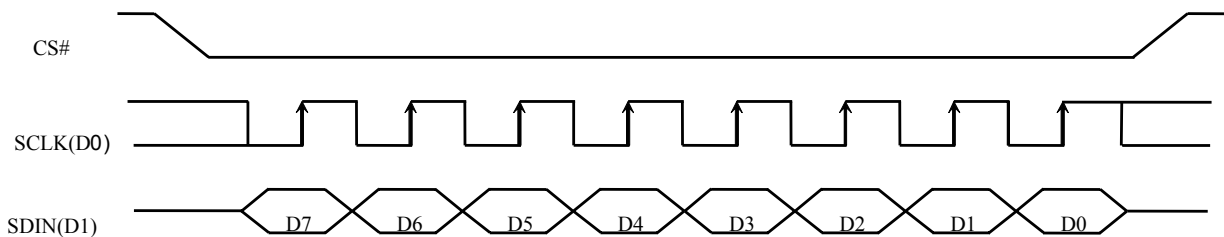
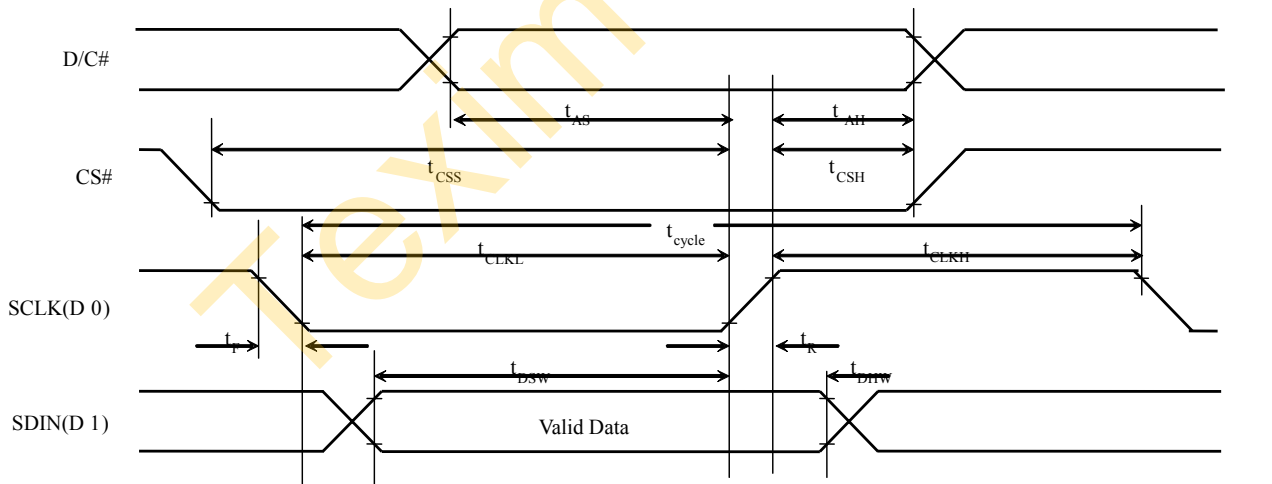
Symbol	Parameter	Test Condition	Applicable pin	Min.	Typ.	Max.	Unit
V <sub>CI</sub>	VCI operation voltage		VCI	2.4	3.0	3.7	V
V <sub>IH</sub>	High level input voltage		D1 (SDIN), D0 (SCLK), CS#, D/C#, RES#, BS1, TSDA, TSCL	0.8V <sub>DDIO</sub>			V
V <sub>IL</sub>	Low level input voltage			0.2V <sub>DDIO</sub>			V
V <sub>OH</sub>	High level output voltage	I <sub>OH</sub> = -100uA	BUSY, TSDA,	0.9V <sub>DDIO</sub>			V
V <sub>OL</sub>	Low level output voltage	I <sub>OL</sub> = 100uA	TSCL			0.1V <sub>DDIO</sub>	V

File Name	Specification For TINK 2.9' EPD	Module Number	TINK-EPD29A01
Version	A/0	Page Number	19 of 33

## 10 Serial Peripheral Interface Timing

The following specifications apply for: VSS=0V, VCI=2.4V to 3.7V, T<sub>OPR</sub>=25°C

Symbol	Parameter	Min	Typ	Max	Unit
t <sub>cycle</sub>	Clock Cycle Time	250	-	-	ns
t <sub>AS</sub>	Address Setup Time	150	-	-	ns
t <sub>AH</sub>	Address Hold Time	150	-	-	ns
t <sub>CSS</sub>	Chip Select Setup Time	120	-	-	ns
t <sub>CSH</sub>	Chip Select Hold Time	60	-	-	ns
t <sub>DSW</sub>	Write Data Setup Time	50	-	-	ns
t <sub>DHW</sub>	Write Data Hold Time	15	-	-	ns
t <sub>CLKL</sub>	Clock Low Time	100	-	-	ns
t <sub>CLKH</sub>	Clock High Time	100	-	-	ns
t <sub>R</sub>	Rise Time [20% ~ 80%]	-	-	15	ns
t <sub>F</sub>	Fall Time [20% ~ 80%]	-	-	15	ns



File Name	Specification For TINK 2.9' EPD	Module Number	TINK-EPD29A01
Version	A/0	Page Number	20 of 33

## 11 Power Consumption

Parameter	Symbol	Conditions	TYP	Max	Unit	Remark
Panel power consumption during update	-	-	26.4	40	mW	-
Power consumption in standby mode	-	-	-	0.017	mW	-

## 12 Reference Circuit

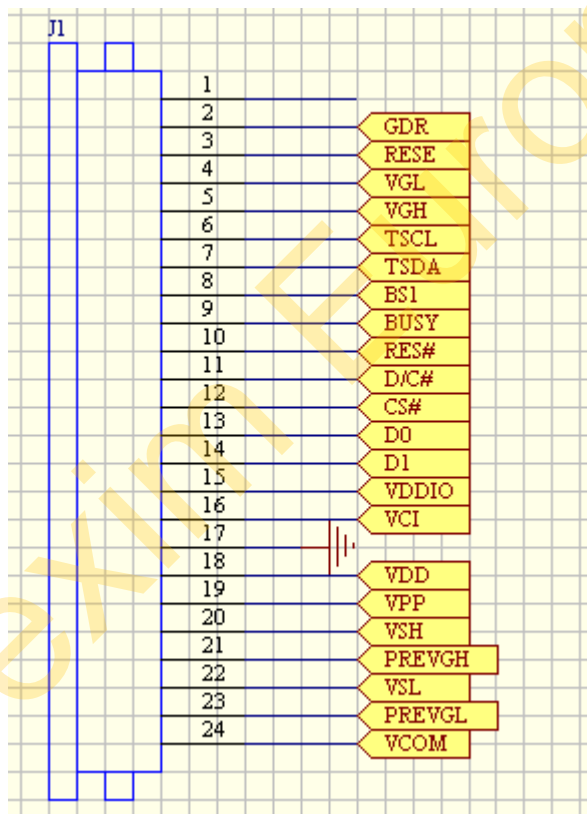


Figure . 12-1

File Name	Specification For TINK 2.9' EPD	Module Number	TINK-EPD29A01
Version	A/0	Page Number	21 of 33

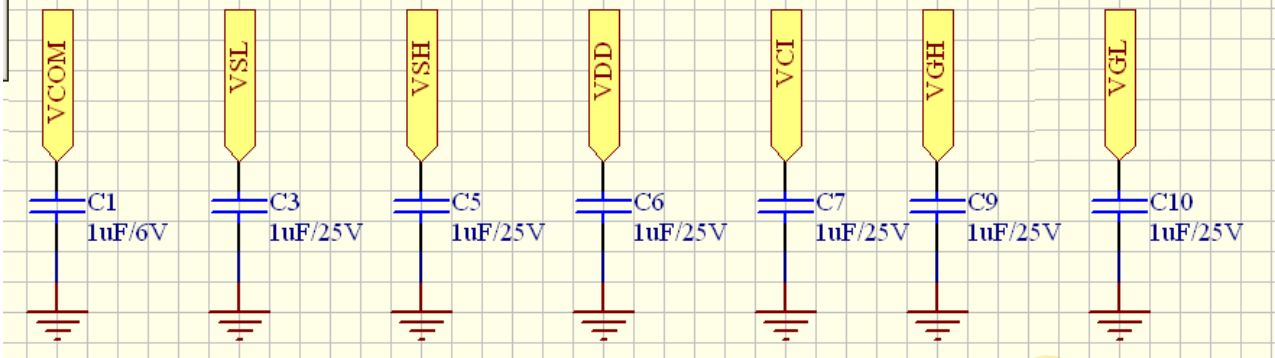


Figure . 12-2

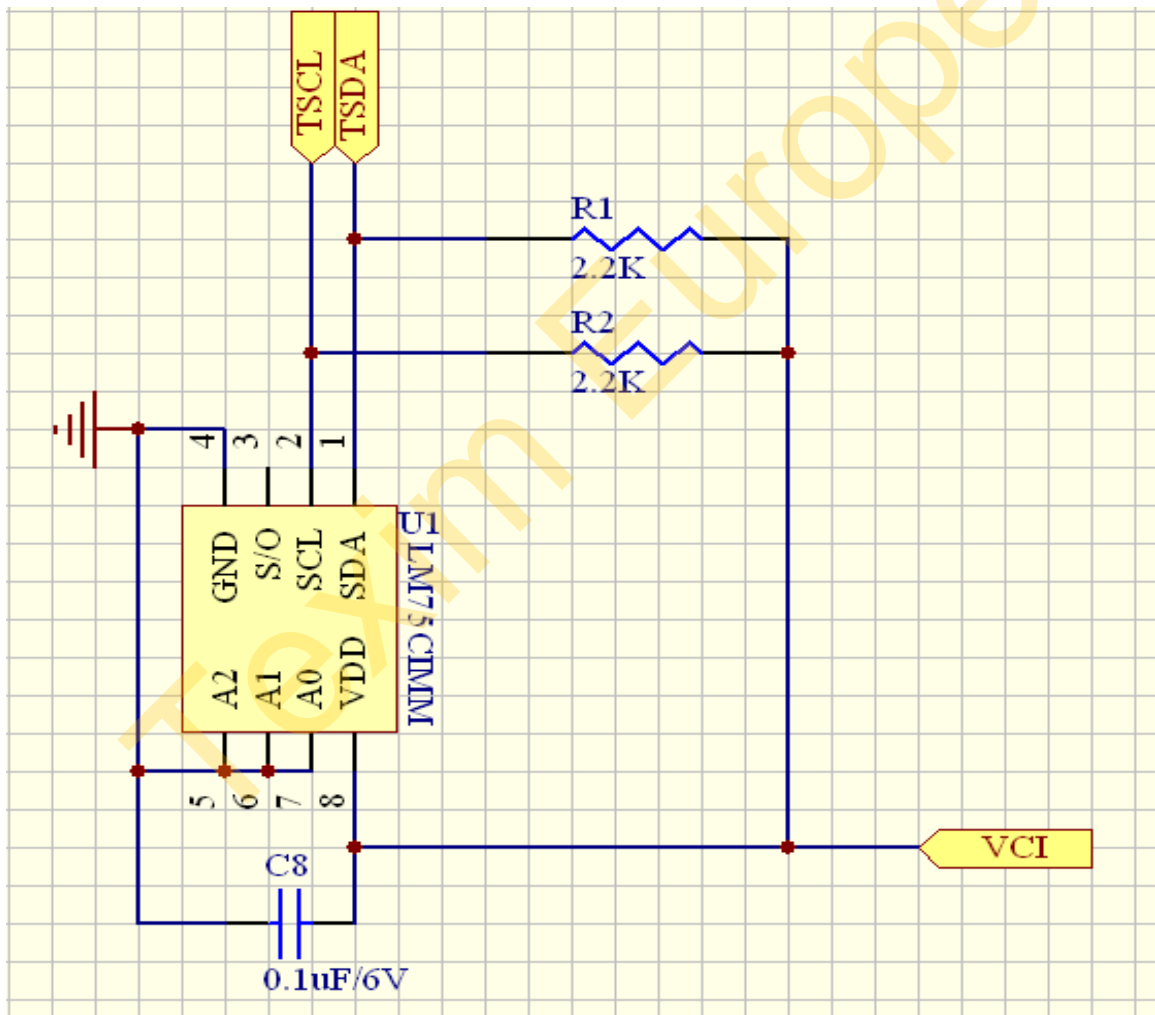
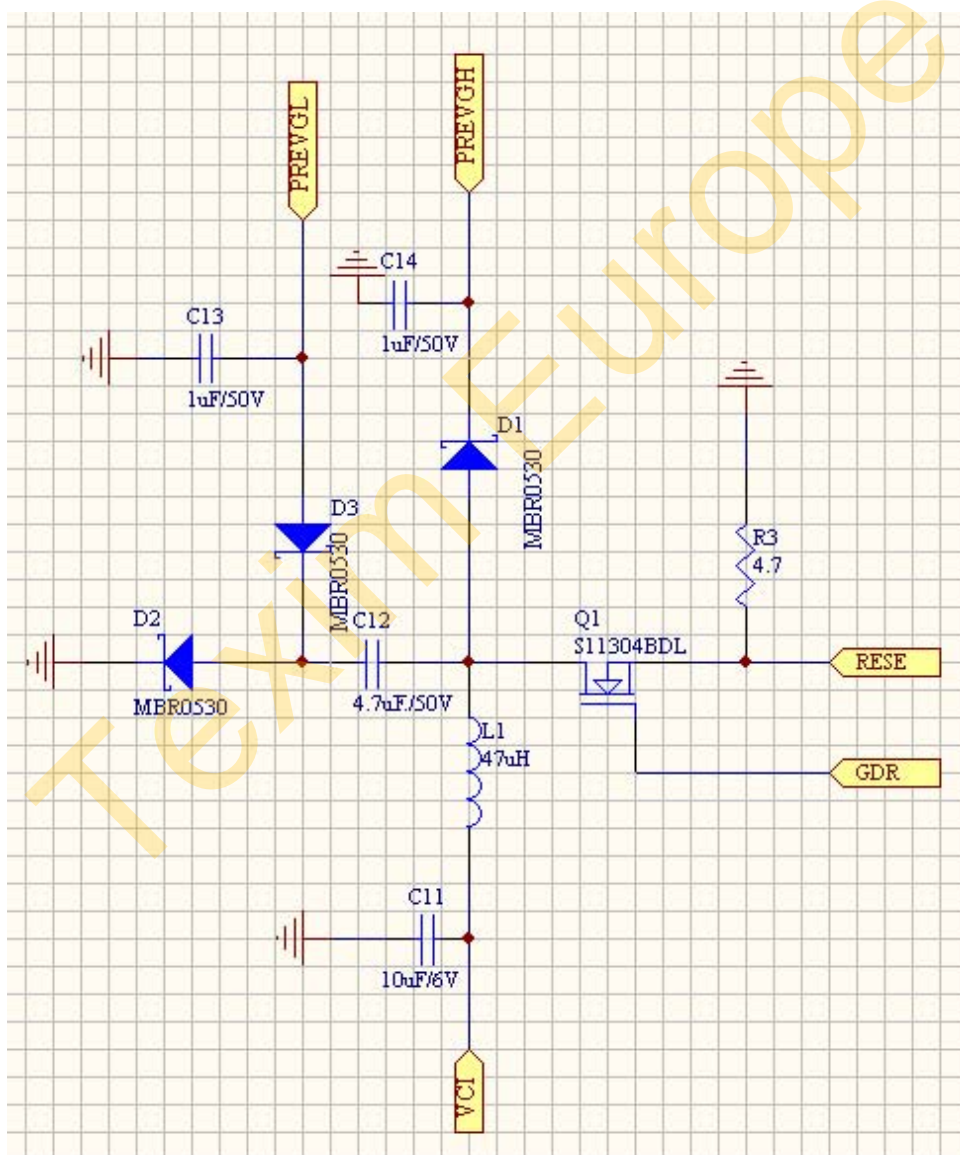


Figure . 12-3

File Name	Specification For TINK 2.9' EPD	Module Number	TINK-EPD29A01
Version	A/0	Page Number	22 of 33

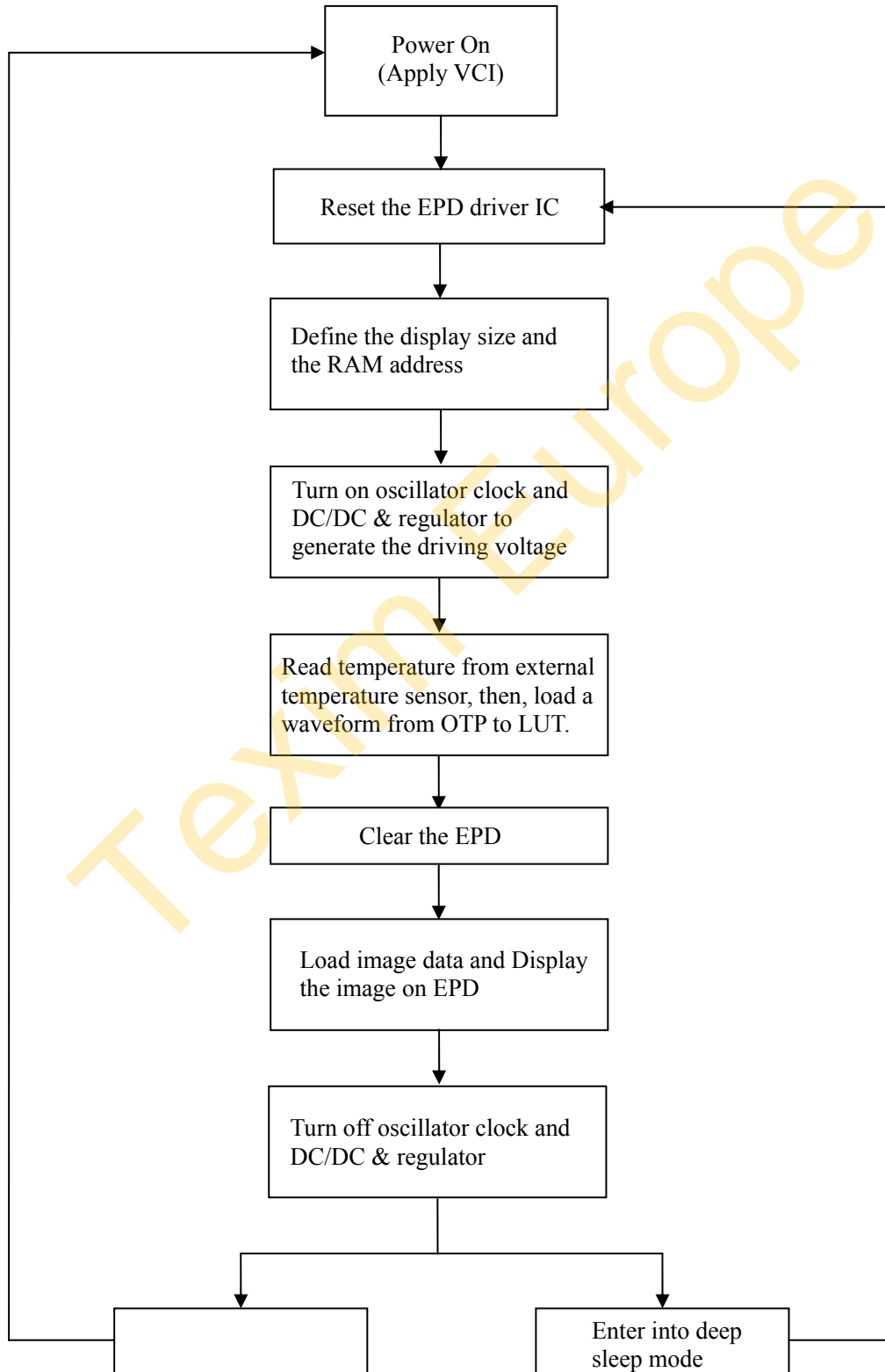


**Figure . 12-4**

File Name	Specification For TINK 2.9' EPD	Module Number	TINK-EPD29A01
Version	A/0	Page Number	23 of 33

## 13 Typical Operating Sequence

### 13.1 Normal Operation Flow





<b>File Name</b>	<b>Specification For TINK 2.9' EPD</b>	<b>Module Number</b>	<b>TINK-EPD29A01</b>
<b>Version</b>	A/0	<b>Page Number</b>	24 of 33

**13.2 Reference Program Code**

**TBD**

Texim Europe



File Name	Specification For TINK 2.9' EPD	Module Number	TINK-EPD29A01
Version	A/0	Page Number	25 of 33

## 14 Optical characteristics

### 14.1 Specifications

Measurements are made with that the illumination is under an angle of 45 degrees, the detection is perpendicular unless otherwise specified.

T=25°C

SYMBOL	PARAMETER	CONDITIONS	MIN	TYPE	MAX	UNIT	Note
R	Reflectance	White	34	43	-	%	Note 9-1
Gn	2Grey Level	-	-	$DS+(WS-DS) \times n(m-1)$	-	L*	-
CR	Contrast Ratio	indoor	-	10	-	-	-
T <sub>update</sub>	Update time	25°C	-	600ms	-	ms	-
Panel's life		0°C~50°C		1000000 times or 5 years			Note 9-2

WS : White state, DS : Dark state

Gray state from Dark to White : DS、WS

m : 2

Note 9-1 : Luminance meter : Eye – One Pro Spectrophotometer

Note 9-2 : When work in temperature below 0 degree or above 50 degree , we do not recommend because the panel's life will not be guaranteed

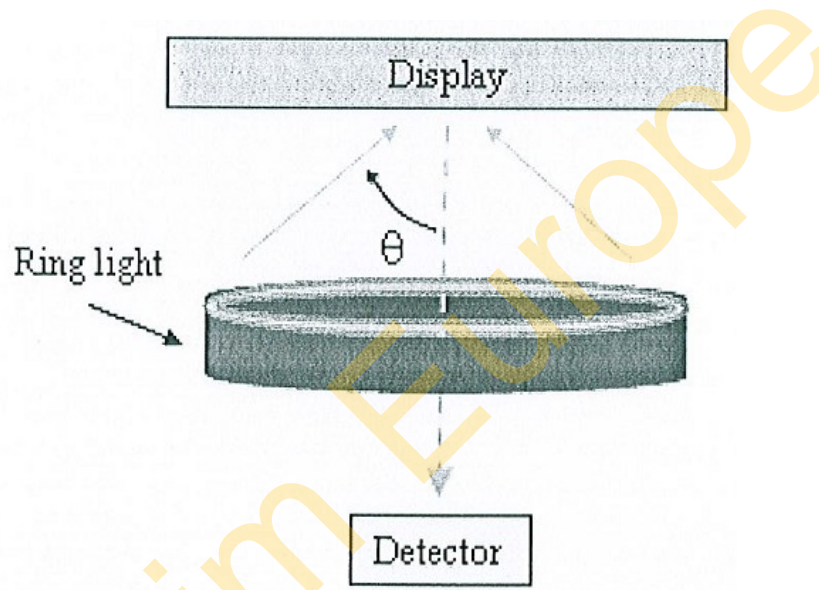
File Name	Specification For TINK 2.9' EPD	Module Number	TINK-EPD29A01
Version	A/0	Page Number	26 of 33

## 14.2 Definition of contrast ratio

The contrast ratio (CR) is the ratio between the reflectance in a full white area (R1) and the reflectance in a dark area (Rd) :

R1: white reflectance      Rd: dark reflectance

$$CR = R1/Rd$$



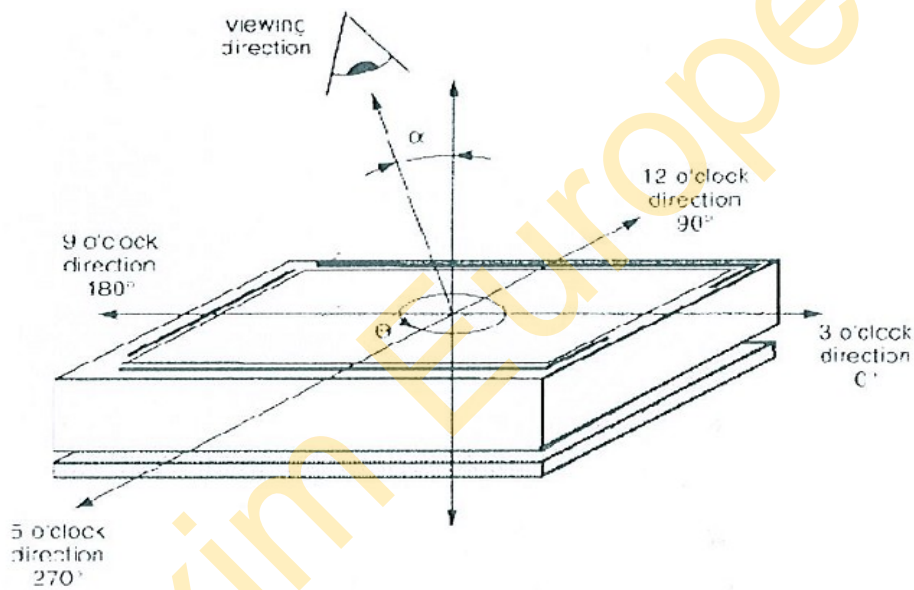
File Name	Specification For TINK 2.9' EPD	Module Number	TINK-EPD29A01
Version	A/0	Page Number	27 of 33

### 14.3 Reflection Ratio

The reflection ratio is expressed as :

$$R = \text{Reflectance Factor white board} \times (L_{\text{center}} / L_{\text{white board}})$$

L center is the luminance measured at center in a white area (R=G =B=1) . L white board is the luminance of a standard white board . Both are measured with equivalent illumination source . The viewing angle shall be no more than 2 degrees .



### 14.4 Bi-stability

1. The value of Contrast ratio in different time as follows:

Bi-stability	Result
250 hours	CR >8
500 hours	CR >8
750 hours	CR >7.5
1000 hours	CR >7



<b>File Name</b>	<b>Specification For TINK 2.9' EPD</b>	<b>Module Number</b>	<b>TINK-EPD29A01</b>
<b>Version</b>	A/0	<b>Page Number</b>	28 of 33

## 15 Handling ,Safety and environmental requirements

<b>WARNING</b>
The display glass may break when it is dropped or bumped on a hard surface . Handle with care. Should the display break, do not touch the electrophoretic material . In case of contact with electrophoretic material , wash with water and soap.

<b>CAUTION</b>
The display module should not be exposed to harmful gases , such as acid and alkali gases , which corrode electronic components.
Disassembling the display module can cause permanent damage and invalidate the warranty agreements.

Observe general precautions that are common to handling delicate electronic components . The glass can break and front surfaces can easily be damaged . Moreover the display is sensitive to static electricity and other rough environmental conditions.

<b>Data sheet status</b>	
Product specification	The data sheet contains final product specifications.
<b>Limiting values</b>	
Limiting values given are in accordance with the Absolute Maximum Rating System (IEC 134). Stress above one or more of the limiting values may cause permanent damage to the device. These are stress ratings only and operation of the device at these or any other conditions above those given in the Characteristics sections of the specification is not implied . Exposure to limiting values for extended periods may affect device reliability.	
<b>Application information</b>	
Where application information is given , it is advisory and dose not form part of the specification.	

<b>Product Environmental certification</b>	
ROHS	

<b>File Name</b>	<b>Specification For TINK 2.9' EPD</b>	<b>Module Number</b>	<b>TINK-EPD29A01</b>
<b>Version</b>	A/0	<b>Page Number</b>	29 of 33

## 16 Reliability test

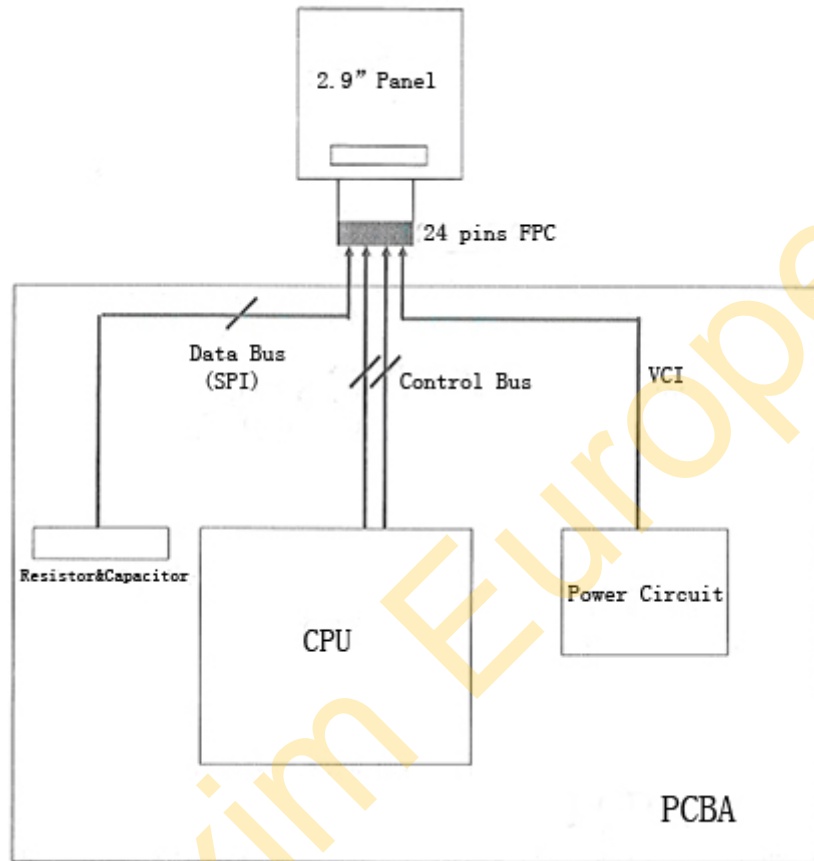
	<b>TEST</b>	<b>CONDITION</b>	<b>METHOD</b>	<b>REMARK</b>
1	High-Temperature Operation	T = 50°C, 30% for 240 hrs	IEC 60 068-2-2Bp	
2	Low-Temperature Operation	T = 0°C for 240 hrs	IEC 60 068-2-2Ab	
3	High-Temperature Storage	T = +70°C, 23% for 240 hrs Test in white pattern	IEC 60 068-2-2Bp	
4	Low-Temperature Storage	T = -25°C for 240 hrs Test in white pattern	IEC 60 068-2-2Ab	
5	High Temperature, High-Humidity Operation	T=+40°C, RH=90%for168hrs	IEC 60 068-2-3CA	
6	High Temperature, High-Humidity Storage	T=+60°C, RH=80%for240hrs Test in white pattern	IEC 60 068-2-3CA	
7	Temperature Cycle	[-25°C 30mins]→ [+70°C 30mins] ,100cycles Test in white pattern	IEC 60 068-2-14NB	

Actual EMC level to be measured on customer application.

Note : The protective film must be removed before temperature test.

File Name	Specification For TINK 2.9' EPD	Module Number	TINK-EPD29A01
Version	A/0	Page Number	30 of 33

**17 Block Diagram**



File Name	Specification For TINK 2.9' EPD	Module Number	TINK-EPD29A01
Version	A/0	Page Number	31 of 33

## 18 Point and line standard

### Shipment Inseption Standard

Equipment: Electrical test fixture, Point gauge

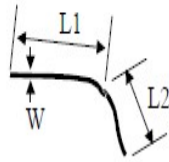
Outline demension:

36.7(H)×79.0(V) ×1.05(D)

Unit: mm

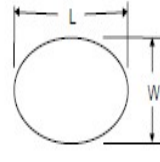
Environment	Temperature	Humidity	Illuminance	Distance	Time	Angle
	19℃~25℃	40%~55%RH	700~1000Lux	200~400 mm	35Sec	
appearance standard	Defet type	Inspection	Standard		Part-A	
	dead/ switch point (point overproof)	Electric Display	D≤0.2mm		Ignore	
			0.2 mm<D≤0.4 mm		N≤3	
			D>0.4 mm		Not Allow	
	2.line (no switch)	Electric Display	L≤0.5mm, to point to determine			
			L≤4W, to point to determine			
	3.line (Switching line)	Electric Display	Ignore in gray scale viewing In Blak&white viewing Follow Non-Switching Criteria			
	4.Display unwork	Electric Display	Not Allow			
	5.Display error	Electric Display	Not Allow			
	6. warping	Vsual	T<0.5mm, Ignore;			
	7.Protector hurt	Vsual	L≤2mm, W≤0.05mm, Ignore;			
			0.05mm<W≤01mm, L≤4mm, N≤2			
			L>4 mm, W>0.1 mm, Not Allow;			
8.PS Bubble	Vsual	D≤0.20mm, Ignore;				
		0.2mm≤D<0.35mm & N≤2				
		D>0.35 mm, Not Allow;				
9.Packing	Vsual	cannot be dirty and breakdown;must be marked and identified				
Remark	1. Cannot be defect&failure cause by appearence defect;					
	2. Cannot be larger size cause by appearence defect;					

<b>File Name</b>	<b>Specification For TINK 2.9' EPD</b>	<b>Module Number</b>	<b>TINK-EPD29A01</b>
<b>Version</b>	A/0	<b>Page Number</b>	32 of 33



$$L = L1 + L2$$

Line Defect



$$D = (L + W) / 2$$

Spot Defect

L=long W=wide D=point size

Edition	Content	Date
1	New edition	Sep.26.2014



File Name	Specification For TINK 2.9' EPD	Module Number	TINK-EPD29A01
Version	A/0	Page Number	33 of 33

## 19 Packing

### 包装文件

文件编号:

	产品型号	HINK-E029A01-A0	限制日期	2015.5.16	版本	A0	页码	3-1
--	------	-----------------	------	-----------	----	----	----	-----

一、外包装方式: 纸箱

外箱型号	HINK-E029A01-ZX-A0
外箱尺寸	515*322*170
产品总数量	240 PCS

产品图纸

二、内包装方式: 吸塑

单位: mm

吸塑盒	465*280*15	13 pcs
防静电铝箔袋	700*530*0.1	1 pcs
吸塑盘珍珠棉垫	408.86*231.6*3	12 pcs
天地珍珠棉垫	485*145*10	2 pcs
左右珍珠棉垫	285*480*10	2 pcs
前后珍珠棉垫	310*145*10	2 pcs
纸板	500*300*5	2 pcs
产品数量/套	20 pcs	
套数/孔	12*1 Sheets	
孔数/箱	1	

步骤一。

材料: 吸塑, 吸塑盘珍珠棉垫

产品如图所示将显示面朝上方向一致放在吸塑盒里面, 每套里面再放上防静电铝箔珍珠棉垫。

步骤二。

- 1), 吸塑盒与吸塑盒之间需安装180度摆放。
- 2), 每孔放置12层产品, 共32\*12=384片产品。
- 3), 表层交叉放置1个空吸塑盒

步骤三。

- 1), 在每孔吸塑盒里面放入袋+焊剂再围胶纸封装。
- 2), 将封好的吸塑放进纸箱袋中
- 3), 对纸箱袋进行热压封口

步骤四。

- 1), 先将纸板放入纸箱底部再放上天地珍珠棉垫, 最后把左右及前后珍珠棉垫放入纸箱的左右前后。
- 2), 将封好的产品放入纸箱里面
- 3), 再装好产品纸箱最上面放上天地珍珠棉垫, 再放上纸板。

步骤五。

- 1), 用胶纸将装有产品的纸箱封好。
- 2), 在外箱的外面贴上山货标签, 标签不可覆盖安全运输标识及无铅标识。

拟制	肖忠平	审核		批准	
日期	2015.5.16				

## The Netherlands



Elektrostraat 17  
NL-7483 PG Haaksbergen

T: +31 (0)53 573 33 33  
F: +31 (0)53 573 33 30  
E: [nl@texim-europe.com](mailto:nl@texim-europe.com)

## Belgium



Zuiderlaan 14 bus 10  
B-1731 Zellik

T: +32 (0)2 462 01 00  
F: +32 (0)2 462 01 25  
E: [belgium@texim-europe.com](mailto:belgium@texim-europe.com)

## UK & Ireland



St. Mary's House, Church Lane  
Carlton Le Moorland  
Lincoln LN5 9HS

T: +44 (0)1522 789 555  
F: +44 (0)845 299 22 26  
E: [uk@texim-europe.com](mailto:uk@texim-europe.com)

## Germany North



Bahnhofstrasse 92  
D-25451 Quickborn

T: +49 (0)4106 627 07-0  
F: +49 (0)4106 627 07-20  
E: [germany@texim-europe.com](mailto:germany@texim-europe.com)

## Germany South



Martin-Kollar-Strasse 9  
D-81829 München

T: +49 (0)89 436 086-0  
F: +49 (0)89 436 086-19  
E: [germany@texim-europe.com](mailto:germany@texim-europe.com)

## Austria



Warwitzstrasse 9  
A-5020 Salzburg

T: +43 (0)662 216 026  
F: +43 (0)662 216 026-66  
E: [austria@texim-europe.com](mailto:austria@texim-europe.com)

## Nordic region



Sdr. Jagtvej 12  
DK-2970 Hørsholm

T: +45 88 20 26 30  
F: +45 88 20 26 39  
E: [nordic@texim-europe.com](mailto:nordic@texim-europe.com)

## General information



[info@texim-europe.com](mailto:info@texim-europe.com)  
[www.texim-europe.com](http://www.texim-europe.com)