

# Product Information

1/LPP 443441 S PCM PC  
EZPack S ▶ VKB 56455 701 099



- MM ▶ month two digits
- Y ▶ year one digit
- R ▶ week one digit

## 1. GENERAL

Battery with safety circuit and plastic housing

- Cell ▶ LPP 443441 S
- PCM ▶ Yes
- NTC ▶ 10 kΩ ±1%; B-Value 3435K ±1%
- ID ▶ 3.9 kΩ ±1%
- Configuration ▶ 1S
- Weight ▶ appr. 15g

## 2. ELECTRICAL SPECIFICATION

- Rated Capacity ▶ 630mAh min., 660mAh typical
- Nominal Voltage ▶ 3.7V
- Watt-Hour Rating ▶ 2.4Wh
- Charging Method ▶ Constant Current + Constant Voltage
- Max. Charge Voltage: ▶ 4.2V
- Max. Continuous Charge Current: ▶ 630mA
- Rec. Charge Cut Off: ▶ by current 6.3mA or time 3.5h
- Max. Continuous Discharge Current: ▶ 1260mA (limited by cell)
- Rec. Discharge Cut Off: ▶ 3V
- Internal Impedance: ▶ approx. 115 mΩ
- Expected Cycle Life @ (1C/1C) @ 23 ±5°C ▶ >500 cycles >70% of initial cap.

## CELL PROTECTION

- Overcharge Detection ▶ 4.3 ±0.02V (0.8 to 1.2sec. delay, resume 4.1V ±0.03V)
- Overdischarge Detection: ▶ 2.40V ±0.035V (76.8 to 115.2msec. delay, resume remove load & charging current)
- Overcurrent Detection ▶ 3.2A to 5.2A (9.6 to 14.4msec. delay)

## 3. AMBIENT CONDITIONS

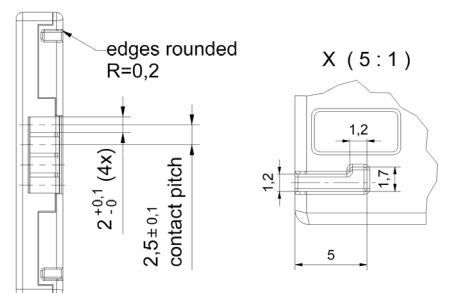
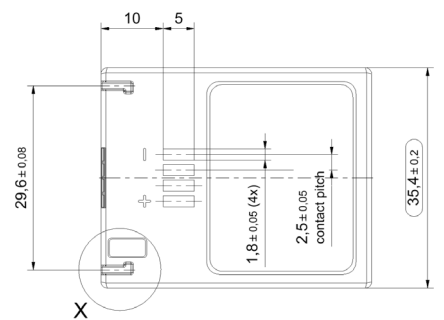
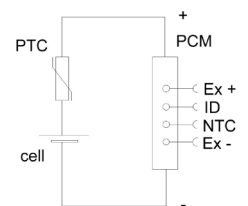
- Temperature Range
  - Charge ▶ 0 to +45°C
  - Discharge ▶ -20 to +60°C
  - Storage ▶ Less than 1 month at -20 to +60°C  
Less than 3 months at -20°C to +45°C  
Less than 1 year at -20°C to +30°C
- Humidity ▶ 65 ± 20%RH

## 4. ENVIRONMENTAL AND SAFETY

Please follow VARTA Handling and Safety Precautions for Lilon & LiPolymer.  
The cell is approved according UL1642 and UN 38.3 certified.  
This battery meets the requirements of Battery Directives and the battery parts are RoHS-Compliant.  
This battery is UL recognized and is certified according to IEC 62133 edition 2 (pending).

Minimum Order Quantity: 750 pcs / Order Multiples: 150 pcs - Product for OEM customers only!

## Protection Circuit Module



## The Netherlands



Elektrostraat 17  
NL-7483 PG Haaksbergen

T: +31 (0)53 573 33 33  
F: +31 (0)53 573 33 30  
E: [nl@texim-europe.com](mailto:nl@texim-europe.com)

## Belgium



Zuiderlaan 14 bus 10  
B-1731 Zellik

T: +32 (0)2 462 01 00  
F: +32 (0)2 462 01 25  
E: [belgium@texim-europe.com](mailto:belgium@texim-europe.com)

## UK & Ireland



St. Mary's House, Church Lane  
Carlton Le Moorland  
Lincoln LN5 9HS

T: +44 (0)1522 789 555  
F: +44 (0)845 299 22 26  
E: [uk@texim-europe.com](mailto:uk@texim-europe.com)

## Germany North



Bahnhofstrasse 92  
D-25451 Quickborn

T: +49 (0)4106 627 07-0  
F: +49 (0)4106 627 07-20  
E: [germany@texim-europe.com](mailto:germany@texim-europe.com)

## Germany South



Martin-Kollar-Strasse 9  
D-81829 München

T: +49 (0)89 436 086-0  
F: +49 (0)89 436 086-19  
E: [germany@texim-europe.com](mailto:germany@texim-europe.com)

## Austria



Warwitzstrasse 9  
A-5020 Salzburg

T: +43 (0)662 216 026  
F: +43 (0)662 216 026-66  
E: [austria@texim-europe.com](mailto:austria@texim-europe.com)

## Nordic region



Sdr. Jagtvej 12  
DK-2970 Hørsholm

T: +45 88 20 26 30  
F: +45 88 20 26 39  
E: [nordic@texim-europe.com](mailto:nordic@texim-europe.com)

## General information



[info@texim-europe.com](mailto:info@texim-europe.com)  
[www.texim-europe.com](http://www.texim-europe.com)