

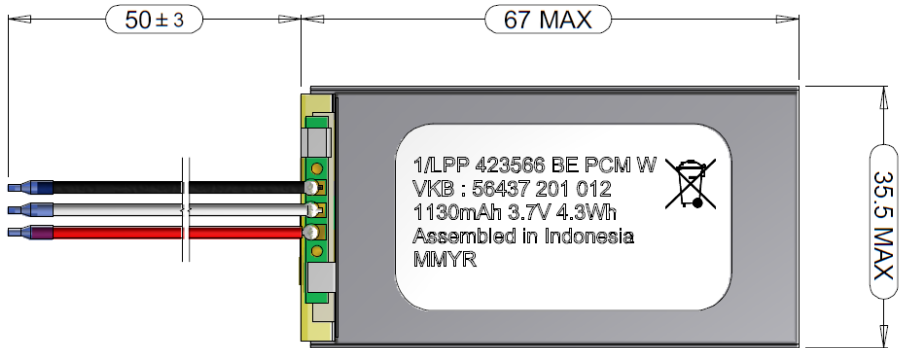
Product Information



1/LPP 423566 BE PCM W
 ▶ VKB 56437 201 012

Distributed by:

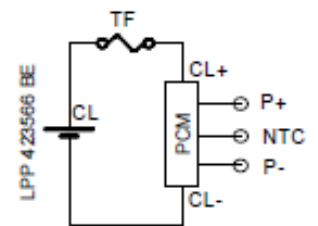
www.texim-europe.com



1/LPP 423566 BE PCM W
 VKB : 56437 201 012
 1130mAh 3.7V 4.3Wh
 Assembled in Indonesia
 MMYR

MM ▶ month two digits
 Y ▶ year one digit
 R ▶ plant one digit

Circuit Diagram



1. GENERAL

- Battery Pack including safety circuit and wires
- Cell ▶ LPP 423566 BE
 - PCM ▶ Yes
 - NTC ▶ 10 kΩ ± 1%; B-Value 3380 ± 1%
 - ID ▶ None
 - Configuration ▶ 1S
 - Weight ▶ appr. 26g

2. ELECTRICAL SPECIFICATION

- Rated Capacity ▶ 1130mAh min., 1160mAh typical
- Nominal Voltage ▶ 3.7V
- Watt-Hour Rating ▶ 4.3Wh
- Charging Method ▶ Constant Current + Constant Voltage
- Max. Charge Voltage [V]: ▶ 4.2 (±50mV)
- Max. Continuous Charge Current: ▶ 1130mA (limited by cell DS)
- Rec. Charge Cut Off: ▶ by current 20mA or timer 2.5h
- Max. Continuous Discharge Current: ▶ 2000mA (limited by PCM)
- Rec. Discharge Cut Off: ▶ 3V
- Internal Impedance: ▶ approx. 120mΩ
- Expected Cycle Life @ (C/2) @ 20°C ▶ 400 cycles >75% of initial cap.

CELL PROTECTION

- Overcharge Detection ▶ 4.275V ± 25mV (0.7 to 1.3sec. delay, resume 4.275V ± 25mV)
- Overdischarge Detection: ▶ 2.30V ± 85mV (14 to 26msec. delay, resume 2.3V ± 58mV)
- Overcurrent Detection ▶ 2.0A to 4.0A (8 to 16msec. delay)

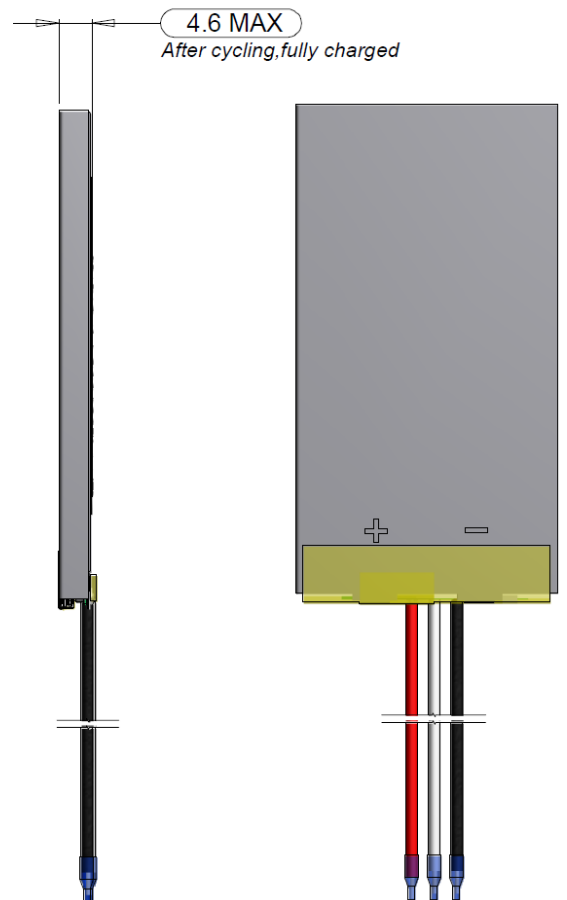
3. AMBIENT CONDITIONS

- Temperature Range
 - Charge ▶ 0 to +45°C
 - Discharge ▶ -20 to +60°C
 - Storage Temperature ▶ 6 months at -20 to +35°C
 ▶ 1 month at -20°C to +45°C
- Humidity ▶ 65 ± 20%RH

4. ENVIRONMENTAL AND SAFETY

Please follow VARTA Handling and Safety Precautions for Lilon & LiPolymer.
 The cell used is a UL recognized component according to UL1642 and UN 38.3 certified.
 The cell is IEC 62133 edition 2 certified.
 This battery meets the requirements of Battery Directives and the battery parts are RoHS-Compliant.

Minimum Order Quantity: 600 pcs / Order Multiples: 120 pcs - Product for OEM customers only!



The Netherlands



Elektrostraat 17
NL-7483 PG Haaksbergen

T: +31 (0)53 573 33 33
F: +31 (0)53 573 33 30
E: nl@texim-europe.com

Belgium



Zuiderlaan 14 bus 10
B-1731 Zellik

T: +32 (0)2 462 01 00
F: +32 (0)2 462 01 25
E: belgium@texim-europe.com

UK & Ireland



St. Mary's House, Church Lane
Carlton Le Moorland
Lincoln LN5 9HS

T: +44 (0)1522 789 555
F: +44 (0)845 299 22 26
E: uk@texim-europe.com

Germany North



Bahnhofstrasse 92
D-25451 Quickborn

T: +49 (0)4106 627 07-0
F: +49 (0)4106 627 07-20
E: germany@texim-europe.com

Germany South



Martin-Kollar-Strasse 9
D-81829 München

T: +49 (0)89 436 086-0
F: +49 (0)89 436 086-19
E: germany@texim-europe.com

Austria



Warwitzstrasse 9
A-5020 Salzburg

T: +43 (0)662 216 026
F: +43 (0)662 216 026-66
E: austria@texim-europe.com

Nordic region



Sdr. Jagtvej 12
DK-2970 Hørsholm

T: +45 88 20 26 30
F: +45 88 20 26 39
E: nordic@texim-europe.com

General information



info@texim-europe.com
www.texim-europe.com