



Winstar Display Co., LTD

華凌光電股份有限公司

WEB: <http://www.winstar.com.tw>

E-mail: winstar@winstar.com.tw



Distributed by:

SPECIFICATION



CUSTOMER : _____

MODULE NO.: WF35NTVAJDNNO#

<p>APPROVED BY: (FOR CUSTOMER USE ONLY)</p>	<p>PCB VERSION: _____</p> <p>DATA: _____</p>
----------------------------------------------------------	------------------------------------------------------------

SALES BY	APPROVED BY	CHECKED BY	PREPARED BY
			葉虹蘭
ISSUED DATE: 2016/01/21			

TFT Display Inspection Specification: <http://www.winstar.com.tw/service.php>

RECORDS OF REVISION

DOC. FIRST ISSUE

VERSION	DATE	REVISED PAGE NO.	SUMMARY
0	2015/02/03		First issue
A	2015/03/16		Remove the description of TFT color part
B	2015/04/27		Modify Reliability.
C	2015/11/02		Modify Initial Code.
D	2016/01/21		Modify Static electricity test

Texim EUROPE

Contents

- 1.Module Classification Information
- 2.Summary
- 3.General Specification
- 4.Absolute Maximum Ratings
- 5.Electrical Characteristics
- 6.DC Characteristics
- 7.AC Characteristics
- 8.Optical Characteristics
- 9.Interface
- 10.Block Diagram
- 11.Reliability
- 12.Contour Drawing
- 13.Initial Code For Reference

1.Module Classification Information

W F 35 N T V A J D N N 0 #
 ① ② ③ ④ ⑤ ⑥ ⑦ ⑧ ⑨ ⑩ ⑪ ⑫ ⑬

①	Brand : WINSTAR DISPLAY CORPORATION						
②	Display Type : F→TFT Type, J→Custom TFT						
③	Display Size : 3.5" TFT						
④	Model serials no.						
⑤	Backlight Type :	F→CCFL, White S→LED, High Light White			T→LED, White		
⑥	LCD Polarize Type/ Temperature range/ Gray Scale Inversion Direction	C→Transmissive, N. T, 6:00 ; I→Transmissive, W. T, 6:00 F→Transmissive, N.T,12:00 ; L→Transmissive, W.T,12:00 N→Transmissive, Super W.T, 6:00 Q→Transmissive, Super W.T, 12:00 X→Transmissive, W.T, VA TFT V→Transmissive, Super W.T, VA TFT R→Transmissive, Super W.T, O-TFT Z→Transmissive, W.T, O-TFT A→Transmissive, N.T, IPS TFT Y→Transmissive, W.T, IPS TFT					
⑦	A : TFT LCD B : TFT+FR+CONTROL BOARD C : TFT+FR+A/D BOARD D : TFT+FR+A/D BOARD+CONTROL BOARD E : TFT+FR+POWER BOARD F : TFT+CONTROL BOARD			G : TFT+FR H : TFT+D/V BOARD I : TFT+FR+D/V BOARD J : TFT+POWER BD			
⑧	Resolution:						
	A: 128160	B:320234	C:320240	D:480234	E:480272	F: 640480	G: 800480
	H:1024600	I:320480	J:240320	K:800600	L:240400	M :1024768	P :1280800
	S:480128	T:800320					
⑨	D: Digital L : LVDS						
⑩	Interface : N : without control board A : 8Bit B : 16Bit						
⑪	TS : N : Without TS T : resistive touch panel C : capacitive touch panel (G-F-F) G : capacitive touch panel(G-G)						
⑫	Version						
⑬	Special Code	#:Fit in with ROHS directive regulations					

2.Summary

This technical specification applies to 3.45' Mono TFT-LCD panel. The 3.45' Mono TFT-LCD panel is designed for camcorder, digital camera application and other electronic products which require high quality flat panel displays. This module follows RoHS.

Texim Europe

3. General Specifications

Item	Dimension	Unit
Size	3.5	inch
Dot Matrix	240 x 320	dots
Module dimension	62.9 x 86.54 x 4.1	mm
Active area	53.28 x 71.04	mm
Dot pitch	0.222 x 0.222	mm
LCD type	TFT, Mono Transmissive	
View Direction	Wide View	
Gray Scale	16 Gray scale (4BPP)/ 4 Gray scale (2BPP)/ 2 Gray scale (1BPP)	
Driver IC	ST7511	
Backlight Type	LED, Normally White	
With /Without TP	Without TP	
Surface	Glare	

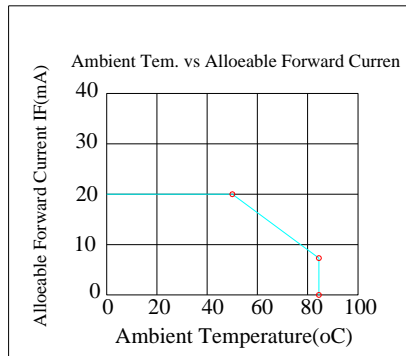
* Mono tone slight changed by temperature and driving voltage.

4. Absolute Maximum Ratings

Item	Symbol	Min	Typ	Max	Unit
Operating Temperature	TOP	-30	—	+80	°C
Storage Temperature	TST	-30	—	+80	°C

Note: Device is subject to be damaged permanently if stresses beyond those absolute maximum ratings listed above

1. Temp. $\leq 60^{\circ}\text{C}$, 90% RH MAX. Temp. $> 60^{\circ}\text{C}$, Absolute humidity shall be less than 90% RH at 60°C



Texim Europe

5. Electrical Characteristics

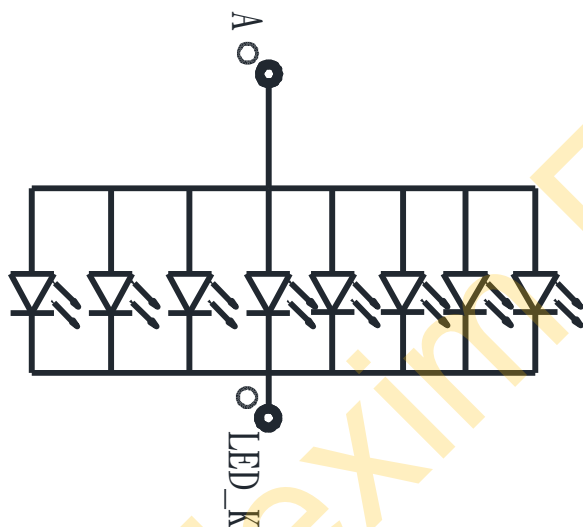
5.1. Operating conditions:

Item	Symbol	Condition	Min	Typ	Max	Unit	Remark
Supply Voltage For LCM	VDD	—	3.0	3.3	3.6	V	
Supply Current For LCM	IDD	—	—	13	—	mA	Note1
Power Consumption	—	—	—	—	46.8	mW	

Note1: This value is test for VDD=3.3V only

5.2. LED driving conditions

Parameter	Symbol	Min.	Typ.	Max.	Unit	Remark
LED current		—	160	—	mA	
Power Consumption		—	—	—	mW	
LED voltage	A-K	2.8	3.0	3.3	V	Note 1
LED Life Time		—	50,000	—	Hr	Note 2,3,4



Note 1 : Power supply the back light specification

Note 2 : Ta = 25 °C

Note 3 : Brightness to be decreased to 50% of the initial value

Note 4 : The single LED lamp case

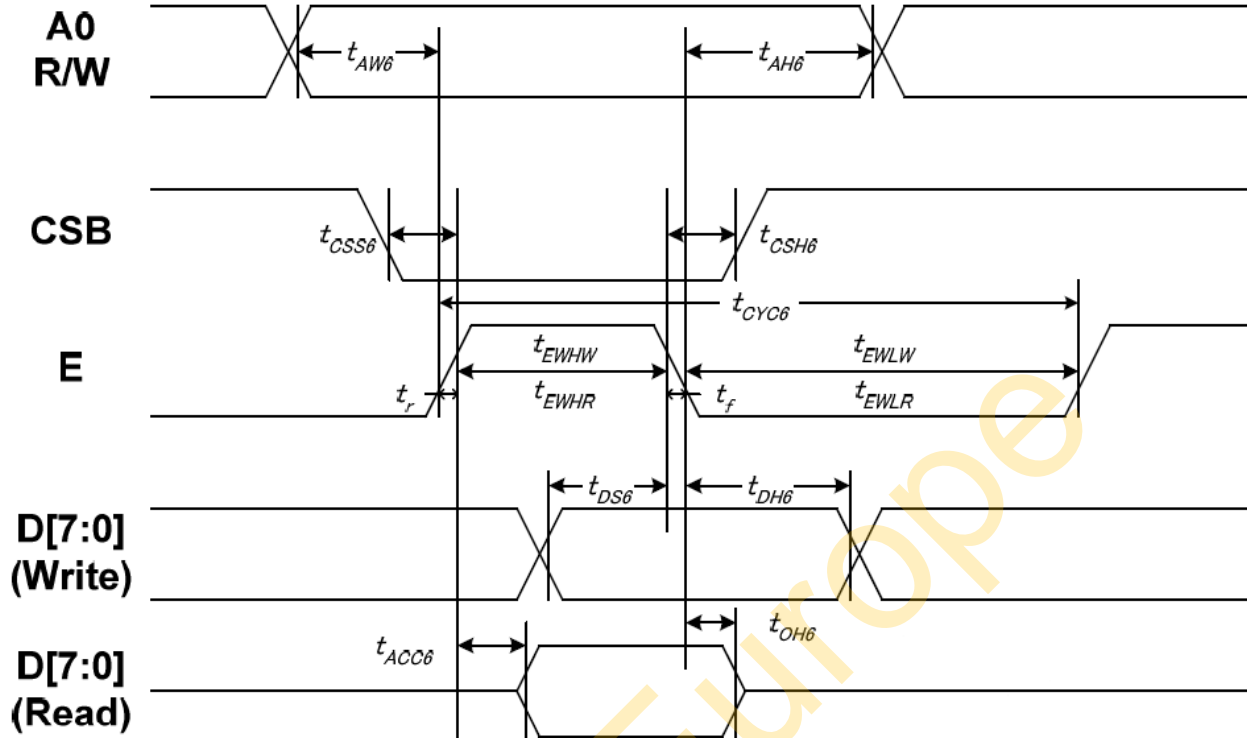
6.DC CHARACTERISTICS

Parameter	Symbol	Rating			Unit	Condition
		Min	Typ	Max		
Low level input voltage	V_{IL}	0	-	0.3VDD	V	
High level input voltage	V_{IH}	0.7VDD	-	VDD	V	

Texim Europe

7.AC CHARACTERISTICS

7.1. System Bus Timing for 6800 Series MPU

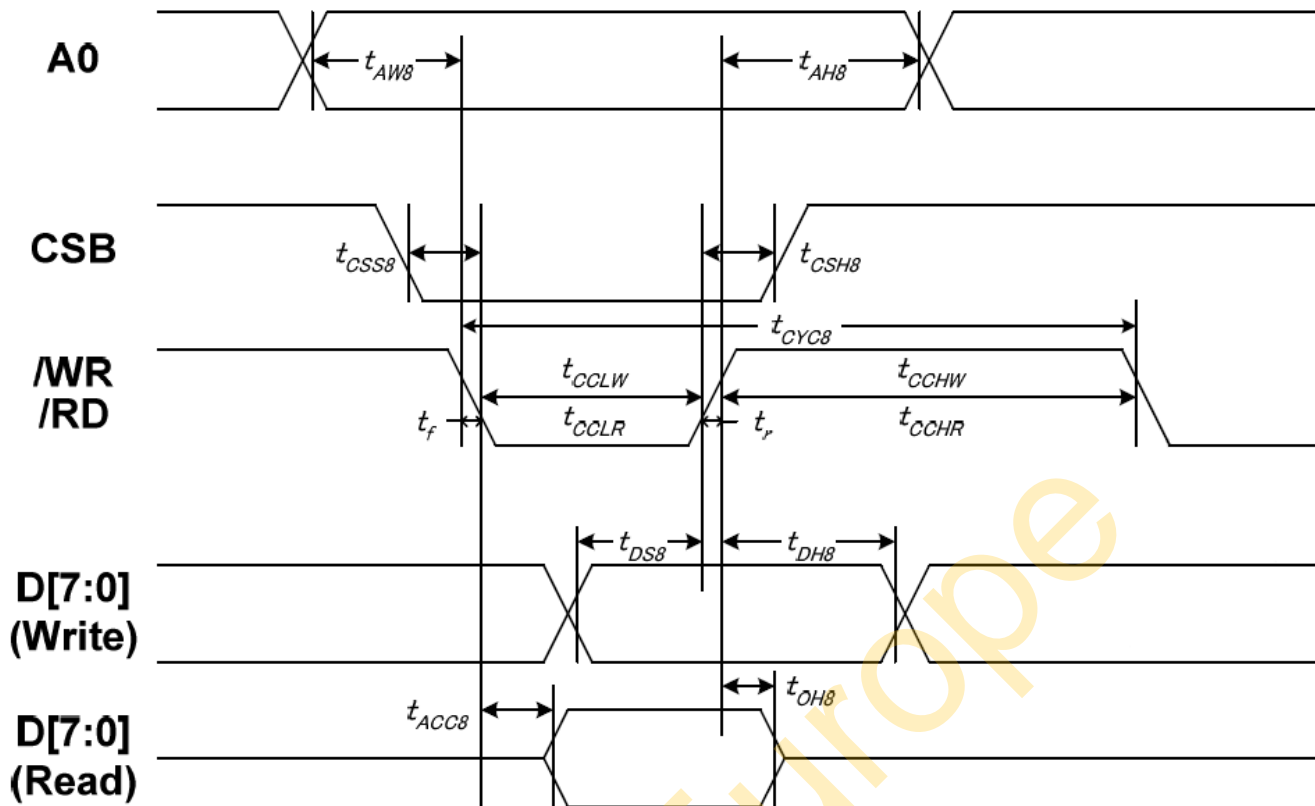


Item	Signal	Symbol	Condition	Min	Max	Unit
Address setup time	A0	tAW6	-	10	-	ns
Address hold time		tAH6	-	0	-	
System cycle time	E	tCYC6	-	200	-	
Enable L pulse width (WRITE)		tEHLW	-	100	-	
Enable H pulse width (WRITE)		tEHWL	-	100	-	
Enable L pulse width (READ)		tEHLR	-	130	-	
Enable H pulse width (READ)	tEHWL	-	130	-		
CSB setup time	CSB	tCSS6	-	100	-	
CSB hold time		tCSH6	-	100	-	
Write data setup time	D[7:0]	tDS6	-	70	-	
Write data hold time		tDH6	-	20	-	
Read data access time		tACC6	CL = 100 pF	-	80	
Read data output disable time		tOH6	CL = 100 pF	15	80	

Note:

- The input signal rise time and fall time (t_r , t_f) is specified at 15 ns or less. When the system cycle time is extremely fast, $(t_r + t_f) \leq (t_{CYC8} - t_{CCLW} - t_{CCHW})$ for $(t_r + t_f) \leq (t_{CYC8} - t_{CCLR} - t_{CCHR})$ are specified.
- All timing is specified using 20% and 80% of VDDI as the reference.
- t_{CCLW} and t_{CCLR} are specified as the overlap between CSB being "L" and /WR and /RD being at the "L" level. CSB and /WR (or /RD) cannot act at the same time and CSB should be 100ns wider than /WR (or /RD).

7.2. System Bus Timing for 8080 Series MPU

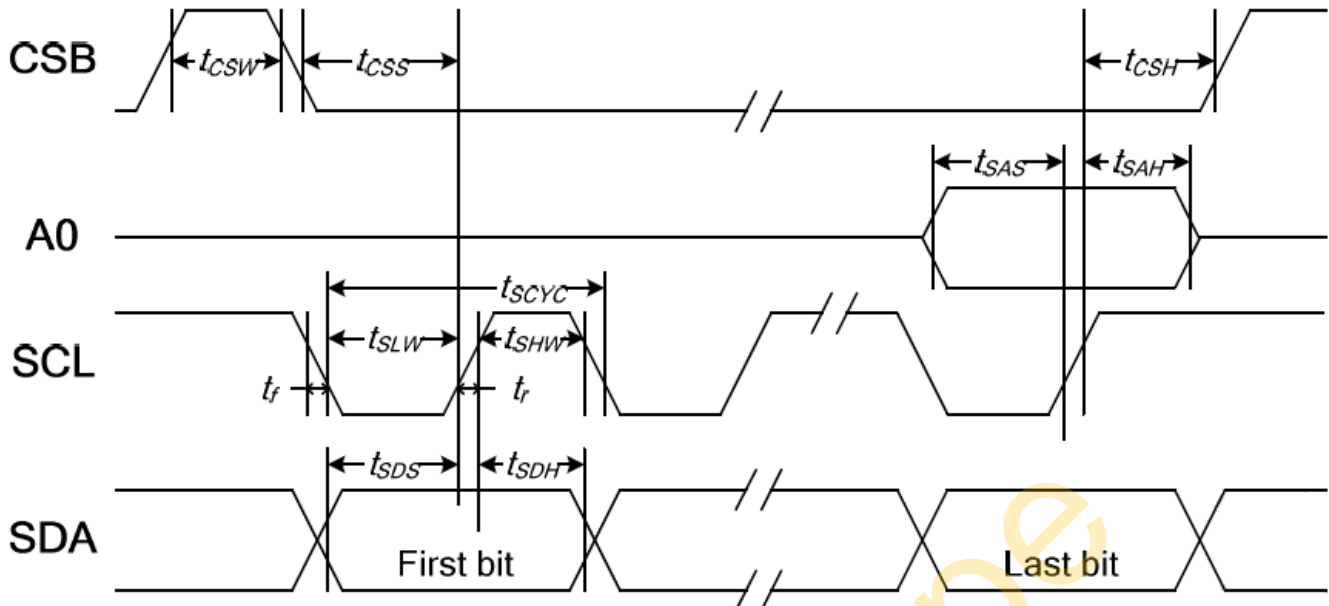


Item	Signal	Symbol	Condition	Min	Max	Unit		
Address setup time	A0	tAW8	-	10	-	ns		
Address hold time		tAH8	-	0	-			
System cycle time	/WR	tCYC8	-	200	-			
/WR L pulse width (WRITE)		tCCLW	-	100	-			
/WR H pulse width (WRITE)		tCCHW	-	100	-			
/RD L pulse width (READ)		/RD	tCCLR	-	120		-	
/RD H pulse width (READ)			tCCHR	-	120		-	
CSB setup time			CSB	tCSS8	-		100	-
CSB hold time				tCSH8	-		100	-
Write data setup time		D[7:0]	tDS8	-	70		-	
Write data hold time	tDH8		-	20	-			
Read data access time	tACC8		CL = 100 pF	-	80			
Read data output disable time	tOH8		CL = 100 pF	15	80			

Note:

- The input signal rise time and fall time (t_r , t_f) is specified at 15 ns or less. When the system cycle time is extremely fast, $(t_r + t_f) \leq (t_{CYC8} - t_{CCLW} - t_{CCHW})$ for $(t_r + t_f) \leq (t_{CYC8} - t_{CCLR} - t_{CCHR})$ are specified.
- All timing is specified using 20% and 80% of VDDI as the reference.
- t_{CCLW} and t_{CCLR} are specified as the overlap between CSB being "L" and /WR and /RD being at the "L" level. CSB and /WR (or /RD) cannot act at the same time and CSB should be 100ns wider than /WR (or /RD).

7.3. System Bus Timing for 4-Line Serial Interface

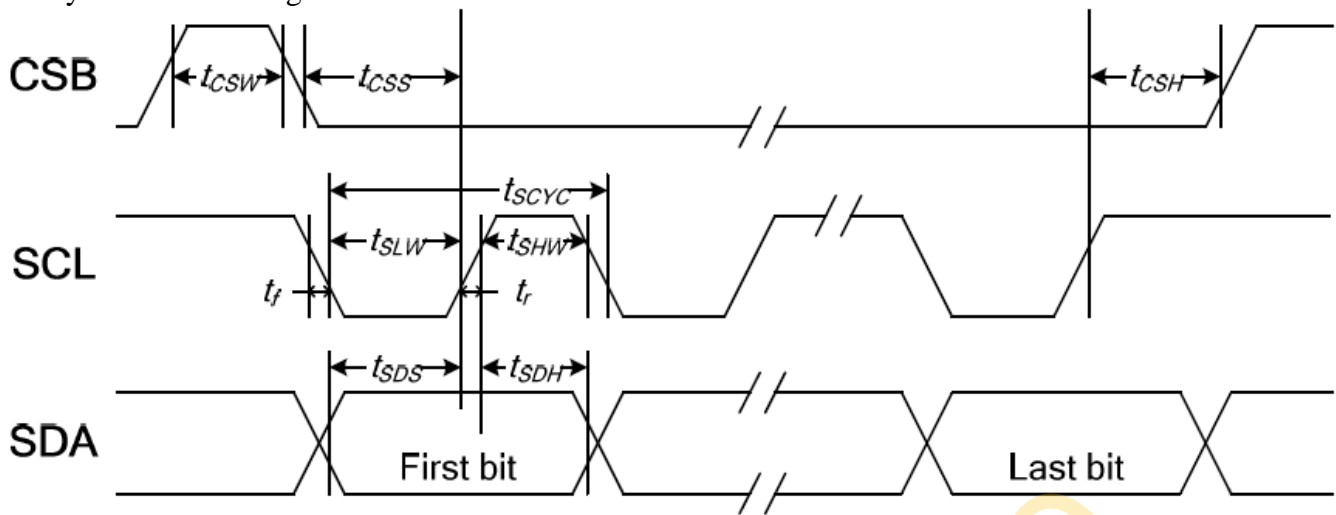


Item	Signal	Symbol	Condition	Min	Max	Unit
Serial clock period		tSCYC	-	80	-	ns
SCL "H" pulse width	SCL	tSHW	-	40	-	
SCL "L" pulse width	SCL	tSLW	-	40	-	
Address setup time	A0	tSAS	-	40	-	
Address hold time	A0	tSAH	-	40	-	
Data setup time	SDA	tSDS	-	15	-	
Data hold time	SDA	tSDH	-	20	-	
CSB-SCL time	CSB	tCSS	-	40	-	
CSB-SCL time	CSB	tCSH	-	40	-	
CSB "H" pulse width	CSB	tCSW	-	15	-	

Note:

1. The input signal rise and fall time (t_r , t_f) are specified at 15 ns or less.
2. All timing is specified using 20% and 80% of VDDI as the standard.

7.4. System Bus Timing for 3-Line Serial Interface



Item	Signal	Symbol	Condition	Min	Max	Unit
Serial clock period		tSCYC	-	80	-	ns
SCL "H" pulse width	SCL	tSHW	-	40	-	
SCL "L" pulse width	SCL	tSLW	-	40	-	
Data setup time	SDA	tSDS	-	15	-	
Data hold time	SDA	tSDH	-	20	-	
CSB-SCL time	CSB	tCSS	-	40	-	
CSB-SCL time		tCSH	-	40	-	
CSB "H" pulse width		tCSW	-	15	-	

Note:

1. The input signal rise and fall time (t_r , t_f) are specified at 15 ns or less.
2. All timing is specified using 20% and 80% of VDDI as the standard.

8. Optical Characteristics

Item	Symbol	Temp	Condition.	Min	Typ.	Max.	Unit	Remark
Response time	Tr	25°C	$\theta=0^\circ, \Phi=0$	-	35	-	.ms	Note 3
	Tf	25°C		-		-		
Contrast ratio	CR	25°C	At optimized viewing angle	-	900	-	-	Note 4
Viewing angle (Gray Scale Inversion Direction)	Hor.	Θ_R	25°C	$CR \geq 10$	80		Deg.	Note 1 Note 2
		Θ_L	25°C		80			
	Ver.	Φ_B	25°C		80			
		Φ_T	25°C		80			
Brightness	-	25°C	-	400	500	-	cd/m ²	Center of display

Ta=25±2°C, IL=160mA

Note 1: Definition of viewing angle

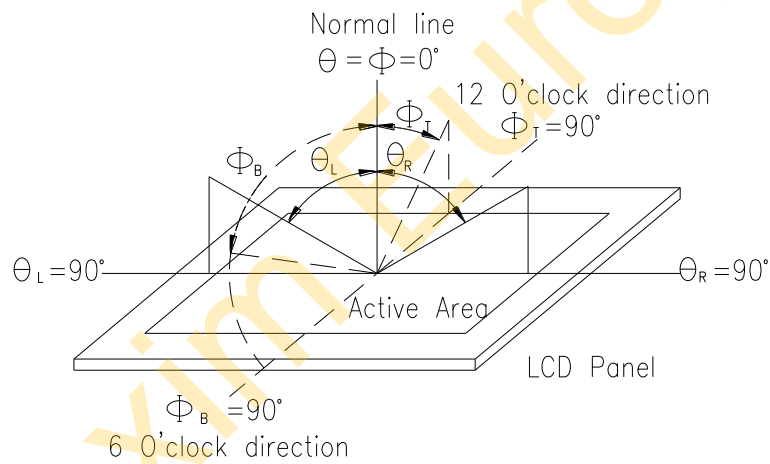


Fig. 8.1. Definition of viewing angle

Note 2: Test equipment setup: After stabilizing and leaving the panel alone at a driven temperature for 10 minutes, the measurement should be executed. Measurement should be executed in a stable, windless, and dark room. Optical specifications are measured by Topcon BM-7(BM-5) luminance meter 1.0° field of view at a distance of 50cm and normal direction.

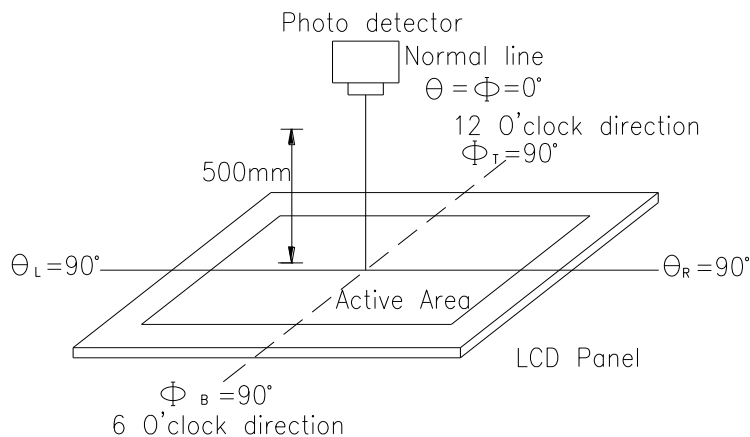
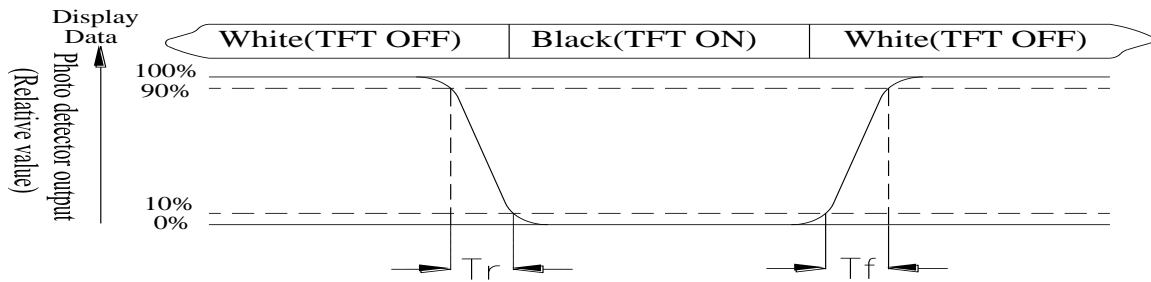


Fig. 8.2. Optical measurement system setup

Note 3: Definition of Response time:

The response time is defined as the LCD optical switching time interval between “White” state and “Black” state. Rise time, T_r , is the time between photo detector output intensity changed from 90% to 10%. And fall time, T_f , is the time between photo detector output intensity changed from 10% to 90%



Note 4: Definition of contrast ratio:

The contrast ratio is defined as the following expression.

$$\text{Contrast ratio (CR)} = \frac{\text{Luminance measured when LCD on the "White" state}}{\text{Luminance measured when LCD on the "Black" state}}$$

Note 5: White $V_i = V_{i50} \pm 1.5V$

Black $V_i = V_{i50} \pm 2.0V$

“±” means that the analog input signal swings in phase with VCOM signal.

“±” means that the analog input signal swings out of phase with VCOM signal.

The 100% transmission is defined as the transmission of LCD panel when all the input terminals of module are electrically opened.

Note 6: Measured at the center area of the panel when all the input terminals of LCD panel are electrically opened.

9.Interface

9.1. LCM PIN Definition

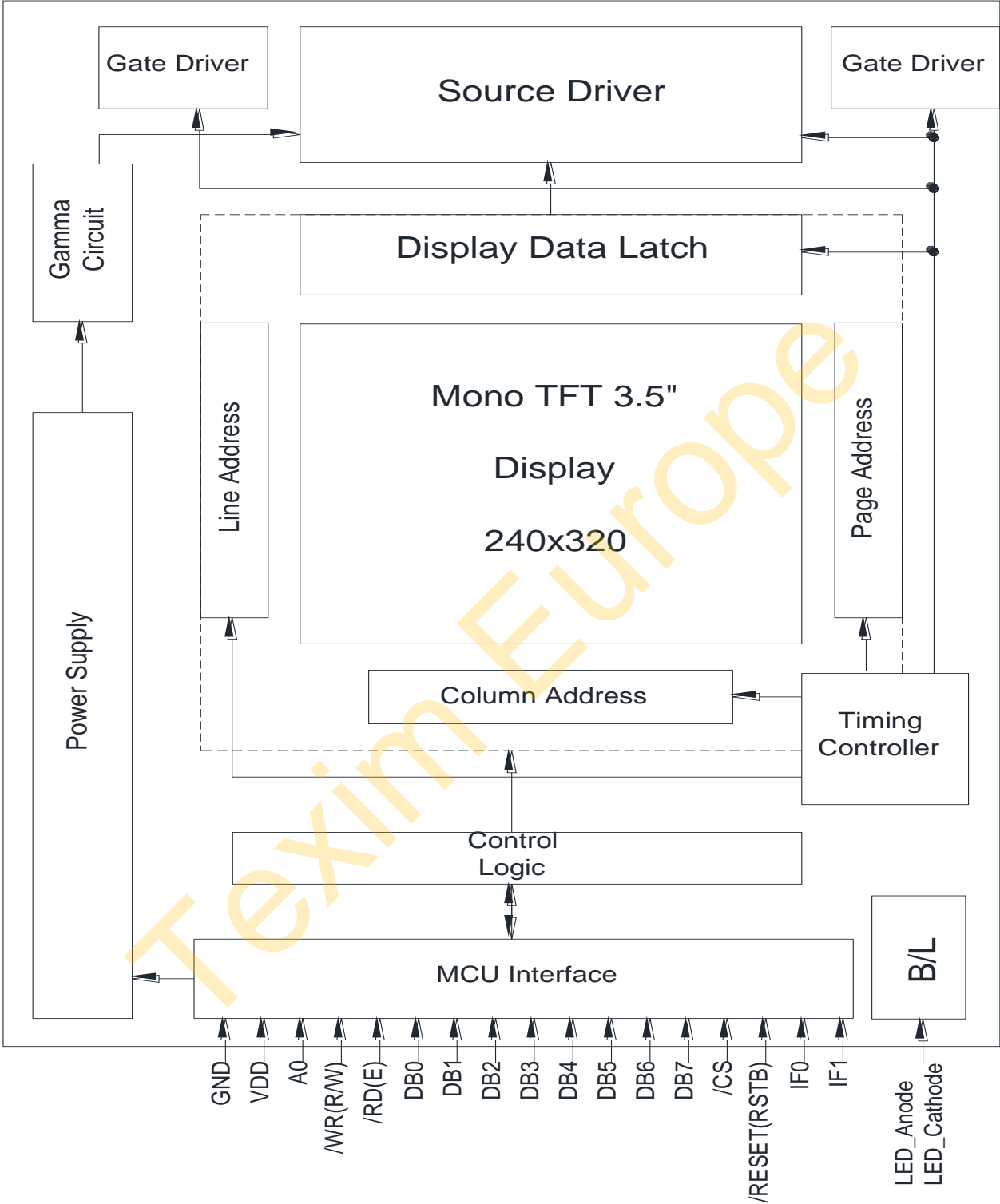
Pin	Symbol	Function	Remark
1	GND	System ground	
2	VDD	Power Supply : +3.3V	
3	NC	No connect	
4	A0	Data/Command select	
5	/WR(R/W)	Write strobe signal	
6	/RD(E)	Read strobe signal	
7	DB0	Data bus	
8	DB1	Data bus	
9	DB2	Data bus	
10	DB3	Data bus	
11	DB4	Data bus	
12	DB5	Data bus	
13	DB6	Data bus	
14	DB7	Data bus	
15	/CS	Chip select	
16	/RESET(RSTB)	Hardware reset	
17	IF0	Mode select	Note1
18	IF1		
19	A	LED +	
20	K	LED -	
21	NC	No connect	
22	NC	No connect	

Note1:

Setting		MCU Type	Interface Pin Function				
IF1	IF0		CSB	A0	RWR	ERD	D[7:0]
L	L	Parallel 8080 series MCU	CSB	A0	/WR	/RD	D[7:0]
L	H	Parallel 6800 series MCU			R/W	E	D[7:0]
H	H	Serial 4-Line series MCU		-	-	D7=SCL, D0=SDA, D[6:1] are not used	
H	L	Serial 3-Line series MCU		-	-		

The un-used pins are marked as “-” and should be connected to “H” by VDDI.

10. Block Diagram



11. Reliability

Content of Reliability Test (Super Wide temperature, -30°C~80°C)

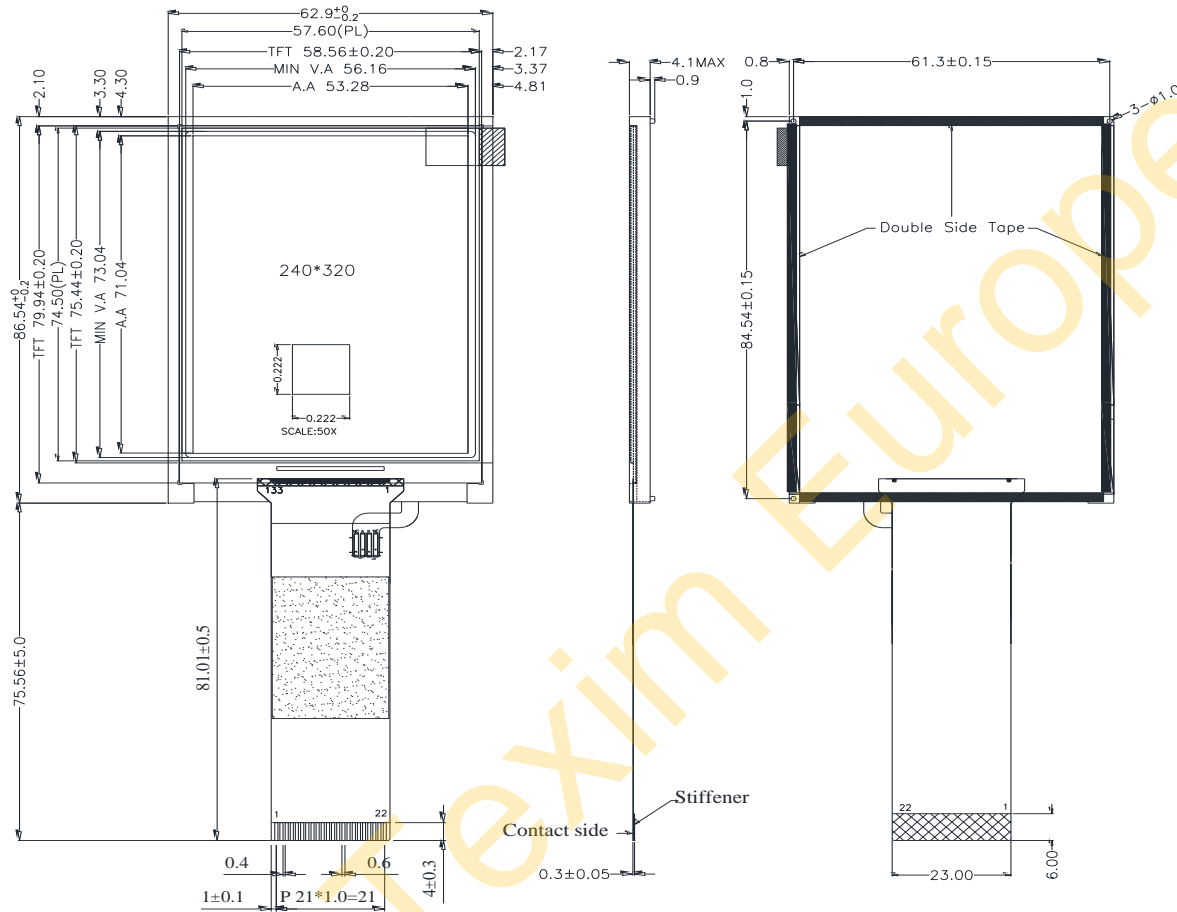
Environmental Test			
Test Item	Content of Test	Test Condition	Note
High Temperature storage	Endurance test applying the high storage temperature for a long time.	80°C 200hrs	2
Low Temperature storage	Endurance test applying the low storage temperature for a long time.	-30°C 200hrs	1,2
High Temperature Operation	Endurance test applying the electric stress (Voltage & Current) and the thermal stress to the element for a long time.	80°C 200hrs	—
Low Temperature Operation	Endurance test applying the electric stress under low temperature for a long time.	-30°C 200hrs	1
High Temperature/ Humidity storage	The module should be allowed to stand at 60 °C,90%RH max	60°C,90%RH 96hrs	1,2
Thermal shock resistance	The sample should be allowed stand the following 10 cycles of operation <div style="text-align: center;"> <p style="text-align: center;">-30°C 25°C 80°C</p> <p style="text-align: center;">←—————→</p> <p style="text-align: center;">30min 5min 30min</p> <p style="text-align: center;">1 cycle</p> </div>	-30°C/80°C 10 cycles	—
Vibration test	Endurance test applying the vibration during transportation and using.	Total fixed amplitude : 15mm Vibration Frequency : 10~55Hz One cycle 60 seconds to 3 directions of X,Y,Z for Each 15 minutes	3
Static electricity test	Endurance test applying the electric stress to the terminal.	VS=±600V(contact), ±800v(air), RS=330Ω CS=150pF 10 times	—

Note1: No dew condensation to be observed.

Note2: The function test shall be conducted after 4 hours storage at the normal Temperature and humidity after remove from the test chamber.

Note3: The packing have to including into the vibration testing.

12. Contour Drawing



PIN	Function
1	GND
2	VDD
3	NC
4	AO
5	/WR(/RW)
6	/RD(E)
7	DB0
8	DB1
9	DB2
10	DB3
11	DB4
12	DB5
13	DB6
14	DB7
15	/CS
16	/Reset
17	IFO
18	IF1
19	A
20	K
21	NC
22	NC

The non-specified tolerance of dimension is $\pm 0.3\text{mm}$.

13.Initial Code For Reference

```
void Initial_code()
{
    Write_Command(0xae);
    Write_Data(0xa5);

    Write_Command(0x61);
    Write_Data(0x8f);
    Write_Data(0x04);
    Write_Data(0xa5);
    Write_Data(0xa5);

    Write_Command(0x62);
    Write_Data(0x42);
    Write_Data(0x0b);
    Write_Data(0x0c);
    Write_Data(0xa5);

    Write_Command(0x33);
    Write_Data(0x07);
    Write_Data(0x2c);
    Write_Data(0x09);
    Write_Data(0x2a);

    Write_Command(0x63);
    Write_Data(0x09);
    Write_Data(0x17);
    Write_Data(0xa5);
    Write_Data(0xa5);

    Write_Command(0x24);
    Write_Data(0x01);
    Write_Data(0xa5);
    Write_Data(0xa5);
    Write_Data(0xa5);

    Write_Command(0x22);
    Write_Data(0x00);
    Write_Data(0xa5);
    Write_Data(0xa5);
    Write_Data(0xa5);

    Write_Command(0x91);
    Write_Data(0x00);
    Write_Data(0x17);
    Write_Data(0x1b);
    Write_Data(0x1d);
}
```

Write_Command(0x92);
Write_Data(0x1f);
Write_Data(0x21);
Write_Data(0x23);
Write_Data(0x25);

Write_Command(0x93);
Write_Data(0x27);
Write_Data(0x29);
Write_Data(0x2a);
Write_Data(0x2c);

Write_Command(0x94);
Write_Data(0x2e);
Write_Data(0x31);
Write_Data(0x34);
Write_Data(0x3f);

Write_Command(0x99);
Write_Data(0x00);
Write_Data(0x17);
Write_Data(0x1b);
Write_Data(0x1d);

Write_Command(0x9a);
Write_Data(0x1f);
Write_Data(0x21);
Write_Data(0x23);
Write_Data(0x25);

Write_Command(0x9b);
Write_Data(0x27);
Write_Data(0x29);
Write_Data(0x2a);
Write_Data(0x2c);

Write_Command(0x9c);
Write_Data(0x2e);
Write_Data(0x31);
Write_Data(0x34);
Write_Data(0x3f);

Write_Command(0x12);
Write_Data(0xa5);

Write_Command(0x15);
Write_Data(0xa5);

}



LCM Sample Estimate Feedback Sheet

Module Number : _____

Page: 1

1、Panel Specification :

- 1. Panel Type : Pass NG , _____
- 2. View Direction : Pass NG , _____
- 3. Numbers of Dots : Pass NG , _____
- 4. View Area : Pass NG , _____
- 5. Active Area : Pass NG , _____
- 6. Operating Temperature : Pass NG , _____
- 7. Storage Temperature : Pass NG , _____
- 8. Others : _____

2、Mechanical Specification :

- 1. PCB Size : Pass NG , _____
- 2. Frame Size : Pass NG , _____
- 3. Material of Frame : Pass NG , _____
- 4. Connector Position : Pass NG , _____
- 5. Fix Hole Position : Pass NG , _____
- 6. Backlight Position : Pass NG , _____
- 7. Thickness of PCB : Pass NG , _____
- 8. Height of Frame to PCB : Pass NG , _____
- 9. Height of Module : Pass NG , _____
- 10. Others : Pass NG , _____

3、Relative Hole Size :

- 1. Pitch of Connector : Pass NG , _____
- 2. Hole size of Connector : Pass NG , _____
- 3. Mounting Hole size : Pass NG , _____
- 4. Mounting Hole Type : Pass NG , _____
- 5. Others : Pass NG , _____

4、Backlight Specification :

- 1. B/L Type : Pass NG , _____
- 2. B/L Color : Pass NG , _____
- 3. B/L Driving Voltage (Reference for LED Type) : Pass NG , _____
- 4. B/L Driving Current : Pass NG , _____
- 5. Brightness of B/L : Pass NG , _____
- 6. B/L Solder Method : Pass NG , _____
- 7. Others : Pass NG , _____

>> Go to page 2 <<



winstar

Module Number : _____

Page: 2

5、Electronic Characteristics of Module :

- | | | |
|------------------------------|-------------------------------|-------------------------------------|
| 1. Input Voltage : | <input type="checkbox"/> Pass | <input type="checkbox"/> NG , _____ |
| 2. Supply Current : | <input type="checkbox"/> Pass | <input type="checkbox"/> NG , _____ |
| 3. Driving Voltage for LCD : | <input type="checkbox"/> Pass | <input type="checkbox"/> NG , _____ |
| 4. Contrast for LCD : | <input type="checkbox"/> Pass | <input type="checkbox"/> NG , _____ |
| 5. B/L Driving Method : | <input type="checkbox"/> Pass | <input type="checkbox"/> NG , _____ |
| 6. Negative Voltage Output : | <input type="checkbox"/> Pass | <input type="checkbox"/> NG , _____ |
| 7. Interface Function : | <input type="checkbox"/> Pass | <input type="checkbox"/> NG , _____ |
| 8. LCD Uniformity : | <input type="checkbox"/> Pass | <input type="checkbox"/> NG , _____ |
| 9. ESD test : | <input type="checkbox"/> Pass | <input type="checkbox"/> NG , _____ |
| 10. Others : | <input type="checkbox"/> Pass | <input type="checkbox"/> NG , _____ |

6、Summary :

Sales signature : _____

Customer Signature : _____

Date : / /

