

Distributed by:



www.texim-europe.com

Datasheet

mSATA 3IE3 series

- SATA 6.0 Gb/s interface
- Exclusive iSLC FW architecture
- iSMART disk health monitoring
- Intelligent error recovery system
- Excellent data transfer speed
- Zero mechanical interference
- Anti-vibration mechanical design
- JEDEC standard MO-300 dimension



Introduction

Innodisk mSATA 3IE3 is designed with mSATA form factor by MO-300/MO-300B which established by JEDEC, and support SATA III standard (6.0 Gb/s) with excellent performance. Regarding of mechanical interference, Innodisk mSATA 3IE3 absolutely replaces the traditional hard disk and makes personal computer, in any field, smaller and easier.

Innodisk mSATA 3IE3 effectively reduces the booting time of operation system and the power consumption is less than hard disk drive (HDD), and complies with ATA protocol, no additional drives are required, and can be configured as a boot device or data storage device.

innodisk

www.Innodisk.com

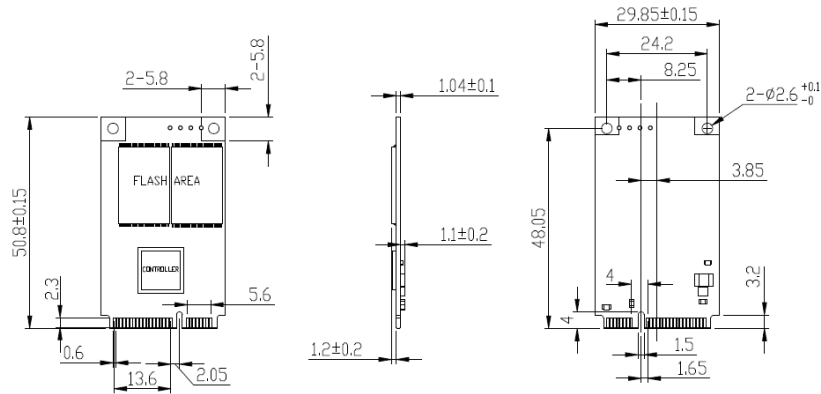
www.texim-europe.com

mSATA 3IE3 series

Contact us for more information about the mSATA 3IE3.

Innodisk is a service-driven provider of industrial embedded flash storage products and technologies, with a focus on the cloud computing, industrial/embedded, and aerospace and defense industries.

Diagram



Specifications

Headquarters (Taiwan)

5F., No. 237, Sec. 1, Datong Rd., Xizhi Dist., New Taipei City 221, Taiwan (R.O.C.)
Tel: +886-2-77033000
Email: sales@Innodisk.com

Branch Offices:

USA
usasales@Innodisk.com
+1-510-770-9421
Europe
eusales@Innodisk.com
+31-(0)40-282-1818
Japan
jpsales@Innodisk.com
+81-3-6667-0161
China
sales_cn@Innodisk.com
+86-755-21673689
www.Innodisk.com

© 2016 Innodisk Corporation.
All right reserved. Specifications are subject to change without prior notice.

20160414

Interface	SATA III
Flash Type	iSLC
Capacity	8GB~256GB
Max. Channels	4
Sequential R/W (MB/sec, max.)	440/230
Max. Power Consumption	2.5 W (3.3V x 765 mA)
Thermal Sensor	ST- Optional
TRIM	√
External DRAM buffer	-
H/W Write Protect	Optional
ATA Security	√
S.M.A.R.T.	√
Dimension (WxLxH)	29.8 X 50.8 X 3.3 mm
Environment	Vibration: 20G @7~2000Hz Shock: 1500G @ 0.5ms Storage Temperature: -55°C ~ +95°C MTBF: 3 million hours

Ordering Information

Operation Temp.	08GB	16GB	32GB	64GB	128GB	256GB
Standard Grade (0°C ~ +70°C)	DHMSR-08GD09BC1SC	DHMSR-16GD09BC1DC	DHMSR-32GD09BC1DC	DHMSR-64GD09BC1DC	DHMSR-A28D08BCAQC	DHMSR-B56D08BCAQC
Industrial Grade (-40°C ~ +85°C)	DHMSR-08GD09BW1SC	DHMSR-16GD09BW1DC	DHMSR-32GD09BW1DC	DHMSR-64GD09BW1DC	DHMSR-A28D08BWAQC	DHMSR-B56D08BWAQC

innodisk

www.Innodisk.com

www.texim-europe.com

The Netherlands



Elektrostraat 17
NL-7483 PG Haaksbergen

T: +31 (0)53 573 33 33
F: +31 (0)53 573 33 30
E: nl@texim-europe.com

Belgium



Zuiderlaan 14 bus 10
B-1731 Zellik

T: +32 (0)2 462 01 00
F: +32 (0)2 462 01 25
E: belgium@texim-europe.com

UK & Ireland



St. Mary's House, Church Lane
Carlton Le Moorland
Lincoln LN5 9HS

T: +44 (0)1522 789 555
F: +44 (0)845 299 22 26
E: uk@texim-europe.com

Germany North



Bahnhofstrasse 92
D-25451 Quickborn

T: +49 (0)4106 627 07-0
F: +49 (0)4106 627 07-20
E: germany@texim-europe.com

Germany South



Martin-Kollar-Strasse 9
D-81829 München

T: +49 (0)89 436 086-0
F: +49 (0)89 436 086-19
E: germany@texim-europe.com

Austria



Warwitzstrasse 9
A-5020 Salzburg

T: +43 (0)662 216 026
F: +43 (0)662 216 026-66
E: austria@texim-europe.com

Nordic region



Sdr. Jagtvej 12
DK-2970 Hørsholm

T: +45 88 20 26 30
F: +45 88 20 26 39
E: nordic@texim-europe.com

General information



info@texim-europe.com
www.texim-europe.com