

ALCOSWITCH ANTI-VANDAL SWITCH SERIES

The new ALCOSWITCH Anti-Vandal switch series is designed for security and reliability in a variety of panel mount industrial and building applications. The large pushbutton and available LED indicators illuminate the switch and allow for an easy user interface. The Anti-Vandal series is available in panel sizes of 16, 19, and 22 mm, and with various pushbutton symbols including Spot, Ring, and Power Logo. Switches are sealed to IP67 and available in single and double pole configurations.



Applications

- Industrial equipment
- Elevators/Escalators
- Instrumentation
- Communication equipment
- Control equipment

Electrical

- RoHS Directive 2002/95/E compliant
- REACH Compliant and Pb Free
- UL (E46765) for AV19, AV22 series

Mechanical

- Operating temperature: -20-+55° C

Materials

- Contacts: Copper with silver or gold plating
- Actuator: Stainless Steel
- Terminals: Copper, silver plated
- Terminal seal: Silicon
- Case: PBT
- Bushing: Stainless steel

Key Benefits

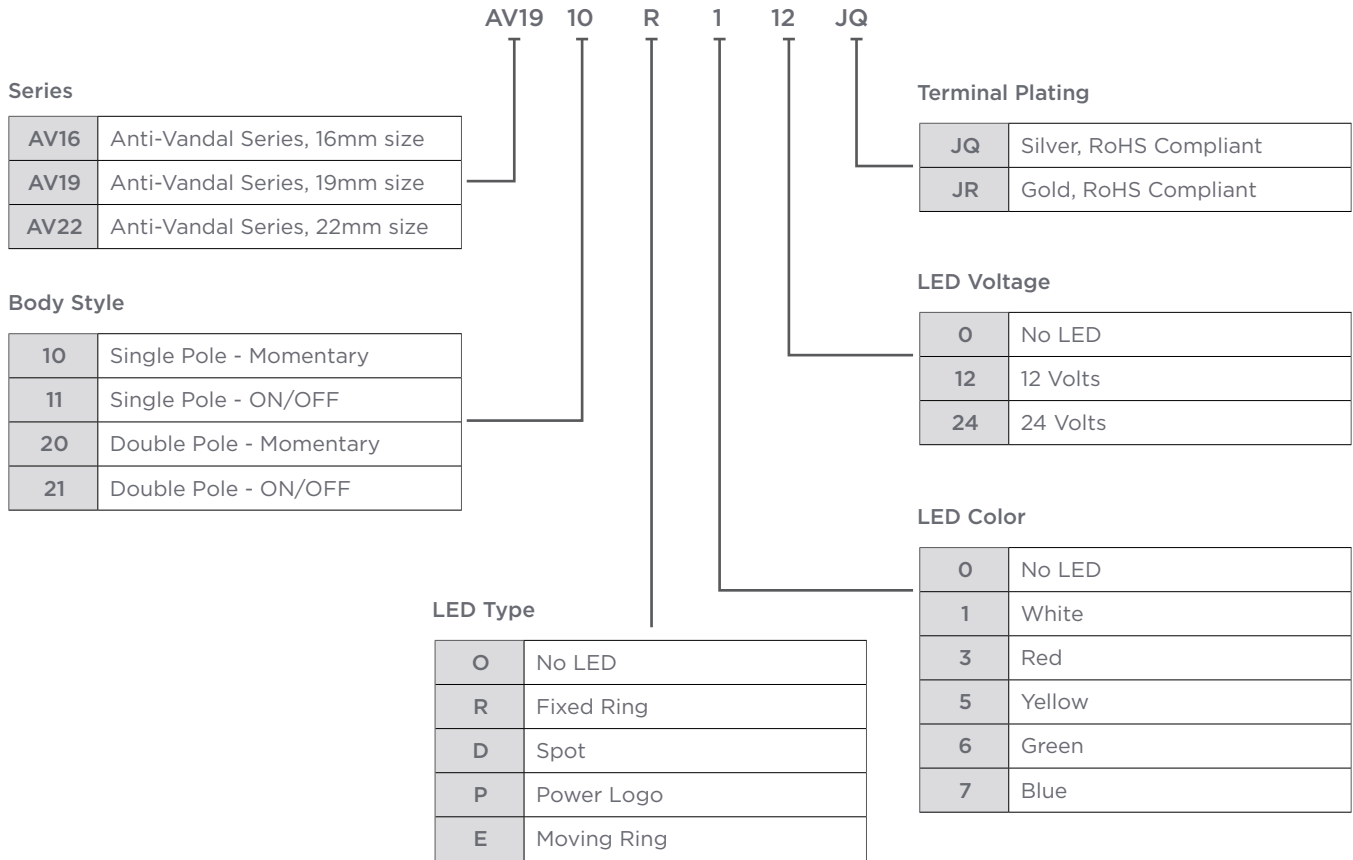
- Allow for an easy user interface with a large pushbutton and available LED indicators illuminate the switch
- Enable flexibility with various pushbutton symbols including Spot, Ring, and Power logo
- Achieve a vandal proof solution with a jam nut accessible for rear of the panel

Typical Performance Characteristics

- **Number of poles:** 1 to 2
- **Switch Functions:** OFF-ON, OFF-(ON)
- **Contact Rating:** 2A @ 36VDC (16mm)
3A @ 250VAC (19, 22mm)
- **Gold Contact:** 0.4 VA @ 20V max
- **Electrical life (pushbutton only):** 16mm: 200,000 cycles
19/22mm: 50,000 cycles
- **Contact resistance:** 50mOhms max. @ 1A, 12VDC (initial value)
- **Insulation resistance:** 1,000 MOhms min. @500VDC
- **Dielectric strength:** 2,000V for 1 minute
- **Actuator force:** 16mm: 4.5 +/- 1.5 N
19/22mm, Single Pole: 2.5 +/- 1.0 N
19/22mm, Double Pole: 3.5 +/- 1.0 N
- **Actuator travel:** 16mm: 2.0 mm
19/22mm: 3.2 mm
- **Life Expectancy:** Momentary: 1,000,000 actuations
Push On/Off: 500,000 actuation



Product Key



Product Selection Information

Product Key	Series	Body Style	LED Type	LED color	LED voltage	Terminal Plating	TE PN
AV1610P112R04	16 mm	Single Pole - Momentary	Power Logo	White	12 Volts	Gold	2213775-1
AV1910000Q04	19 mm	Single Pole - Momentary	-	-	-	Silver	2213763-1
AV1911000Q04	19 mm	Single Pole - ON / OFF	-	-	-	Silver	2213763-3
AV1920000Q04	19 mm	Double Pole - Momentary	-	-	-	Silver	2213763-5
AV1921000Q04	19 mm	Double Pole - ON / OFF	-	-	-	Silver	2213763-7
AV2210000Q04	22 mm	Single Pole - Momentary	-	-	-	Silver	2213771-1
AV2211000Q04	22 mm	Single Pole - ON / OFF	-	-	-	Silver	2213771-3
AV2220000Q04	22 mm	Double Pole - Momentary	-	-	-	Silver	2213771-5
AV2221000Q04	22 mm	Double Pole - ON / OFF	-	-	-	Silver	2213771-7

te.com

© 2016 TE Connectivity Ltd. Family of Companies. All Rights Reserved. ALCOSWITCH, TE, TE Connectivity, and the TE connectivity (logo) are trademarks of the TE Connectivity Ltd. family of companies. Other logos, product and Company names mentioned herein may be trademarks of their respective owners.
1-1773878-3 JN 04/2016

USA: +1 (800) 522-6752
Canada: +1 (905) 475-6222
Mexico: +52 (0) 55-1106-0800
Latin/S. America: +54 (0) 11-4733-2200
Germany: +49 (0) 6251-133-1999

UK: +44 (0) 800-267666
France: +33 (0) 1-3420-8686
The Netherlands: +31 (0) 73-6246-999
China: +86 (0) 400-820-6015

The Netherlands



Elektrostraat 17
NL-7483 PG Haaksbergen

T: +31 (0)53 573 33 33
F: +31 (0)53 573 33 30
E: nl@texim-europe.com

Belgium



Zuiderlaan 14 bus 10
B-1731 Zellik

T: +32 (0)2 462 01 00
F: +32 (0)2 462 01 25
E: belgium@texim-europe.com

UK & Ireland



St. Mary's House, Church Lane
Carlton Le Moorland
Lincoln LN5 9HS

T: +44 (0)1522 789 555
F: +44 (0)845 299 22 26
E: uk@texim-europe.com

Germany North



Bahnhofstrasse 92
D-25451 Quickborn

T: +49 (0)4106 627 07-0
F: +49 (0)4106 627 07-20
E: germany@texim-europe.com

Germany South



Martin-Kollar-Strasse 9
D-81829 München

T: +49 (0)89 436 086-0
F: +49 (0)89 436 086-19
E: germany@texim-europe.com

Austria



Warwitzstrasse 9
A-5020 Salzburg

T: +43 (0)662 216 026
F: +43 (0)662 216 026-66
E: austria@texim-europe.com

Nordic region



Sdr. Jagtvej 12
DK-2970 Hørsholm

T: +45 88 20 26 30
F: +45 88 20 26 39
E: nordic@texim-europe.com

General information



info@texim-europe.com
www.texim-europe.com