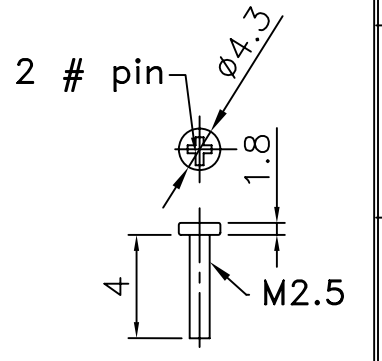
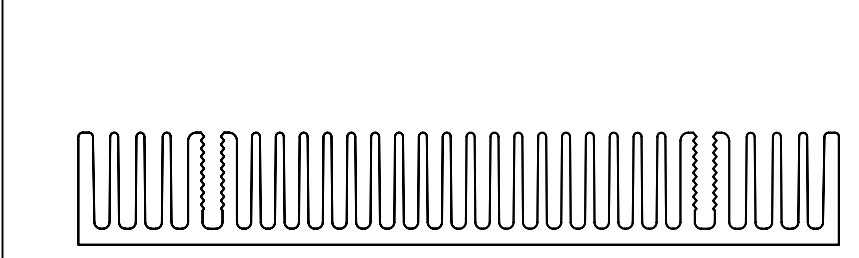
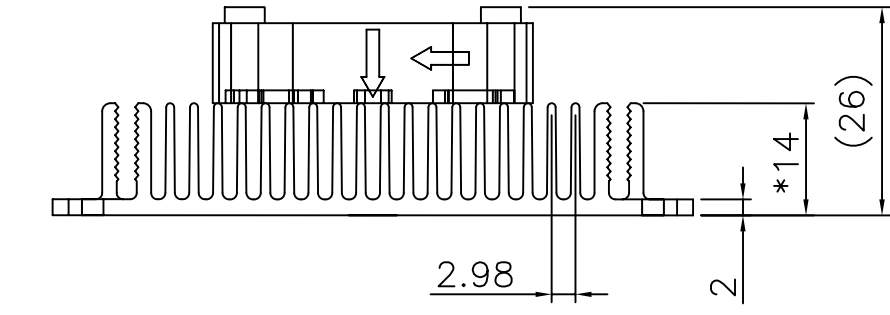
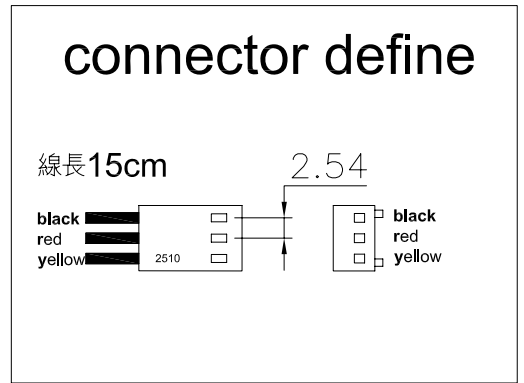
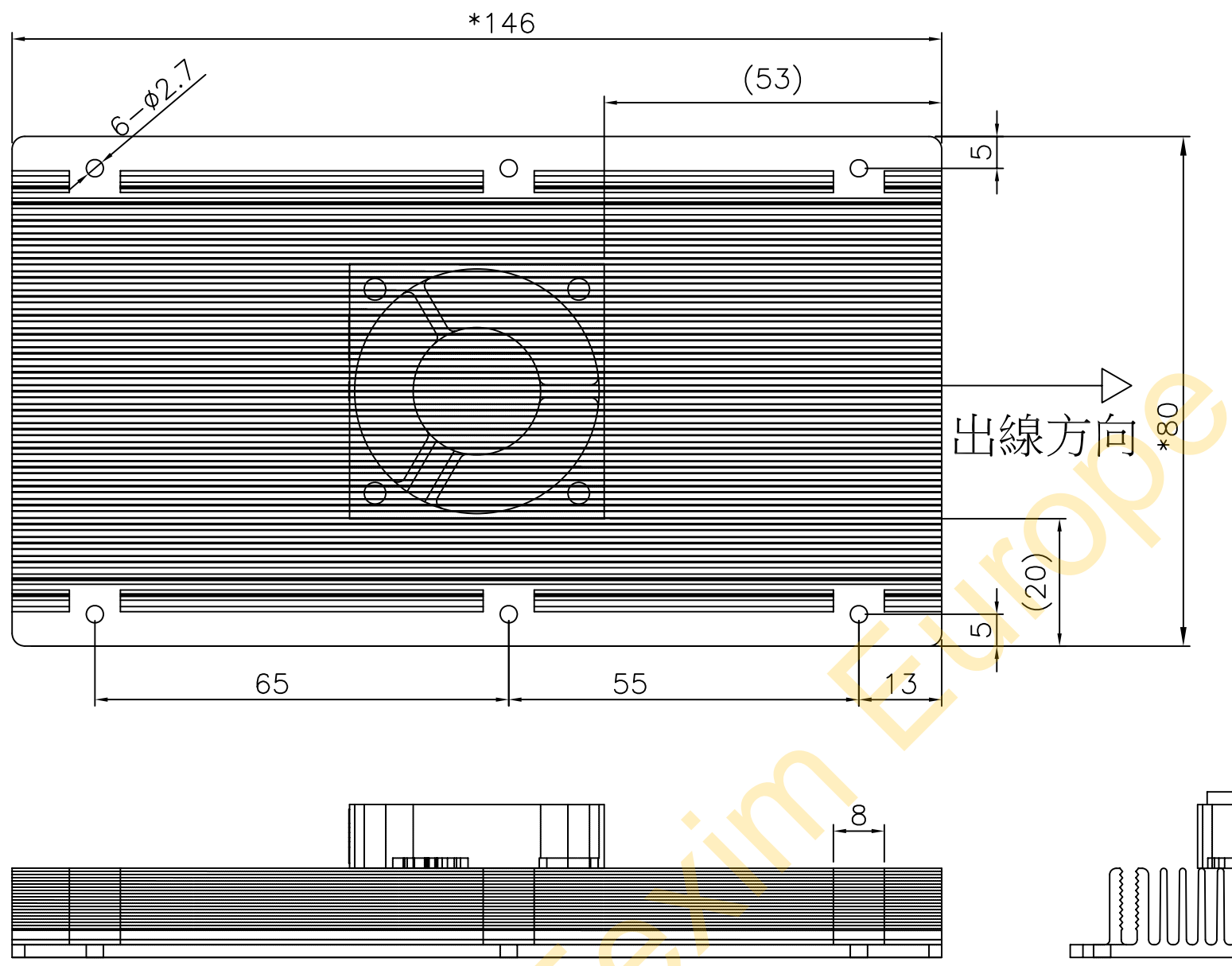


ITEM	DATE	REMARK	DESIGNED	APPROVED
1				
2				
3				



- 量測時請注意:
1. 重點尺寸記號*為必檢測尺寸
 2. 未標示之圓角均為: R2.
 3. 外觀顏色: 陽極原色
 4. 表面不可有油漬殘留, 不可有毛邊殘留, 且不得刮手
 5. 附螺絲 M2.5*4L*6pcs, NI, 圓頭
 6. FAN: "SUNON" MB40101V2-0000-G99
(2510-3P / pitch 2.54mm) 線長: 15CM
鎖附自攻牙螺絲 M2.6*18L(小圓頭)黑



GENERAL TOL. >0 ±0.1 >10 ±0.2 >50 ±0.3 >200 ±0.5 >500 ±0.8	MATERIAL: AL6063	PART No. 17592SKU60		MAEON [®] Technology Inc. An ASUS Company	
	SPEC.: NA	DWG No. 17592SKU60			
ANGLE TOL. ±0.5°	FINISH: 陽極原色	APPROVED	CHECKED	DESIGNED	NAME Active Heatsink
	UNIT: MM	GlenWen 2016/05/20	TERRY HSU 2016/05/20	MODEL No. GENE-SKU6	
	SCALE:			REV. 0.0	SHEET: 1 / 1