

Distributed by:



www.texim-europe.com

Datasheet

2.5" SATA SSD

3MG2-P series

- 2.5" SATA III solution for industrial field
- 7mm height mechanical design
- High IOPS
- Intelligent error recovery system
- iSMART disk health monitoring
- iData Guard for abnormal power failure
- iCell technology for data protection (optional)
- DEVSLP supported



Introduction

Innodisk 2.5" SATA SSD 3MG2-P is SATA III 6Gb/s flash based disk, which delivers excellent performance, especially in random data transfer rate, and which offers reliability making it the ideal solution for a variety of applications, including embedded system, industrial computing, and enterprise field. 3MG2-P 2.5" SSD not only performs unmatched performance, but also designed with Innodisk owned technical knowhow to ensure the data integrity and highest levels of reliability. Additionally, 3MG2-P SATA SSD can support device sleep mode (DEVSLP) and thus be able to benefit in extreme low power consumption.

innodisk

www.innodisk.com

www.texim-europe.com

2.5" SATA SSD

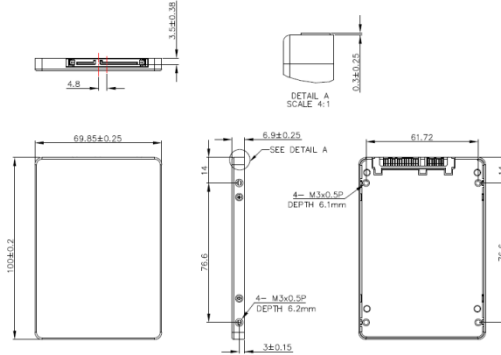
3MG2-P series

Drawing

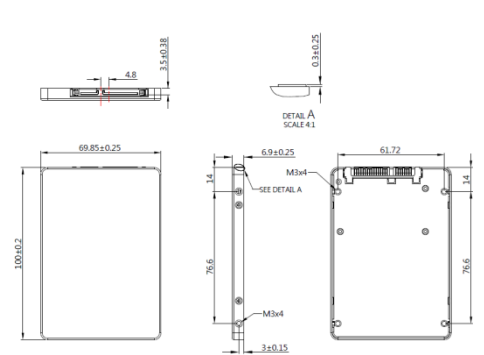
Contact us for more information about the 2.5" SATA SSD 3MG2-P

Innodisk is a service-driven provider of industrial embedded flash and DRAM storage products and technologies, with a focus on the industrial/embedded, aerospace and defense, and cloud computing industries.

* DGS25-XXXD81SX1XC



* DGS25-XXXD81SX3XC



Specifications

Interface	SATA III
Flash Type	MLC
Capacity	8GB~2TB
Max. Channels	4
Sequential R/W (MB/sec, max.)*	520 / 480 MB/s
4KB Random (QD32) R/W (IOPS)*	70,000/64,000
Max. Power Consumption	6 W (5V x 1.2A)
Thermal Sensor	√
External DRAM Buffer	√
H/W Write Protect	-
ATA Security	√
S.M.A.R.T.	√
DEVSLP Mode	√ (min. power consumption 3mW)
Slumber Mode	√ (min. power consumption 30mW)
Dimension (WxLxH)	70.0 X 100.0 X 6.8 mm
Environment	Vibration: 20G @7~2000Hz Shock: 1500G @ 0.5ms Storage Temperature: -55°C ~ +95°C MTBF: 3 million hours
* Sequential performance based on CrystalDiskMark 3.03 with file size 1000MB	

Headquarters (Taiwan)

5F., No.237, Sec. 1, Datong Rd.,
Xizhi Dist., New Taipei City,
Taiwan (R.O.C.)
Tel: +886-2-77033000
Email: sales@innodisk.com

Branch Offices:

USA
usasales@innodisk.com
+1-510-770-9421
Europe
eusales@innodisk.com
+31-(0)40-282-1818
Japan
jpsales@innodisk.com
+81-3-6667-0161
China
sales_cn@innodisk.com
+86-755-21673689
www.innodisk.com

© 2015 Innodisk Corporation.
All right reserved. Specifications
are subject to change without
prior notice.

Ordering Information (Please refer to TPS for detail)

20151209

Operation Temp.	8GB	16GB	32GB	64GB	128GB	256GB	512GB	1TB	2TB
Standard Grade (0°C ~ +70°C)	DGS25-08GD81*C3SC DGS25-08GD81*C15C(P)	DGS25-16GD81*C3DC DGS25-16GD81*C1DC(P)	DGS25-32GD81*C3QC DGS25-32GD81*C1C(P) DGS25-32GD81*CADN(P)	DGS25-64GD81*C1QC(P) DGS25-64GD81*CAQN(P)	DGS25-A28D81*C1QC(P) DGS25-A28D81*CAQN(P)	DGS25-B56D81*C1QC(P) DGS25-B56D81*CAQN(P)	DGS25-C12D81*C1QC(P) DGS25-C12D81*CAQN(P)	DGS25-01TD81*CAQC(P) DGS25-01TD81*CAQN(P)	DGS25-02TD81*CAQC DGS25-02TD81*CAQN
Industrial Grade (-40°C ~ +85°C)	DGS25-08GD81*W3SC DGS25-08GD81*W15C(P)	DGS25-16GD81*W3DC DGS25-16GD81*W1DC(P)	DGS25-32GD81*W3QC DGS25-32GD81*W1C(P) DGS25-32GD81*WADN(P)	DGS25-64GD81*W1QC(P) DGS25-64GD81*W1QAQN(P)	DGS25-A28D81*W1QC(P) DGS25-A28D81*W1QAQN(P)	DGS25-B56D81*W1QC(P) DGS25-B56D81*W1QAQN(P)	DGS25-C12D81*W1QC(P) DGS25-C12D81*W1QAQN(P)	DGS25-01TD81*W1QAQC(P) DGS25-01TD81*W1QAQN(P)	DGS25-02TD81*W1QAQC DGS25-02TD81*W1QAQN

Note: C stands for Toshiba flash/N stands for Micron flash, P is optional for icell
*S: Toshiba A19nm MLC and Micron 16nm MLC/ B: Toshiba 15nm

innodisk

www.innodisk.com

www.texim-europe.com

The Netherlands



Elektrostraat 17
NL-7483 PG Haaksbergen

T: +31 (0)53 573 33 33
F: +31 (0)53 573 33 30
E: nl@texim-europe.com

Belgium



Zuiderlaan 14 bus 10
B-1731 Zellik

T: +32 (0)2 462 01 00
F: +32 (0)2 462 01 25
E: belgium@texim-europe.com

UK & Ireland



St. Mary's House, Church Lane
Carlton Le Moorland
Lincoln LN5 9HS

T: +44 (0)1522 789 555
F: +44 (0)845 299 22 26
E: uk@texim-europe.com

Germany North



Bahnhofstrasse 92
D-25451 Quickborn

T: +49 (0)4106 627 07-0
F: +49 (0)4106 627 07-20
E: germany@texim-europe.com

Germany South



Martin-Kollar-Strasse 9
D-81829 München

T: +49 (0)89 436 086-0
F: +49 (0)89 436 086-19
E: germany@texim-europe.com

Austria



Warwitzstrasse 9
A-5020 Salzburg

T: +43 (0)662 216 026
F: +43 (0)662 216 026-66
E: austria@texim-europe.com

Nordic region



Sdr. Jagtvej 12
DK-2970 Hørsholm

T: +45 88 20 26 30
F: +45 88 20 26 39
E: nordic@texim-europe.com

General information



info@texim-europe.com
www.texim-europe.com