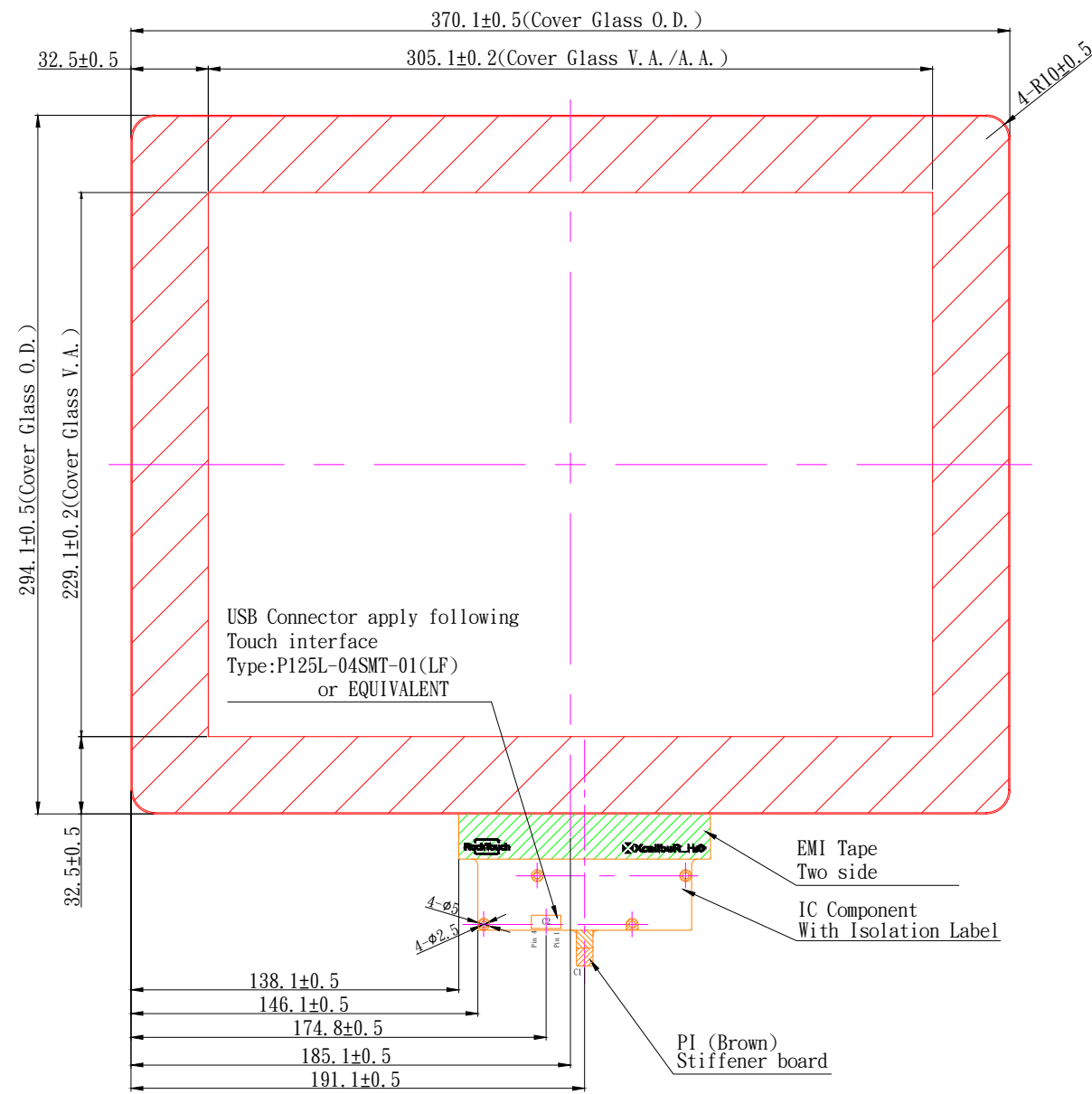
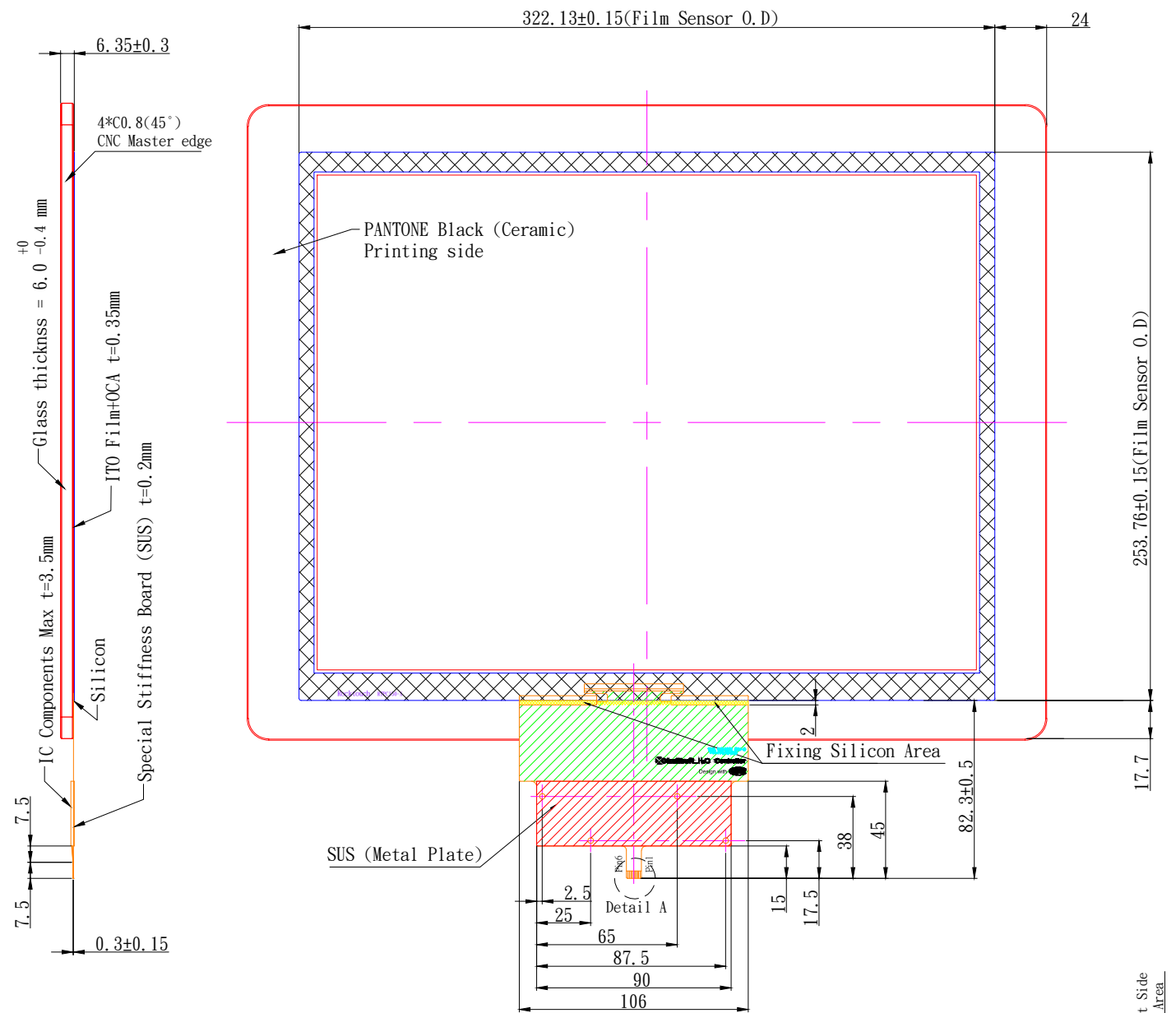


Front VIEW



Back VIEW



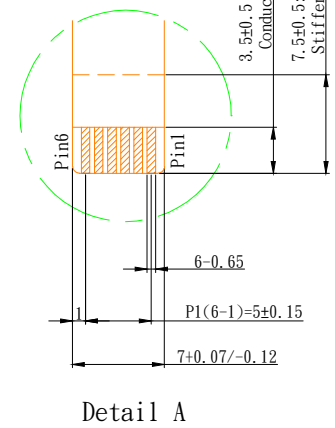
Printing Info :

Background Printing Type : PMMA CERAMIC 700°C Background Color : Pantone Black
 Logo Printing Type : PMMA CERAMIC 700°C Logo Color :

Note:

- To choose the interface just add at the end of the part number the following : - U for USB - I for I2C
- Tolerance: +-0.3mm
- Finger input only or special conductive pen
- Surface Hardness: 7H (Fully-Tempered Glass)
- Transmittance: >85% (JIS-K7105)
- Surface Treatment: None
- Distance between LCD and touch panel need to be minimum 1.0mm otherwise touch maybe will not work correctly
- If customer put a front cover all around need use at least 2mm thick gasket between touch and metal frame
- USB max ripple acceptable is 50mV, in other case touch will not work correctly
- Referring to the integration guide to avoid any integration noise issue

C1:USB (OPTIONAL)		C1:I2C (OPTIONAL)		C2:Pin Define for USB 4 pin	
Pin 01	GND	Pin 01	GND	Pin 01	GND
Pin 02	D-	Pin 02	SDA	Pin 02	D-
Pin 03	D+	Pin 03	SCL	Pin 03	D+
Pin 04	VDD	Pin 04	VDD	Pin 04	VDD
Pin 05	NC	Pin 05	INT		
Pin 06	RST	Pin 06	RST		



Customer Approval		Part Number		RTPC150-H60BC1	
Date	Rev. Date	Person	Description		
Company	01	Kevin	Correct Interface Information		
Name					
Signature	Date	Design By	Date	Check By	Approved By
	First Drawing	20160530	Nora		

