

Unit: mm

Specifications

Processor	DM&P SoC Vortex86DX3- 1GHz Real Time Clock with Lithium Battery Backup
Cache	L1:32K I-Cache, 32K D-Cache, L2: 512KB Cache
VGA	Integrated 2D VGA chipset with Dual display Support (VGA + LVDS) Share 16MB to 256MB system memory 18/24-bit Single channel LVDS 24-bit Dual channel LVDS (Optional) VGA: Maximum resolution up to 1920x1080 LVDS(Single): Maximum resolution up to 1024x768 LVDS(Dual): Maximum resolution up to 1920x1080
System Memory	1/2GB DDR3 Onboard
BIOS	AMI BIOS
Expansion Bus	PCI, ISA and I ² C
Watchdog Timer	Software programmable from 30.5 μ sec.to 512 sec. x 2 sets (Watchdog 1 fully compatible with M6117D)
LAN	Realtek 8111F 10/100/1000Mbps Ethernet (Default 10/100 mode)
Audio	ALC262 (HD Audio)
Flash Disk Support	Onboard 8MB SPI Flash Disk
I/O Interface	SATA x1 Enhanced IDE (UltraDMA-100/66/33) x1 (Optional) Serial port x2 USB (Ver2.0) x4 Parallel port x1
Connectors	SATA 7-pin for SATA x1 1.25mm 10-pin box header for GbE x1
Power Requirement	Single Voltage +5V @ (TBD)
Dimensions (L x W)	114 X 95mm (4.5" x 3.7")
Weight	60g
Operating Temperature	-20°C ~ +70°C -40°C ~ +85°C (Optional)
Operating System Support	DOS, CE6.0, CE7.0, Windows XP Professional, Windows Embedded Standard (XPE), POS Ready (WePOS), Embedded Linux, X-Linux, Linux, QNX(BSP), Vxworks(BSP) and FreeBSD

Features

- Vortex86DX3 System-on-Chip
- Fanless Design
- Low Power Consumption
- 1GB DDR3 Onboard
- Extended Operating Temperature: -40°C ~ 85°C (Optional)

Packing List

- VDX3-ETX x1

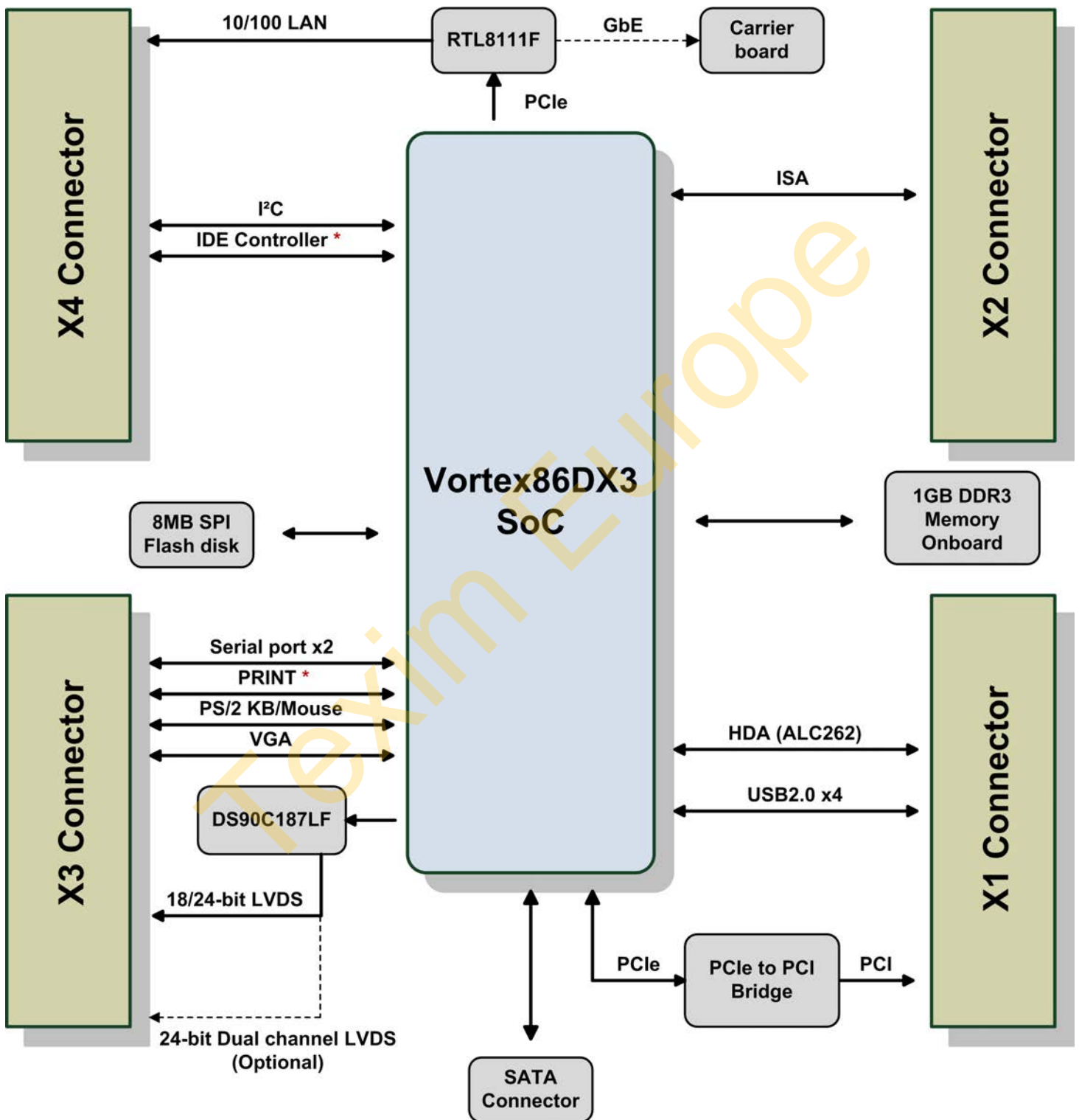
Ordering Information

- **VDX3-ETX-SL1** Vortex86DX3 ETX CPU Module with 1GB DDR3 /LAN/LVDS/LPT
- **VDX3-ETX-SI1** Vortex86DX3 ETX CPU Module with 1GB DDR3 /LAN/LVDS/IDE
- **Heatsink-ETX-D3T** Passive Heat Sink set for VDX3-ETX
- **Heatspreader-ETX-D3T** Heat Spreader set for VDX3-ETX

Distributed by:



Block Diagram



The Netherlands



Elektrostraat 17
NL-7483 PG Haaksbergen

T: +31 (0)53 573 33 33
F: +31 (0)53 573 33 30
E: nl@texim-europe.com

Belgium



Zuiderlaan 14 bus 10
B-1731 Zellik

T: +32 (0)2 462 01 00
F: +32 (0)2 462 01 25
E: belgium@texim-europe.com

UK & Ireland



St. Mary's House, Church Lane
Carlton Le Moorland
Lincoln LN5 9HS

T: +44 (0)1522 789 555
F: +44 (0)845 299 22 26
E: uk@texim-europe.com

Germany North



Bahnhofstrasse 92
D-25451 Quickborn

T: +49 (0)4106 627 07-0
F: +49 (0)4106 627 07-20
E: germany@texim-europe.com

Germany South



Martin-Kollar-Strasse 9
D-81829 München

T: +49 (0)89 436 086-0
F: +49 (0)89 436 086-19
E: germany@texim-europe.com

Austria



Warwitzstrasse 9
A-5020 Salzburg

T: +43 (0)662 216 026
F: +43 (0)662 216 026-66
E: austria@texim-europe.com

Nordic region



Sdr. Jagtvej 12
DK-2970 Hørsholm

T: +45 88 20 26 30
F: +45 88 20 26 39
E: nordic@texim-europe.com

General information



info@texim-europe.com
www.texim-europe.com