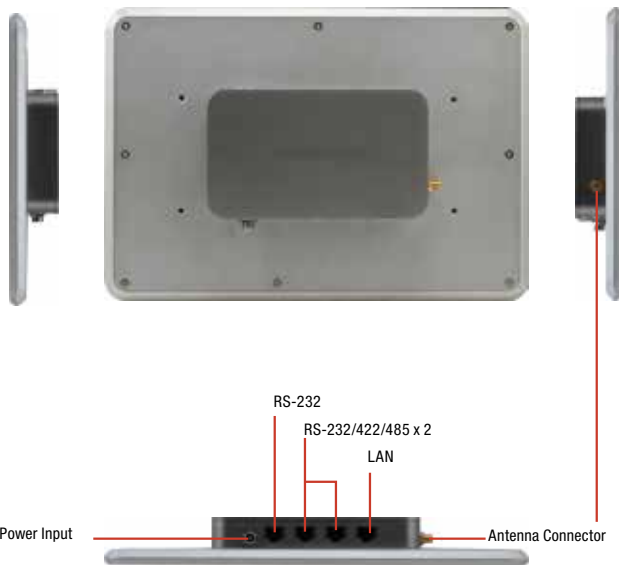
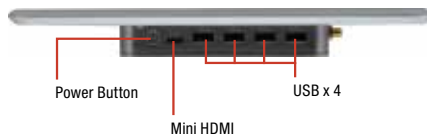


10.1" Ultra-Slim Fanless Multi-Touch Panel PC with Intel® Atom™ N2600, 2 GB RAM



Features

- 10.1" WXGA (1280 x 800) Color TFT LCD Display
- Intel® Atom™ N2600 Processor
- Wide Flat-screen with P-CAP Multi-touch (2-point)
- 7H Anti-Scratch Surface
- Thickness: 13mm LCD + Touch, and 20mm Chassis
- Aluminum Design
- IP65 Compliant
- Fanless Operation
- VESA 75/Panel Mount/ Stand Support



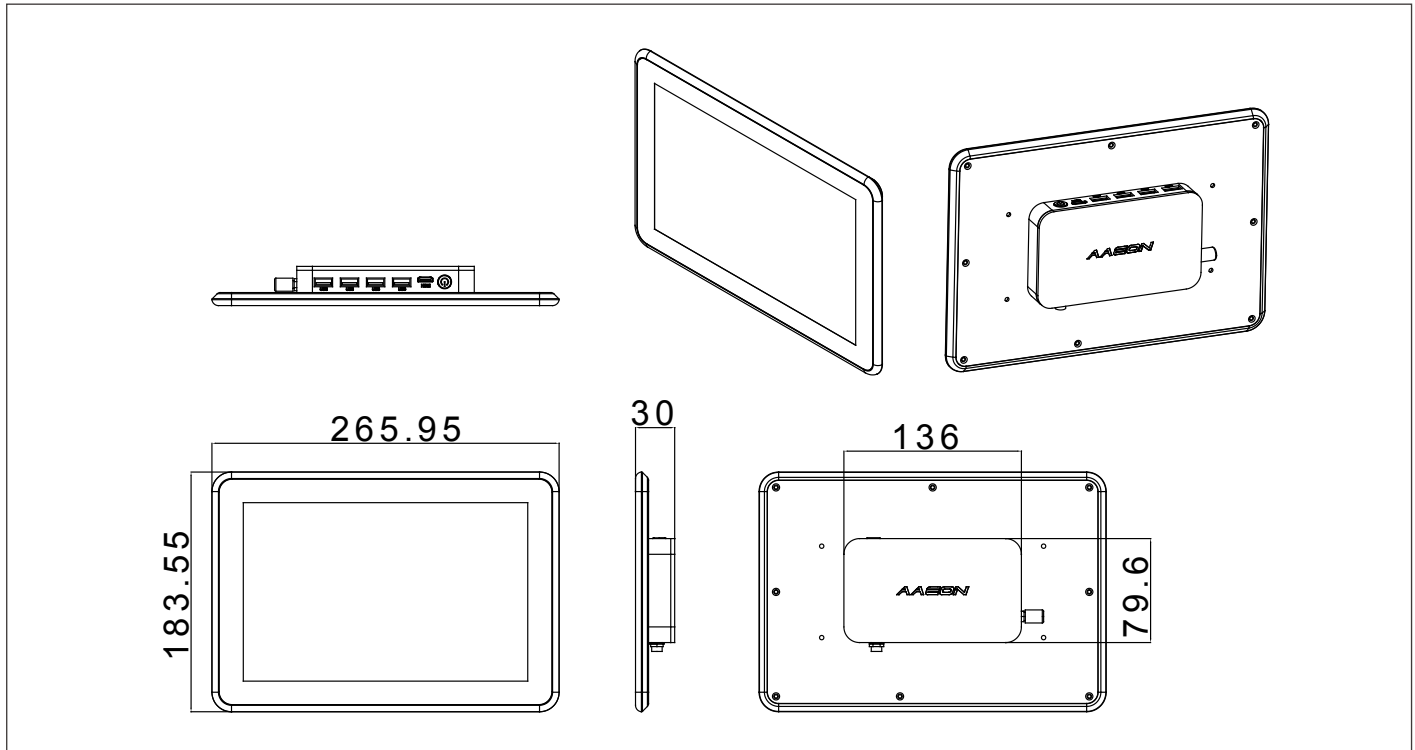
Specifications

System	
Processor	Intel® Atom™ N2600 1.6 GHz processor
System Memory	204-pin DDR3 SODIMM up to 2 GB, default 2 GB
LCD/CRT controller	Integrated in Intel® NM10 chipset
Ethernet	10/100/1000Base-TX, RJ-45 x 1
I/O Port	RJ-48 type RS-232/422/485 x 2 RJ-48 type RS-232 x 1, USB 2.0 x 4, Mini HDMI x 1, RJ-45 type LAN x 1, Lockable power input connector, power switch x 1
Storage Disk Drive	Half size mSATA storage (Installation by AAEON recommended)
Expansion Slot	WiFi (by module)
OS support	Windows® XP 32-bit, Windows® 7 32-bit, Linux kernel 2.6.3 or higher
Mechanical	
Construction	IP65/NEMA 4 Aluminum front bezel, aluminum back chassis
Mounting	VESA 75/ Panel mount/ Stand
Dimension	10.47" x 7.22" x 1.81" (266mm x 183.5mm x 30mm)
Carton Dimension	13.58" x 7.87" x 9.65" (345mm x 200mm x 245mm)
Gross Weight	5.5 lb (2.5 kg)
Environmental	
Operating Temperature	32°F ~ 113°F (0°C ~ 45°C) without airflow 32°F ~ 122°F (0°C ~ 50°C) with airflow
Storage Temperature	-4°F ~ 158°F (-20°C ~ 70°C)
Storage Humidity	95% @40°C, non-condensing
Vibration	1 Grms/ 5 ~ 500Hz/ operation – with HDD
Shock	15 G peak acceleration (11 msec. duration) – with HDD
EMC	CE/FCC class A
Power Supply	
DC Input	DC 12V, with lockable power adapter
LCD	
Display Type	10.1" TFT-LCD, LED
Max. Resolution	1280 x 800
Max. Colors	262K
Luminance	250 cd/m ²
Viewing Angle	160°(H), 160°(V)
Back Light	LED
Back Light MTBF (hours)	20,000
Touchscreen	
Type	Projected capacitive multi-touch (2-point)
Light Transmission	>86%

ACP-1103

Dimension

Unit: mm



Ordering Information

Part Number	Display Type	Max. Resolution	Luminance	Backlight MTBF	CPU	LAN	USB 2.0	RS-232	RS-232/422/485	Storage	RAM	Display	Expansion	Mounting	Power	Temp.	Touch
ACP-1103HTT-A1-1012	10.1" TFT-LCD	1280 x 800	250 cd/m ²	20,000	Intel® Atom™ N2600, 1.6 GHz	1	4	1	2	Half size mSATA HDD	2 GB	Mini HDMI x 1	—	VESA 75/Stand	DC 12V	0°C ~ 45°C (w/o airflow)	Projected capacitive touch (2-point)

Packing List

- 1255300607
Power Adapter, DC12V, 60W
- 1700090156 x 3
RJ-45 to COM Cable
- VESA Mount Kit
- Panel Mount Kit
- VESA Screws
- Product DVD
- ACP-1103

Optional Accessories

- 1702031802
Power Cord (US Type)
- 1702031803
Power Cord (European Type)
- M041073020
Stand Kit

Half Size mSATA Storage Device:

- 968C008G1B
(TF)Half-sized, 8 GB, mSATA SSD, MLC, -40°C ~ +85°C
 - 968C016G4Q
(TF)Half-sized, 16 GB, mSATA SSD, MLC, -40°C ~ +85°C
 - 968C016G1U
(TF)Half-sized, 16 GB, mSATA SSD, MLC, -40°C ~ +85°C
 - 968C032G3K
(TF)Half-sized, 32 GB, mSATA SSD, MLC, -40°C ~ +85°C
 - 968C032G0L
(TF)Half-sized, 32 GB, mSATA SSD, MLC, -40°C ~ +85°C
 - 968C064G3A
(TF)Half-sized, 64 GB, mSATA SSD, MLC, -40°C ~ +85°C
 - 968C128G1Q
(TF)Half-sized, 128 GB, mSATA SSD, MLC, -40°C ~ +85°C
- Note : AAEON factory-installed mSATA HDD is strongly recommended.**

Distributed by:



The Netherlands



Elektrostraat 17
NL-7483 PG Haaksbergen

T: +31 (0)53 573 33 33
F: +31 (0)53 573 33 30
E: nl@texim-europe.com

Belgium



Zuiderlaan 14 bus 10
B-1731 Zellik

T: +32 (0)2 462 01 00
F: +32 (0)2 462 01 25
E: belgium@texim-europe.com

UK & Ireland



St. Mary's House, Church Lane
Carlton Le Moorland
Lincoln LN5 9HS

T: +44 (0)1522 789 555
F: +44 (0)845 299 22 26
E: uk@texim-europe.com

Germany North



Bahnhofstrasse 92
D-25451 Quickborn

T: +49 (0)4106 627 07-0
F: +49 (0)4106 627 07-20
E: germany@texim-europe.com

Germany South



Martin-Kollar-Strasse 9
D-81829 München

T: +49 (0)89 436 086-0
F: +49 (0)89 436 086-19
E: germany@texim-europe.com

Austria



Warwitzstrasse 9
A-5020 Salzburg

T: +43 (0)662 216 026
F: +43 (0)662 216 026-66
E: austria@texim-europe.com

Nordic region



Sdr. Jagtvej 12
DK-2970 Hørsholm

T: +45 88 20 26 30
F: +45 88 20 26 39
E: nordic@texim-europe.com

General information



info@texim-europe.com
www.texim-europe.com