

(DC)TR-76D

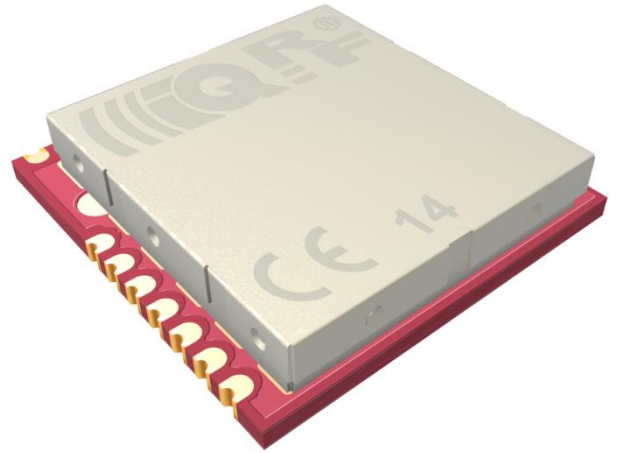
Transceiver Module

Data Sheet



Description

(DC)TR-76D is a family of IQRF transceiver modules operating in the 868 MHz and 916 MHz license free ISM (Industry, Scientific and Medical) frequency band. Its highly integrated ready-to-use design containing MCU, RF circuitry, serial EEPROM and optional on-board antenna requires no external components. SMT mounting and very small dimensions allow space saving. Extended RF power results in higher RF range. Ultra low power consumption fits for battery powered applications. MCU with built-in operating system significantly reduces application development time. Optional DPA framework supports applications even without programming.



This document is valid for TR as well as DCTR transceiver versions. For simplicity, only TR is used further on throughout the document.

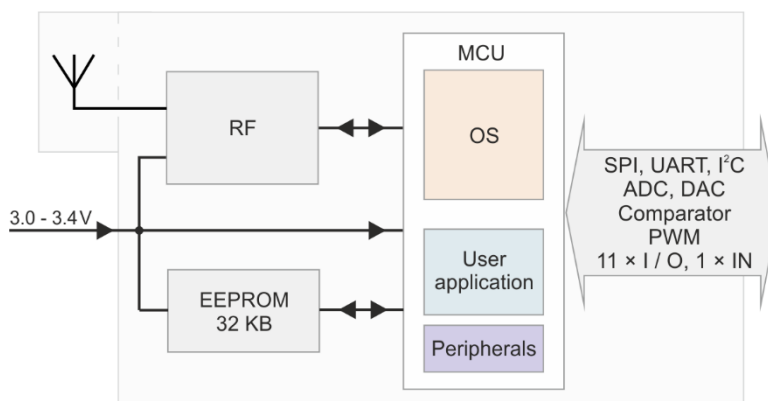
Key features

- Operating system (upgradeable at the user), easy to use
- DPA framework implementing DCTR (Data Controlled Transceiver)
- GFSK modulation
- Selectable RF band 868 / 916 MHz, multiple channel
- Selectable RF bit rate
- RF output power 12.5 mW
- MCU with extended resources, user interrupt capability
- Extra low power consumption, power management modes
- SPI interface supported by OS in background
- Serial EEPROM 256 Kb
- PWM output
- Programmable HW timer
- Battery monitoring
- 18 pins, 11 I/O pins, 1 input only pin
- A/D converter (4 channels), D/A converter, analog comparator
- Options: on-board antenna or soldering antenna pad-hole
- Stamp-hole pads, SMT mounting, compatible with SIM card connector without metallic holder
- Shielding can

Applications

- Point-to-point or network wireless connectivity
- Telemetry, AMR (automatic meter reading)
- WSN (wireless sensor network)
- Building automation
- Street lighting control
- Wireless monitoring, control and regulation
- Remote data acquisition
- RF connectivity in many other fields
- Also for municipal and indoor areas
- Internet of Things

Block diagram



Information contained in this publication regarding device applications and the like is provided only for your convenience and may be superseded by updates. It is your responsibility to ensure that your application meets with your specifications.

MICRORISC MAKES NO REPRESENTATIONS OR WARRANTIES OF ANY KIND TO STATED CONDITION, QUALITY, PERFORMANCE, MERCHANTABILITY OR FITNESS FOR PURPOSE and disclaims all liability arising from this information and its use. Use of MICRORISC devices in life support and/or safety applications is entirely at the buyer's risk, and the buyer agrees to defend, indemnify and hold harmless MICRORISC from any and all damages, claims, suits, or expenses resulting from such use. No licenses are conveyed, implicitly or otherwise, under any MICRORISC intellectual property rights.

Electrical specifications

 Typical values **unless otherwise stated**

Parameters specified in this datasheet are typical values. They are at power supply $V_{CC} = 3\text{ V}$ only. V_{CC} voltage different from 3 V can impact on RF range and other parameters.

Supply voltage (V_{CC}) ¹	3.0 V min., 3.4 V max., stabilized
Operating temperature ²	-40 °C to +85 °C
Supply current	
Sleep mode	< 1 μA (if all peripherals including RF IC disabled ⁴)
Run mode	
RF sleep	1.6 mA
RF ready	3.0 mA
RX mode	
STD	12.3 mA
LP ⁵	233 μA
XLP ⁵	15 μA
TX mode	8.3 mA – 19 mA (according to RF output power)
RF band	868 MHz or 916 MHz ⁷ (software configurable)
RF channels	See IQRF OS User's guide, Appendix <i>Channel maps</i>
RF data modulation	GFSK (Gaussian Frequency Shift Keying)
RF data transmission bit rate ⁶	19.836 kb/s
RF IC RF sensitivity	-106 dBm (STD RX mode, <code>checkRF(0)</code>)
RF IC RF output power	11 dBm (for 50 Ω load), programmable in 8 levels (0 – 7)
RF range (TR-76DA)	500 m ^{3A} , 1100 m ^{3B}
Input voltage on Q4 to Q15 pins	0 V to V_{CC}
A/D converter	10 bit, 4 inputs. Refer to MCU datasheet.
Size (L x W x H)	15.2 mm x 14.9 mm x 3.3 mm (TR-76D) 23.3 mm x 14.9 mm x 3.3 mm (TR-76DA)

Note 1: RF power and other parameters depend on supply voltage. Refer to datasheets of MCU and RF IC used. Test your application with respect to required supply voltage range.

Note 2: RF range may change with lower temperature. Frost, condensation or humidity over 85% may disable module functionality. Module suitability should be tested in final application before volume use.

Note 3: Arrangement:

3A: Two TR-76DA transceivers plugged in DK-EVAL-04x kits, vertically, 1.6 m above the ground, in free space (with reflective planes at min. 100 m distance).

3B: Two TR-76DA transceivers plugged in DK-EVAL-04x kits through the RNG-EXT-01 adapters, vertically, 1.6 m above the ground, in free space (with reflective planes at min. 100 m distance).

Test software: E09-LINK example (STD mode, `setRFpower(7)`, `checkRF(0)`), bit rate 19.836 kb/s.

Note 4: Additional current is consumed when a peripheral (e.g. watchdog, Brown-out detection etc.) is enabled.

Note 5: Depends on interferences.

Note 6: Several RF bit rates different from 19.836 kb/s will be available in future IQRF OS versions.

Note 7: 916 MHz band will be available in future IQRF OS versions.

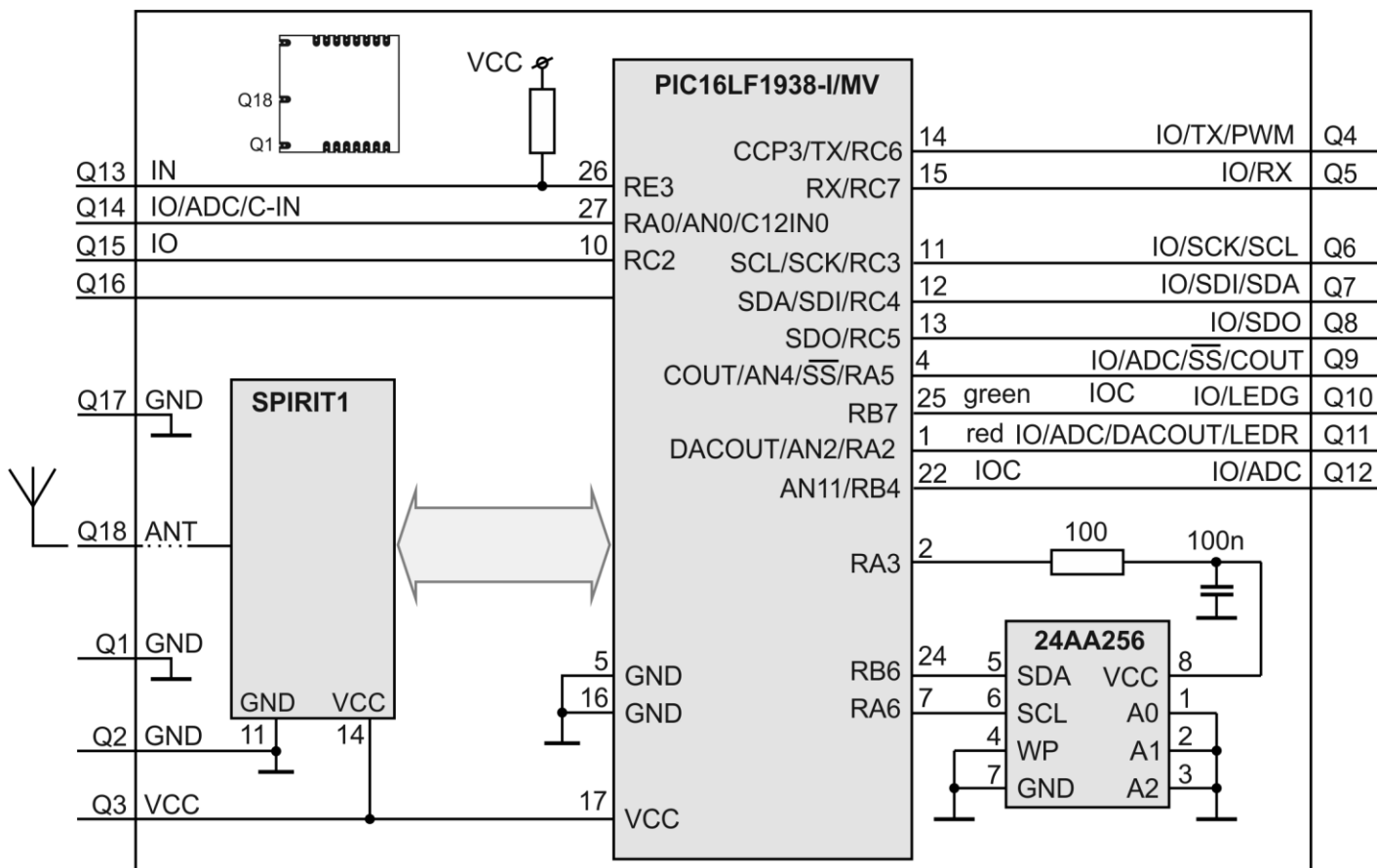
Caution: Electrostatic sensitive device. Observe appropriate precautions for handling.

Absolute maximum ratings

Stresses above listed maximum values may cause permanent damage to the device and affect device reliability. Functional operation at these or any other conditions beyond those specified is not supported.

Supply voltage (V_{CC})	4.0 V
Voltage on Q4 to Q15 pins (configured as inputs) vs. GND	-0.3 V to ($V_{CC} + 0.3$ V)
Storage temperature	-40 °C to +85 °C
Ambient temperature under bias	-40 °C to +85 °C

Simplified schematic



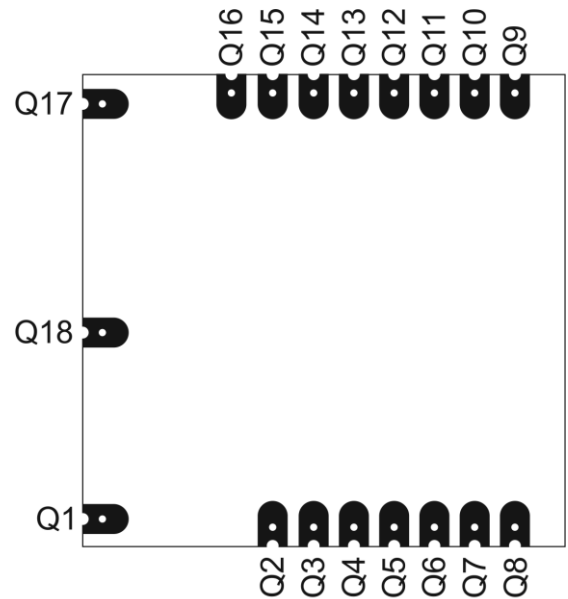
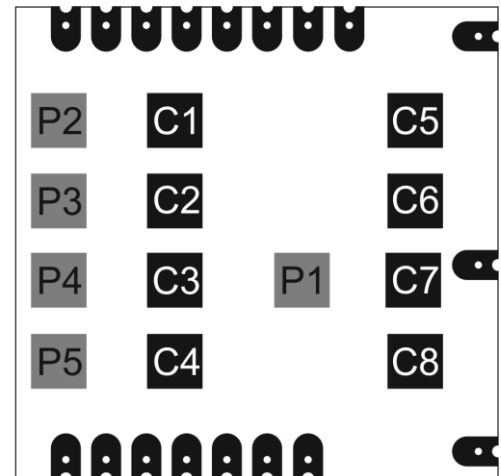
Basic components

IC	Type	Manufacturer	Note
MCU	PIC16LF1938-I/MV	Microchip	
RF IC	SPIRIT1	STMicroelectronics	
RF balun	BALF-SPI-01D3	STMicroelectronics	
EEPROM	24AA256-I/CS16K	Microchip	256 Kb

For more information refer to datasheets of ICs used.

Pin	Name	Description
-----	------	-------------

Q1 ⁸	GND	Ground
Q2, C4	GND	Ground
Q3, C3	V_{cc}	Power supply voltage
Q4	IO / TX / PWM	
	RC6	General I/O pin
	TX	UART TX
	CCP3	PWM output
Q5	IO / RX	
	RC7	General I/O pin
	RX	UART RX
Q6, C6	IO / SCK / SCL	
	RC3	General I/O pin
	SCK	SPI clock input
	SCL	I ² C clock
Q7 ⁹ , C7	IO / SDI / SDA	
	RC4	General I/O pin
	SDI	SPI data
	SDA	I ² C data
Q8 ⁹ , C8	IO / SDO	
	RC5	General I/O pin
	SDO	SPI data out
Q9, C5	IO / ADC / -SS / COUT	
	RA5	General I/O pin
	AN4	Analog A/D input
	-SS	SPI Slave select
	C2OUT	Comparator output
Q10 ¹⁰	IO / LEDG	
	RB7	General I/O pin, programmable pull-up Interrupt / Wake-up on change (IOC)
	LED1	LEDG supported by OS
Q11 ¹⁰	IO / ADC / LEDR	
	RA2	General I/O pin
	AN2	Analog A/D input
	LED2	LEDR supported by OS
	DACOUT	D/A converter output
Q12	IO / ADC	
	RB4	General I/O pin, with programmable pull-up Interrupt / Wake-up on change (IOC) RFPGM / (X)LP mode termination
	AN11	Analog A/D input
Q13	IN	
	RE3	General input only pin
Q14, C1	IO / ADC / C-IN	
	RA0	General I/O pin
	AN0	Analog A/D input
	C12IN0	Comparator -input
Q15, C2	IO	
	RC2	General I/O pin
Q16	–	Do not use, leave unconnected
Q17 ⁸	GND	Ground
Q18 ⁸	ANT	Antenna
P1–P5		For manufacturer only

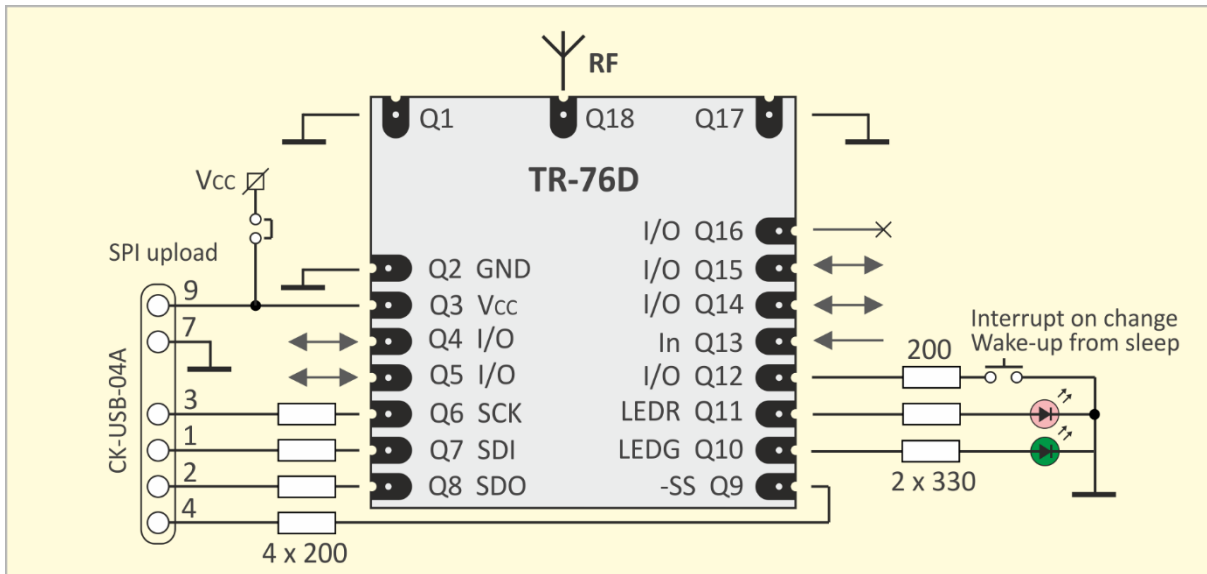
Top view

Bottom view


Note 8: Not implemented for TR-76DA.

Note 9: Pin Q8 is used as output and pin Q7 as input during initial ~200 ms boot-up (after power supply rising-up) to detect programming mode. That is why these two pins should not be interconnected to each other.

Note 10: This pin is affected by IQRF OS and DPA LED functions and system LED indication.

There are no on-board protection series resistors on I/O pins. It is recommended to use 200 Ω series resistors on each pin.

Recommended circuit for development


For development, it is recommend to implement the following arrangement:

- Both system LEDs (LEDR and LEDG) for IQRF OS and DPA status indication and for possible user indication. When the Q10 and Q11 pins are used as user I/Os, it must be taken into account that these pins can be affected by IQRF OS or DPA.
- Pin Q12 configured as input with internal pull-up resistor and equipped with a pushbutton connected to the ground. Then pressing the button can generate an interrupt on pin change, wake-up the transceiver from sleep, terminate RFPGM mode, initiate bonding etc.
- SPI interface for wired upload of application code into the transceiver using an IQRF programmer, e.g CK-USB-04A.

Depending on actual user application and power supply range, it may be required to isolate interface pins and/or power supply from user circuitry during uploading. For details refer to the CK-USB-04A User's guide, chapter *Application/In-circuit upload*.

Relative RF range

Figure 1: Relative RF range vs. level in the `setTXpower(level)` function. Refer to IQRF OS Reference guide.

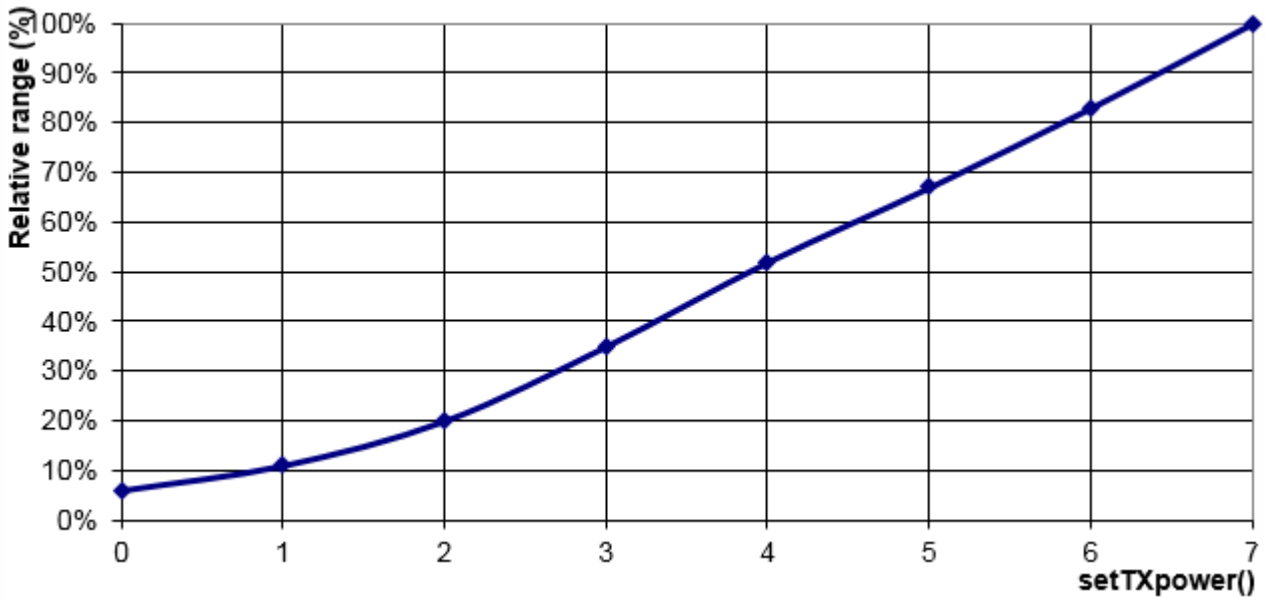


Figure 2: Relative RF range vs. level in the `checkRF(level)` function. Refer to IQRF OS Reference guide.

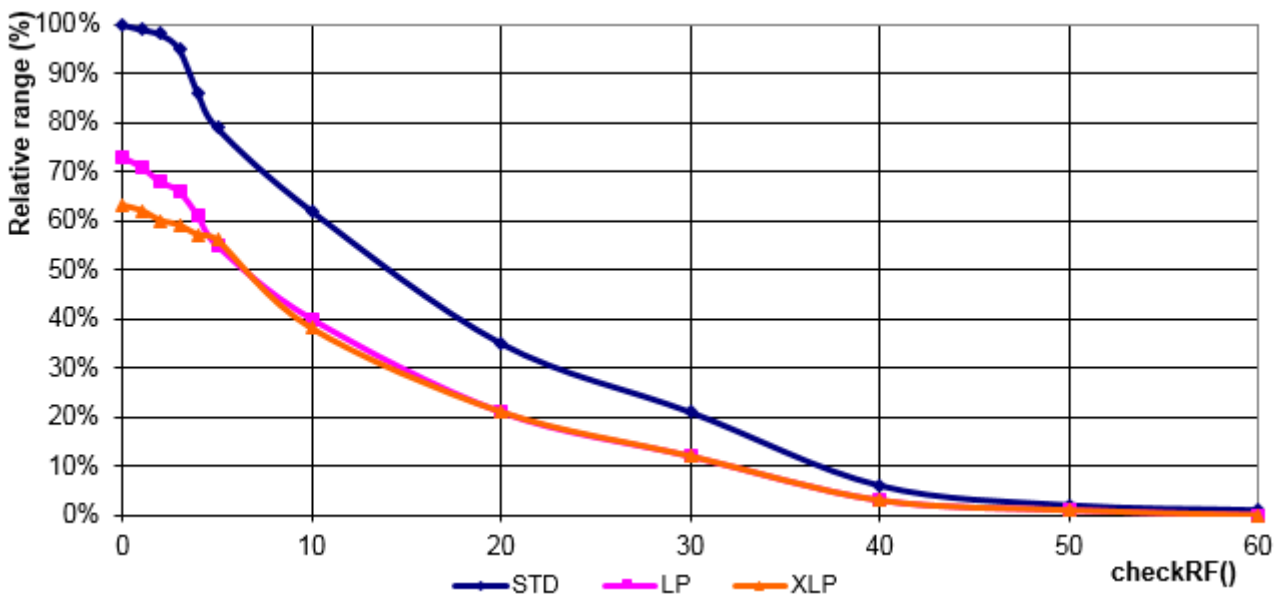
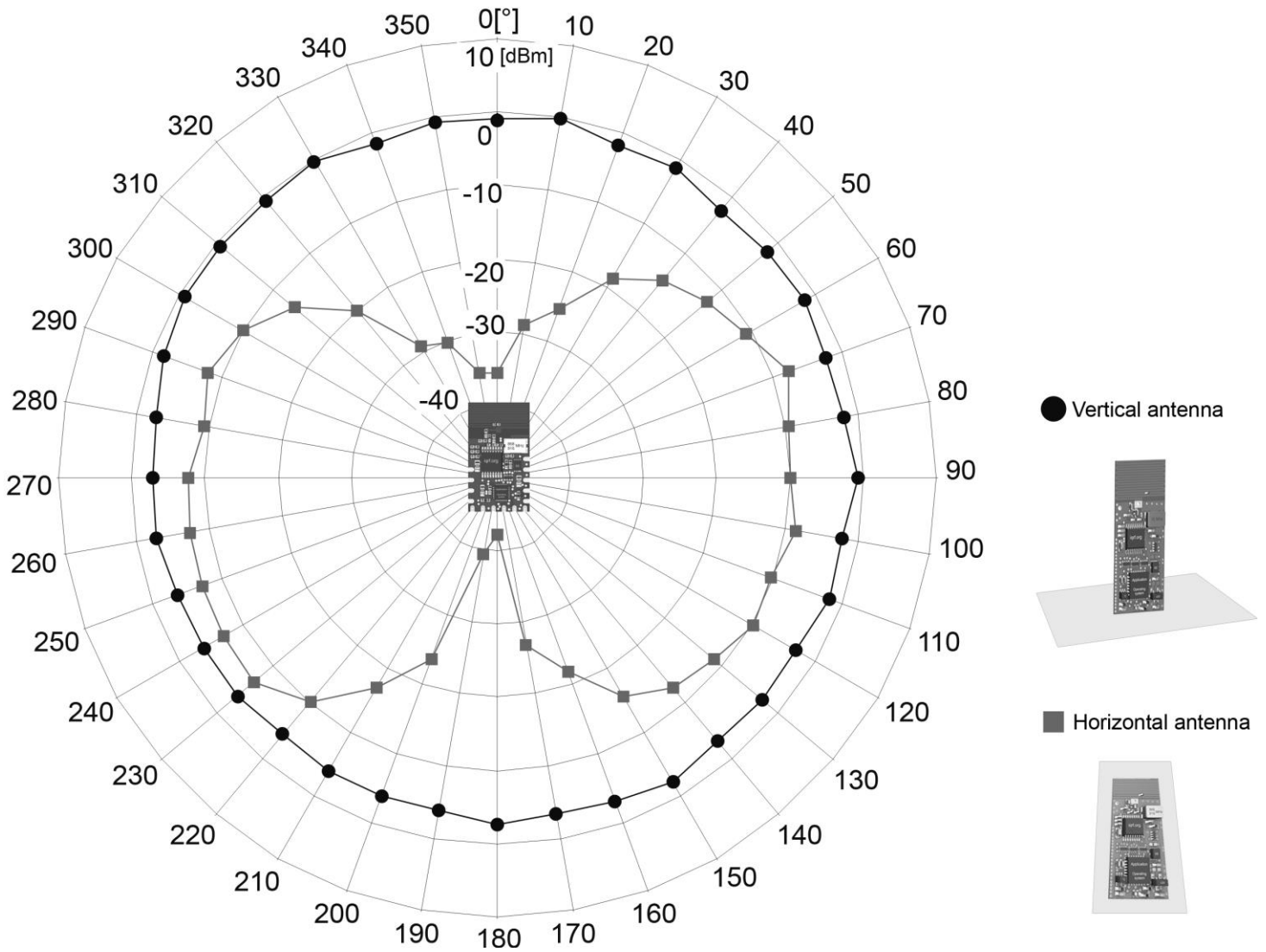
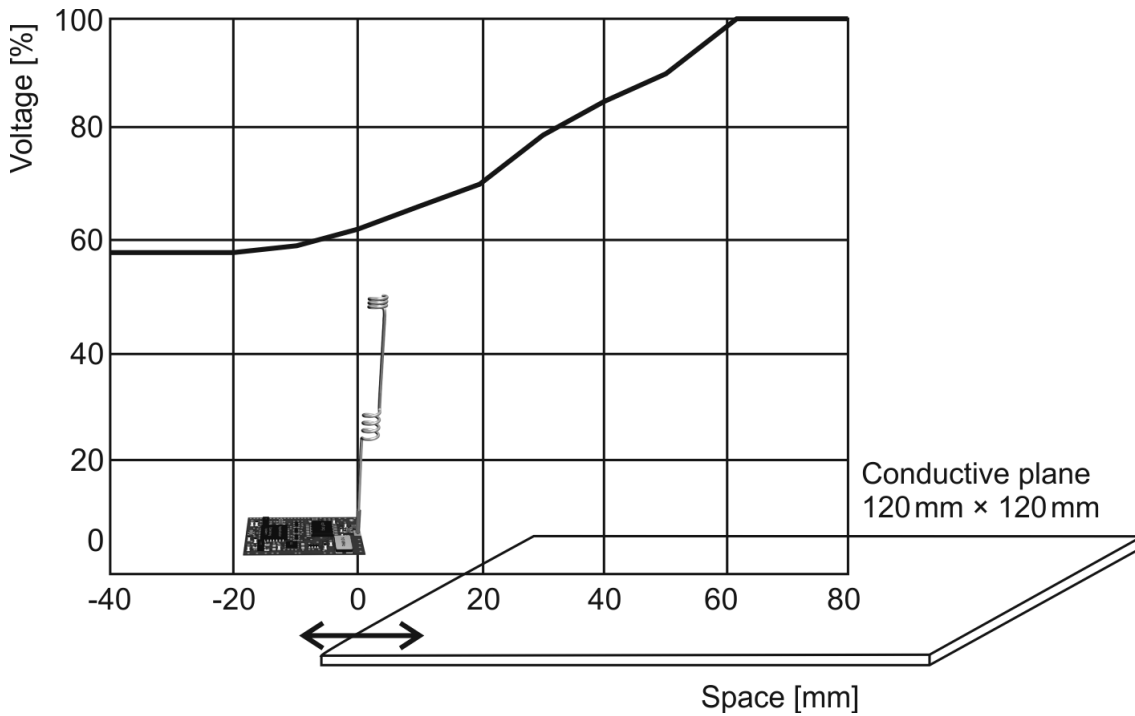
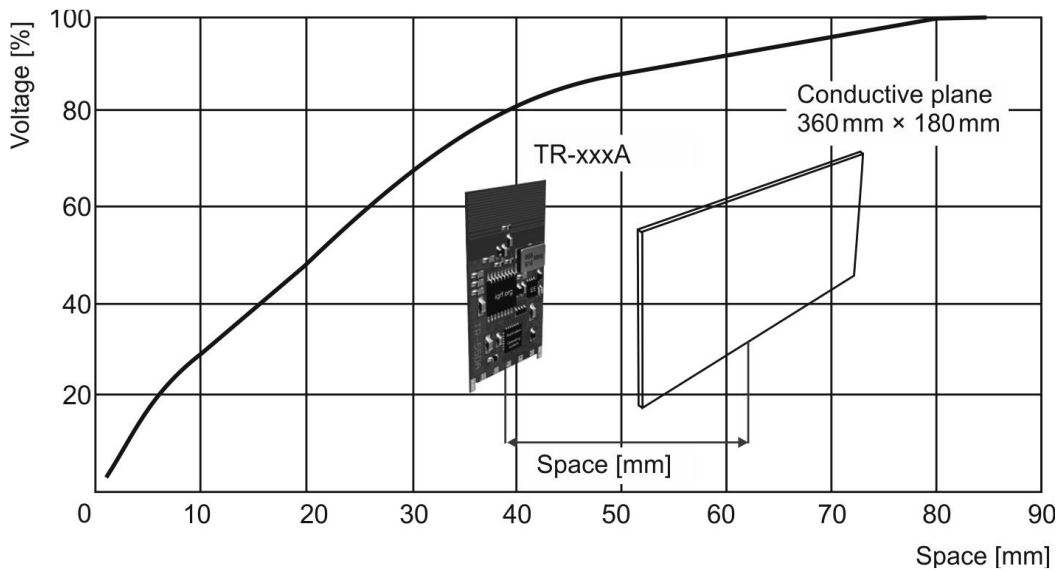


Figure 3: TR-76DA relative RF range vs. antenna orientation (radiation patterns)

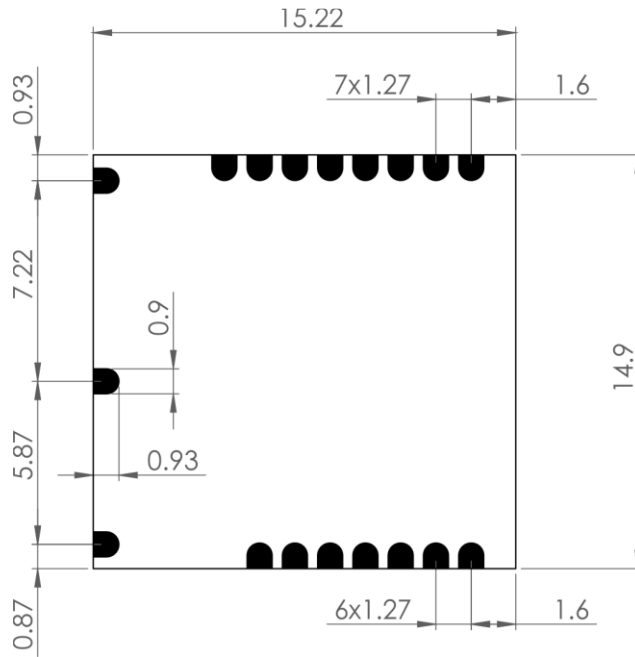
Relative decrease of RF input signal vs. antenna edge spacing to conductive areas

Conductive areas close to the antenna must be avoided.

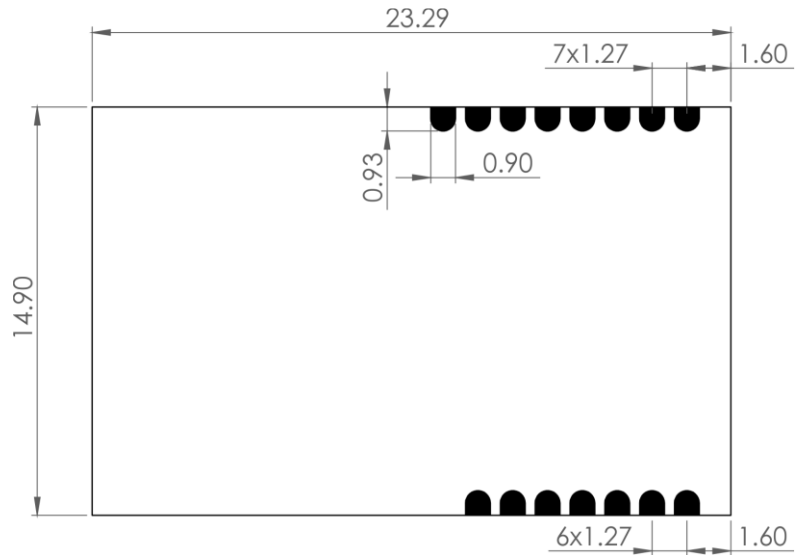
Figure 4: Perpendicular arrangement**Figure 5:** Parallel arrangement

Mechanical drawings

TR-76D



TR-76DA

*Top view. Units: mm.*

Application

Users have to ensure observing local provisions and restrictions relating to the use of short range devices by software, e.g. the CEPT ERC/REC 70-03 Recommendation and subsequent amendments in EU.

See IQRF video tutorial set on www.iqrf.org/videos.

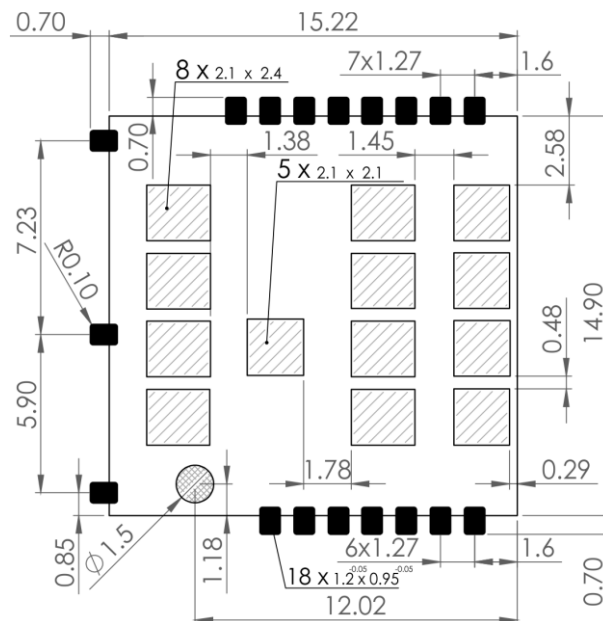
Assembly

For proper mounting of surface mount TR-76Dx modules and avoiding damage during solder reflow assembly the IPC/JEDEC J-STD-020C standard must be observed. The parts must be baked dry according to IPC/JEDEC J-STD-033C, MSL 4 before reflow soldering. For reflow profile and details refer to the AN010 Application note – SMT mounting of IQRF TR modules.

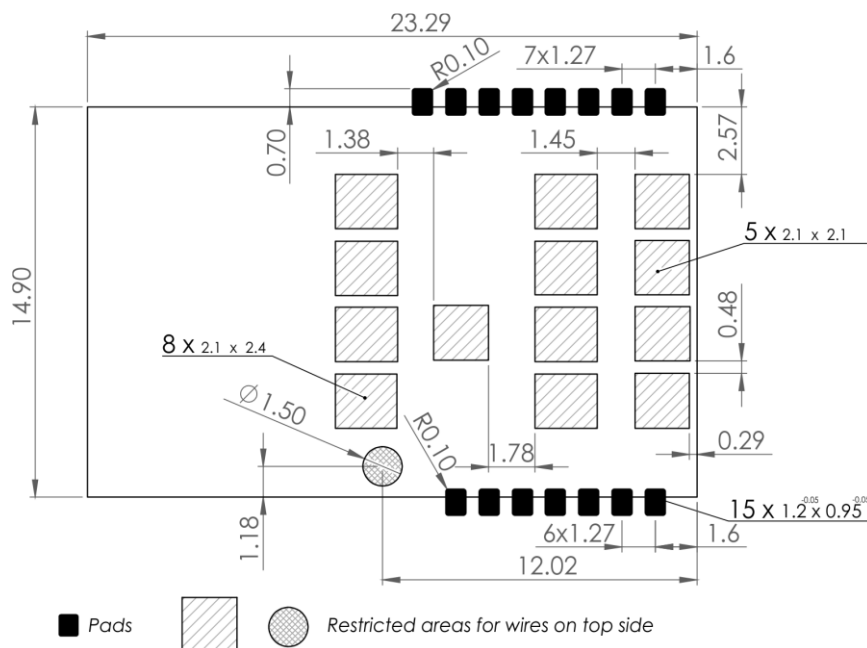
Caution: TR-76Dx must not be plugged in a SIM connector with metallic holder.

Recommended PCB layout:

TR-76D:



TR-76DA:



Top view. Units: mm.

Operating system

See IQRF OS User's guide and IQRF OS Reference guide.

DPA framework and DCTR

See DPA Framework technical guide.

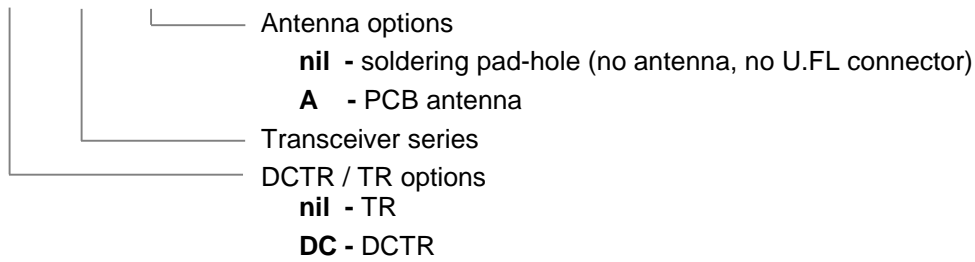
Application software

See IQRF Quick start guide and IQRF application examples.

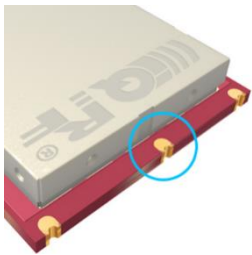
Programming (upload)

There are the following possibilities to upload an application program in TR-76Dx modules:

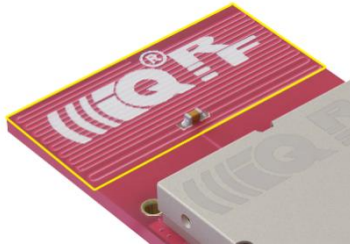
- Wired upload with TR-76Dx plugged via the SIM connector in the CK-USB-04A programmer.
- For TR-76Dx modules populated in an application:
 - Wired upload
 - Using the CK-USB-04A programmer. See the CK-USB-04A User's guide.
 - Using the CK-USB-04 programmer and the KON-TR-01P adapter. See the KON-TR-01P User's guide.
 - Wireless upload: See the IQRF OS User's guide, Appendix *RFPGM – RF programming™*.

Product information
Ordering codes
DC TR-76D A


Type	Antenna connection
(DC)TR-76D	Soldering pad-hole
(DC)TR-76DA	PCB antenna



TR-76D



TR-76DA

Document history

- 160304 Pin Q12 description slightly extended. Resistor values added to *Recommended circuit for development*.
- 160219 More detailed RF range specification. Q7 and Q8 pin description extended.
- 160118 Note 10 added in pin description table. Chapter *Recommended circuit for development* added. A bug in *Key features, antenna options* fixed.
- 151005 ETSI directives updated. Preliminary.
- 151001 First release. Preliminary.

Sales and Service

Corporate office

MICRORISC s.r.o., Prumyslova 1275, 506 01 Jicin, Czech Republic, EU
Tel: +420 493 538 125, Fax: +420 493 538 126, www.microrisc.com.

Partners and distribution

Please visit www.iqrf.org/partners.

Quality management

ISO 9001 : 2009 certified

Complies with ETSI directives EN 301489-1 V1.9.2:2011, EN 301489-3 V1.6.1:2013,
EN 300220-1 V2.4.1:2012, EN 300220-2 V2.4.1:2012 and VO-R/10/05.2014-3.

Complies with directives 2011/65/EU (RoHS) and 2012/19/EU (WEEE).



Trademarks

The IQRF name and logo and MICRORISC name are registered trademarks of MICRORISC s.r.o.
PIC, SPI, Microchip and all other trademarks mentioned herein are property of their respective owners.

Legal

All information contained in this publication is intended through suggestion only and may be superseded by updates without prior notice. No representation or warranty is given and no liability is assumed by MICRORISC s.r.o. with respect to the accuracy or use of such information.

Without written permission it is not allowed to copy or reproduce this information, even partially.

No licenses are conveyed, implicitly or otherwise, under any intellectual property rights.

The IQRF® products utilize several patents (CZ, EU, US)

On-line support: support@iqrf.org



Smarter wireless. Simply.

The Netherlands



Elektrostraat 17
NL-7483 PG Haaksbergen

T: +31 (0)53 573 33 33
F: +31 (0)53 573 33 30
E: nl@texim-europe.com

Belgium



Zuiderlaan 14 bus 10
B-1731 Zellik

T: +32 (0)2 462 01 00
F: +32 (0)2 462 01 25
E: belgium@texim-europe.com

UK & Ireland



St. Mary's House, Church Lane
Carlton Le Moorland
Lincoln LN5 9HS

T: +44 (0)1522 789 555
F: +44 (0)845 299 22 26
E: uk@texim-europe.com

Germany North



Bahnhofstrasse 92
D-25451 Quickborn

T: +49 (0)4106 627 07-0
F: +49 (0)4106 627 07-20
E: germany@texim-europe.com

Germany South



Martin-Kollar-Strasse 9
D-81829 München

T: +49 (0)89 436 086-0
F: +49 (0)89 436 086-19
E: germany@texim-europe.com

Austria



Warwitzstrasse 9
A-5020 Salzburg

T: +43 (0)662 216 026
F: +43 (0)662 216 026-66
E: austria@texim-europe.com

Nordic region



Sdr. Jagtvej 12
DK-2970 Hørsholm

T: +45 88 20 26 30
F: +45 88 20 26 39
E: nordic@texim-europe.com

General information



info@texim-europe.com
www.texim-europe.com