

Distributed by:



[www.texim-europe.com](http://www.texim-europe.com)

Datasheet

# 2.5" SATA SSD

## 3MG2-P series

- 2.5" SATA III solution for industrial field
- 7mm height mechanical design
- High IOPS
- Intelligent error recovery system
- iSMART disk health monitoring
- iData Guard for abnormal power failure
- iCell technology for data protection (optional)
- DEVSLP supported



## Introduction

Innodisk 2.5" SATA SSD 3MG2-P is SATA III 6Gb/s flash based disk, which delivers excellent performance, especially in random data transfer rate, and which offers reliability making it the ideal solution for a variety of applications, including embedded system, industrial computing, and enterprise field. 3MG2-P 2.5" SSD not only performs unmatched performance, but also designed with Innodisk owned technical knowhow to ensure the data integrity and highest levels of reliability. Additionally, 3MG2-P SATA SSD can support device sleep mode (DEVSLP) and thus be able to benefit in extreme low power consumption.

**innodisk**

[www.innodisk.com](http://www.innodisk.com)

[www.texim-europe.com](http://www.texim-europe.com)

# 2.5" SATA SSD

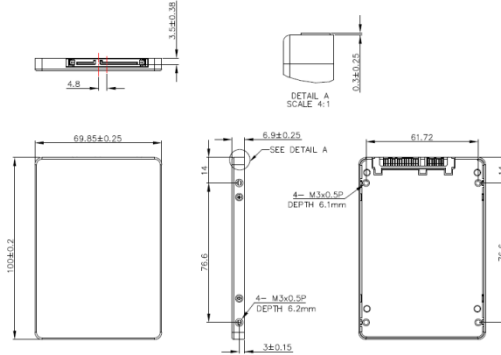
## 3MG2-P series

### Drawing

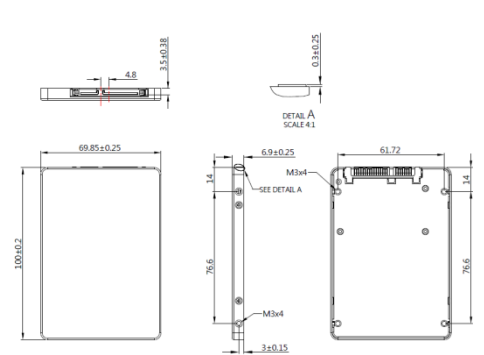
Contact us for more information about the 2.5" SATA SSD 3MG2-P

Innodisk is a service-driven provider of industrial embedded flash and DRAM storage products and technologies, with a focus on the industrial/embedded, aerospace and defense, and cloud computing industries.

\* DGS25-XXXD81SX1XC



\* DGS25-XXXD81SX3XC



### Specifications

Interface	SATA III
Flash Type	MLC
Capacity	8GB~2TB
Max. Channels	4
Sequential R/W (MB/sec, max.)*	520 / 480 MB/s
4KB Random (QD32) R/W (IOPS)*	70,000/64,000
Max. Power Consumption	6 W (5V x 1.2A )
Thermal Sensor	√
External DRAM Buffer	√
H/W Write Protect	-
ATA Security	√
S.M.A.R.T.	√
DEVSLP Mode	√ (min. power consumption 3mW)
Slumber Mode	√ (min. power consumption 30mW)
Dimension (WxLxH)	70.0 X 100.0 X 6.8 mm
Environment	Vibration: 20G @7~2000Hz Shock: 1500G @ 0.5ms Storage Temperature: -55°C ~ +95°C MTBF: 3 million hours
* Sequential performance based on CrystalDiskMark 3.03 with file size 1000MB	

#### Headquarters (Taiwan)

5F., No.237, Sec. 1, Datong Rd.,  
Xizhi Dist., New Taipei City,  
Taiwan (R.O.C.)  
Tel: +886-2-77033000  
Email: sales@innodisk.com

#### Branch Offices:

USA  
[usasales@innodisk.com](mailto:usasales@innodisk.com)  
+1-510-770-9421  
Europe  
[eusales@innodisk.com](mailto:eusales@innodisk.com)  
+31-(0)40-282-1818  
Japan  
[jpsales@innodisk.com](mailto:jpsales@innodisk.com)  
+81-3-6667-0161  
China  
[sales\\_cn@innodisk.com](mailto:sales_cn@innodisk.com)  
+86-755-21673689  
[www.innodisk.com](http://www.innodisk.com)

© 2015 Innodisk Corporation.  
All right reserved. Specifications  
are subject to change without  
prior notice.

### Ordering Information (Please refer to TPS for detail)

20151209

Operation Temp.	8GB	16GB	32GB	64GB	128GB	256GB	512GB	1TB	2TB
Standard Grade (0°C ~ +70°C)	DGS25-08GD81*C3SC DGS25-08GD81*C1SC(P)	DGS25-16GD81*C3DC DGS25-16GD81*C1DC(P)	DGS25-32GD81*C3QC DGS25-32GD81*C1QC(P) DGS25-32GD81*CADCN(P)	DGS25-64GD81*C1QC(P) DGS25-64GD81*CAQN(P)	DGS25-A28D81*C1QC(P) DGS25-A28D81*CAQN(P)	DGS25-B56D81*C1QC(P) DGS25-B56D81*CAQN(P)	DGS25-C12D81*C1QC(P) DGS25-C12D81*CAQN(P)	DGS25-01TD81*CAQC(P) DGS25-01TD81*CAQN(P)	DGS25-02TD81*CAQC DGS25-02TD81*CAQN
Industrial Grade (-40°C ~ +85°C)	DGS25-08GD81*W3SC DGS25-08GD81*W1SC(P)	DGS25-16GD81*W3DC DGS25-16GD81*W1DC(P)	DGS25-32GD81*W3QC DGS25-32GD81*W1QC(P) DGS25-32GD81*WADN(P)	DGS25-64GD81*W1QC(P) DGS25-64GD81*W1QAQN(P)	DGS25-A28D81*W1QC(P) DGS25-A28D81*W1QAQN(P)	DGS25-B56D81*W1QC(P) DGS25-B56D81*W1QAQN(P)	DGS25-C12D81*W1QC(P) DGS25-C12D81*W1QAQN(P)	DGS25-01TD81*W1QAQC(P) DGS25-01TD81*W1QAQN(P)	DGS25-02TD81*W1QAQC DGS25-02TD81*W1QAQN

Note: C stands for Toshiba flash/N stands for Micron flash, P is optional for icell  
\*S: Toshiba A19nm MLC and Micron 16nm MLC/ B: Toshiba 15nm

innodisk

[www.innodisk.com](http://www.innodisk.com)

[www.texim-europe.com](http://www.texim-europe.com)

## The Netherlands



Elektrostraat 17  
NL-7483 PG Haaksbergen

T: +31 (0)53 573 33 33  
F: +31 (0)53 573 33 30  
E: [nl@texim-europe.com](mailto:nl@texim-europe.com)

## Belgium



Zuiderlaan 14 bus 10  
B-1731 Zellik

T: +32 (0)2 462 01 00  
F: +32 (0)2 462 01 25  
E: [belgium@texim-europe.com](mailto:belgium@texim-europe.com)

## UK & Ireland



St. Mary's House, Church Lane  
Carlton Le Moorland  
Lincoln LN5 9HS

T: +44 (0)1522 789 555  
F: +44 (0)845 299 22 26  
E: [uk@texim-europe.com](mailto:uk@texim-europe.com)

## Germany North



Bahnhofstrasse 92  
D-25451 Quickborn

T: +49 (0)4106 627 07-0  
F: +49 (0)4106 627 07-20  
E: [germany@texim-europe.com](mailto:germany@texim-europe.com)

## Germany South



Martin-Kollar-Strasse 9  
D-81829 München

T: +49 (0)89 436 086-0  
F: +49 (0)89 436 086-19  
E: [germany@texim-europe.com](mailto:germany@texim-europe.com)

## Austria



Warwitzstrasse 9  
A-5020 Salzburg

T: +43 (0)662 216 026  
F: +43 (0)662 216 026-66  
E: [austria@texim-europe.com](mailto:austria@texim-europe.com)

## Nordic region



Sdr. Jagtvej 12  
DK-2970 Hørsholm

T: +45 88 20 26 30  
F: +45 88 20 26 39  
E: [nordic@texim-europe.com](mailto:nordic@texim-europe.com)

## General information



[info@texim-europe.com](mailto:info@texim-europe.com)  
[www.texim-europe.com](http://www.texim-europe.com)