

CABLE 138 RF: IPEX MHF PLUG + RP SMA STRAIGHT BULKHEAD JACK WITH O-RING RATED TO IP67/68 + 1.13MM CABLE

SPECIFICATIONS:

1. IPEX MHF PLUG (P/N: 20278-112R-13)
2. COAXIAL CABLE, SEE P/N OPTIONS.
3. RP SMA ST BULKHEAD JACK WITH O-RING RATED TO IP67/68, P/N: RFCT-SMA008-F78, GOLD

ENVIRONMENTAL:

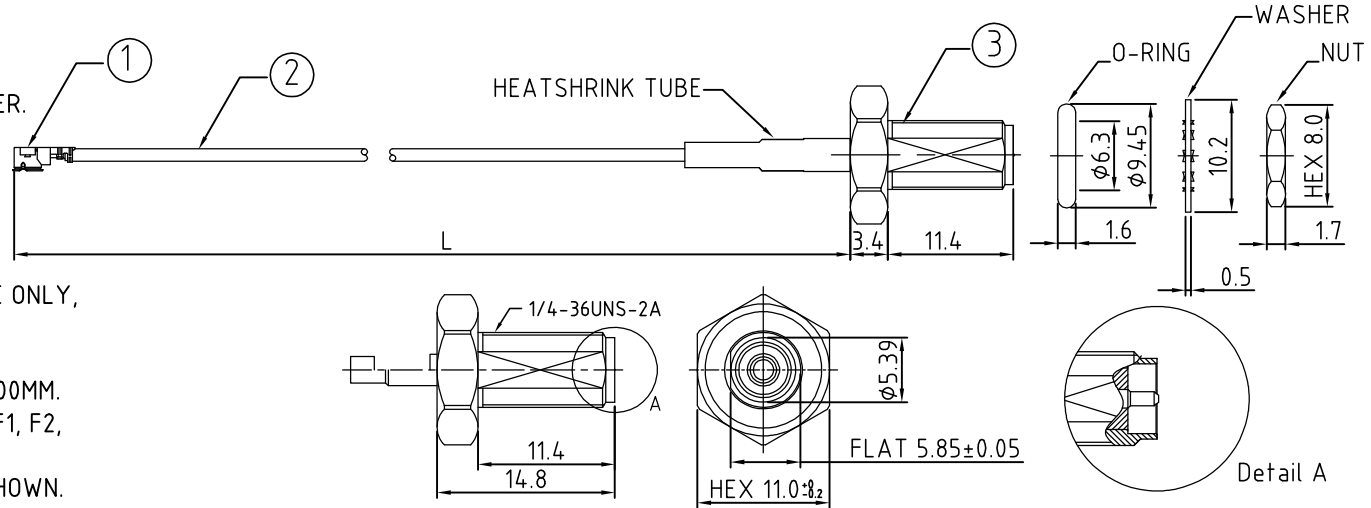
- A. BULKHEAD MOUNTED CONNECTOR (RFCT-SMA008-F78) TESTED TO THE FOLLOWING SPECIFICATION:
- i. IP6X - DUST TIGHT - NO PARTICLE INGRESS.
 - ii. IPX7 WATERPROOF FOR 30 MINUTES UP TO 1 METER UNDERWATER.
 - iii. IPX8 WATERPROOF FOR 48 HOURS AT 1 METER UNDERWATER.
 - iv. IPX8 WATERPROOF FOR 12 HOURS AT 5 METERS UNDERWATER.
 - v. PRESSURE TEST - 1 BAR FOR 10 SECONDS.

USAGE PRECAUTIONS: CABLES USING 'MICRO' COAX ARE DELICATE:

- (i) HANDLE WITH CARE.
- (ii) DO NOT TWIST; APPLY EXCESSIVE FORCES OR SHARP BENDS TO THE CABLE. DO NOT FORCEFULLY DEFORM WIRES.
- (iii) CONSULT CONNECTOR MANUFACTURER'S DATASHEETS FOR DETAILED NOTES ON HANDLING INSTRUCTIONS.

NOTES:

1. THE ORIENTATION OF CONNECTORS ON DRAWING IS FOR REFERENCE ONLY, IF THE ORDER IS LEFT BLANK THE CONNECTOR WILL NOT HAVE FIXED ORIENTATION.
2. FIXED ORIENTATION IS SUGGESTED FOR CABLE LENGTH 25MM TO 100MM. PLEASE SPECIFY THE FIXED ORIENTATIONS FROM THE ORDER CODE (F1, F2, ETC)
3. CONTACT GRAD CONN IF THE ORIENTATION YOU REQUIRE IS NOT SHOWN.
4. WORKING FREQUENCY RANGE: DC-3GHz.



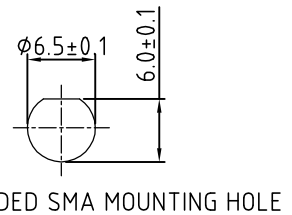
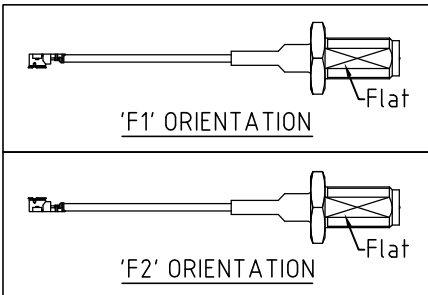
HOW TO ORDER
 CABLE 138 RF - X X X - X X - X - X

CABLE SIZE OPTIONS:
 0 = Ø1.13MM CABLE, COLOR: GRAY.
 1 = Ø1.13MM LOW LOSS CABLE, COLOR: GRAY.

"L" LENGTH IN MM:
 eg: 100MM = 100
 (MIN. 025-MAX.400)
 STANDARD = 100, 150, 200)
 Tolerance: $\pm 5\text{mm}$
 51-200mm: $\pm 5\text{mm}</math>
 201-400mm: $\pm 7\text{mm}</math>$$

WASHER AND NUT OPTIONS:
 BLANK = SEPARATELY PACKED (STANDARD)
 A = ASSEMBLED WITH CONNECTOR

ORIENTATION OPTIONS:
 BLANK = DOES NOT HAVE A FIXED ORIENTATION
 F1 = MHF CONNECTION DOWN (L=25-100MM)
 F2 = MHF CONNECTION UP (L=25-100MM)
 (SEE NOTES 1, 2, 3 AND DIAGRAMS FOR MORE INFORMATION)



REV. DATE & DRN
10 09/07/12 - NYW RELEASE
11 05/02/13 - NYW ADD NOTE 4.
12 06/18/13 - NYW AMEND SMA P/N.
13 06/17/13 - NYW AMEND FREQUENCY TO 3GHz.
14 23/07/15 - NYW UPDATE SMA PART NUMBER.
15 30/07/15 - RJH ADD NYW TO DRAWING INFO.
16 02/06/16 - NYW ADD 113 UL CABLE OPTION.



Scale: NTS	THIRD ANGLE	Unstated Tolerances: X ±0.2 .XX ±0.1 .XXX ±0.05 ANGLES ±5
Drawn: NYW		
App'd: XXX	Title CABLE ASSEMBLY	
Date: 16 JUN. '16	Revision: 1.6	Unit: mm

NAUTILUS
 IP67/68 Rated Cables

GRADCONN
 www.gradconn.com

Type: Cable 138 RF
CABLE 138 RF
Drawing Number:
Sheet 1 of 1
Drawing © E and O E

The Netherlands



Elektrostraat 17
NL-7483 PG Haaksbergen

T: +31 (0)53 573 33 33
F: +31 (0)53 573 33 30
E: nl@texim-europe.com

Belgium



Zuiderlaan 14 bus 10
B-1731 Zellik

T: +32 (0)2 462 01 00
F: +32 (0)2 462 01 25
E: belgium@texim-europe.com

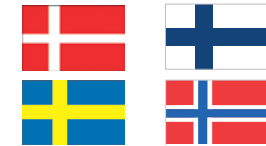
UK & Ireland



St. Mary's House, Church Lane
Carlton Le Moorland
Lincoln LN5 9HS

T: +44 (0)1522 789 555
F: +44 (0)845 299 22 26
E: uk@texim-europe.com

Nordic region



Sdr. Jagtvej 12
DK-2970 Hørsholm

T: +45 88 20 26 30
F: +45 88 20 26 39
E: nordic@texim-europe.com

Germany North



Bahnhofstrasse 92
D-25451 Quickborn

T: +49 (0)4106 627 07-0
F: +49 (0)4106 627 07-20
E: germany@texim-europe.com

Germany South



Martin-Kollar-Strasse 9
D-81829 München

T: +49 (0)89 436 086-0
F: +49 (0)89 436 086-19
E: germany@texim-europe.com

Austria



Warwitzstrasse 9
A-5020 Salzburg

T: +43 (0)662 216 026
F: +43 (0)662 216 026-66
E: austria@texim-europe.com

General information



info@texim-europe.com
www.texim-europe.com