

CABLE 235 RF: RF CABLE ASSEMBLY, IPEX MHF + TNC STRAIGHT BULKHEAD JACK W/O-RING RATED TO IP67/68, MULTIPLE CABLES

SPECIFICATIONS:

1. I-PEX MHF PLUG, P/N: FOR RG178 CABLE: 20278-112R-18, FOR $\phi 1.37\text{MM}$ CABLE: 20351-112R-37.
2. SEE CABLE SIZE OPTIONS.
3. TNC STRAIGHT BULKHEAD JACK WITH O-RING RATED TO IP67/68, P/N: RFCT-TNC006-F78.

USAGE PRECAUTIONS: CABLES USING 'MICRO' COAX ARE DELICATE:

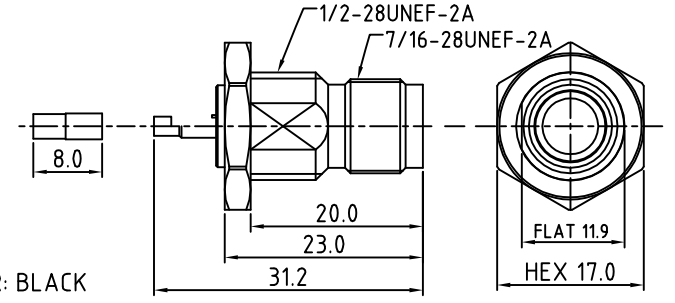
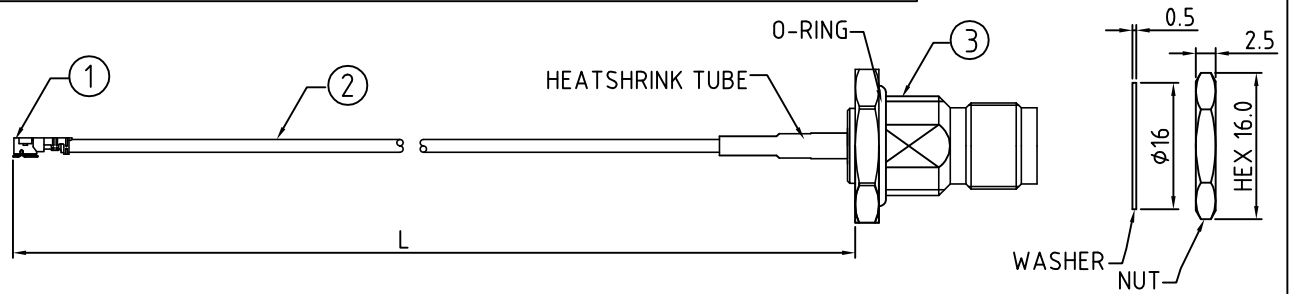
- (i) HANDLE WITH CARE.
- (ii) DO NOT TWIST; APPLY EXCESSIVE FORCES OR SHARP BENDS TO THE CABLE. DO NOT FORCEFULLY DEFORM WIRES.
- (iii) CONSULT CONNECTOR MANUFACTURER'S DATASHEETS FOR DETAILED NOTES ON HANDLING INSTRUCTIONS.

ENVIRONMENTAL:

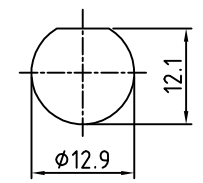
- A. BULKHEAD MOUNTED CONNECTOR (RFCT-TNC006-F78) RATED TO THE FOLLOWING SPECIFICATION:
- i. IP6X - DUST TIGHT - NO PARTICLE INGRESS.
 - ii. IPX7 WATERPROOF FOR 30 MINUTES UP TO 1 METER UNDERWATER.
 - iii. IPX8 WATERPROOF FOR 48 HOURS AT 1 METER UNDERWATER.

NOTES:

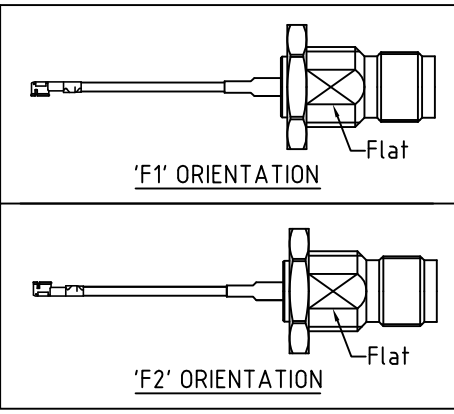
1. THE ORIENTATION OF CONNECTORS ON DRAWING IS FOR REFERENCE ONLY, IF THE ORDER IS LEFT BLANK THE CONNECTOR WILL NOT HAVE FIXED ORIENTATION.
2. FIXED ORIENTATION IS SUGGESTED FOR CABLE LENGTH 25MM TO 100MM. PLEASE SPECIFY THE FIXED ORIENTATIONS FROM THE ORDER CODE (F1, F2, ETC)
3. CONTACT GRAD CONN IF THE ORIENTATION YOU REQUIRE IS NOT SHOWN.
4. WORKING FREQUENCY RANGE: DC-3GHz



TNC DETAIL DRAWING



RECOMMENDED TNC MOUNTING HOLE (TOLERANCE: ± 0.1)



HOW TO ORDER

CABLE 235 RF - XXX - X - XX - X

"L" LENGTH IN MM
eg: 100MM = 0100
(MIN. 025-MAX.400)
STANDARD = 100, 150, 200
Tolerance: <50mm : $\pm 2\text{mm}$.
51-200mm: $\pm 5\text{mm}$.
201-400mm: $\pm 7\text{mm}$.

CABLE SIZE OPTIONS:
1 = $\phi 1.37\text{MM}$ CABLE, COLOR: BLACK
2 = RG178, COLOR: BROWN

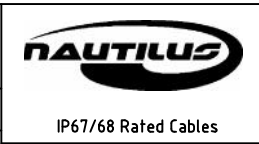
ORIENTATION OPTIONS:
BLANK = DOES NOT HAVE A FIXED ORIENTATION
F1 = MHF CONNECTION DOWN (L=25-200MM)
F2 = MHF CONNECTION UP (L=25-200MM)
(SEE NOTES 1, 2, 3 AND DIAGRAMS FOR MORE INFORMATION)

WASHER AND NUT OPTIONS:
BLANK = SEPARATELY PACKED (STANDARD)
A = ASSEMBLED WITH CONNECTOR

REV. DATE & DRN
L1: 20/05/16 - NEW RELEASE
L1: 22/08/16 - RZH ADDED
CABLE OPTION (RG178, BROWN)



Scale: NTS	THIRD ANGLE	Unstated X XX .XX XXX ANGLES	Tolerances: ± 0.2 ± 0.1 ± 0.05 ± 5
Drawn: RJH		Title CABLE ASSEMBLY	
App'd: XXX		Date: 23 AUG, '16	Revision: 1.1
			Unit: mm



Type: Cable 235 RF
CABLE 235 RF
Drawing Number:
Sheet 1 of 1
Drawing © E and O E

The Netherlands



Elektrostraat 17
NL-7483 PG Haaksbergen

T: +31 (0)53 573 33 33
F: +31 (0)53 573 33 30
E: nl@texim-europe.com

Belgium



Zuiderlaan 14 bus 10
B-1731 Zellik

T: +32 (0)2 462 01 00
F: +32 (0)2 462 01 25
E: belgium@texim-europe.com

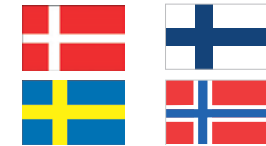
UK & Ireland



St. Mary's House, Church Lane
Carlton Le Moorland
Lincoln LN5 9HS

T: +44 (0)1522 789 555
F: +44 (0)845 299 22 26
E: uk@texim-europe.com

Nordic region



Sdr. Jagtvej 12
DK-2970 Hørsholm

T: +45 88 20 26 30
F: +45 88 20 26 39
E: nordic@texim-europe.com

Germany North



Bahnhofstrasse 92
D-25451 Quickborn

T: +49 (0)4106 627 07-0
F: +49 (0)4106 627 07-20
E: germany@texim-europe.com

Germany South



Martin-Kollar-Strasse 9
D-81829 München

T: +49 (0)89 436 086-0
F: +49 (0)89 436 086-19
E: germany@texim-europe.com

Austria



Warwitzstrasse 9
A-5020 Salzburg

T: +43 (0)662 216 026
F: +43 (0)662 216 026-66
E: austria@texim-europe.com

General information



info@texim-europe.com
www.texim-europe.com