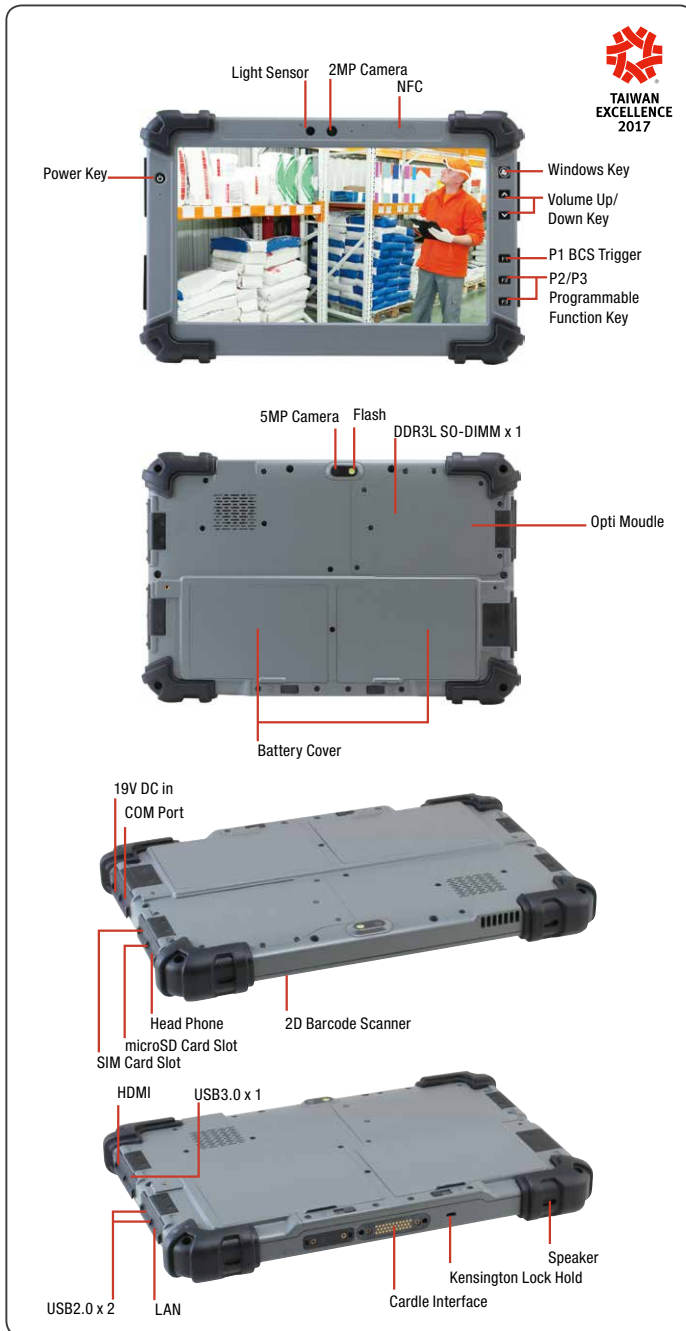


06 RTC-1200SK

Rugged Tablet Computers

11.6" Rugged Tablet x86-based Windows® 7/ 10 up to 3.4 GHz Dual Core Processor



Features

- 11.6" FHD (1920 x 1080) Sunlight Readable Display
- Intel® Core™ i/ Celeron® up to 2.4 GHz
- One DDR3L SO-DIMM Socket, up to 8 GB
- One M.2 for SSD, 64GB as the Default
- Projective Capacitive Multi-Touch Panel
- Two Hot-swappable Battery, 14.8V/ 2200mAh/ 2.2A
- MIL-STD-810G, IP65 Compliant, Drop 120cm
- 10/100/1000 Base-T Ethernet & RS-232/422/485 COM Port
- USB3.0 x 1 (Standard Connector), USB2.0 x 2 (Standard Connector)
- Programmable Function Key: Windows, Volume Up/Down, P1, P2, P3 with LED Illumination
- Kensington Lock Hole x 1
- Docking Connector with Pass-through ANT GNSS/WWAN Windows® 7, 10



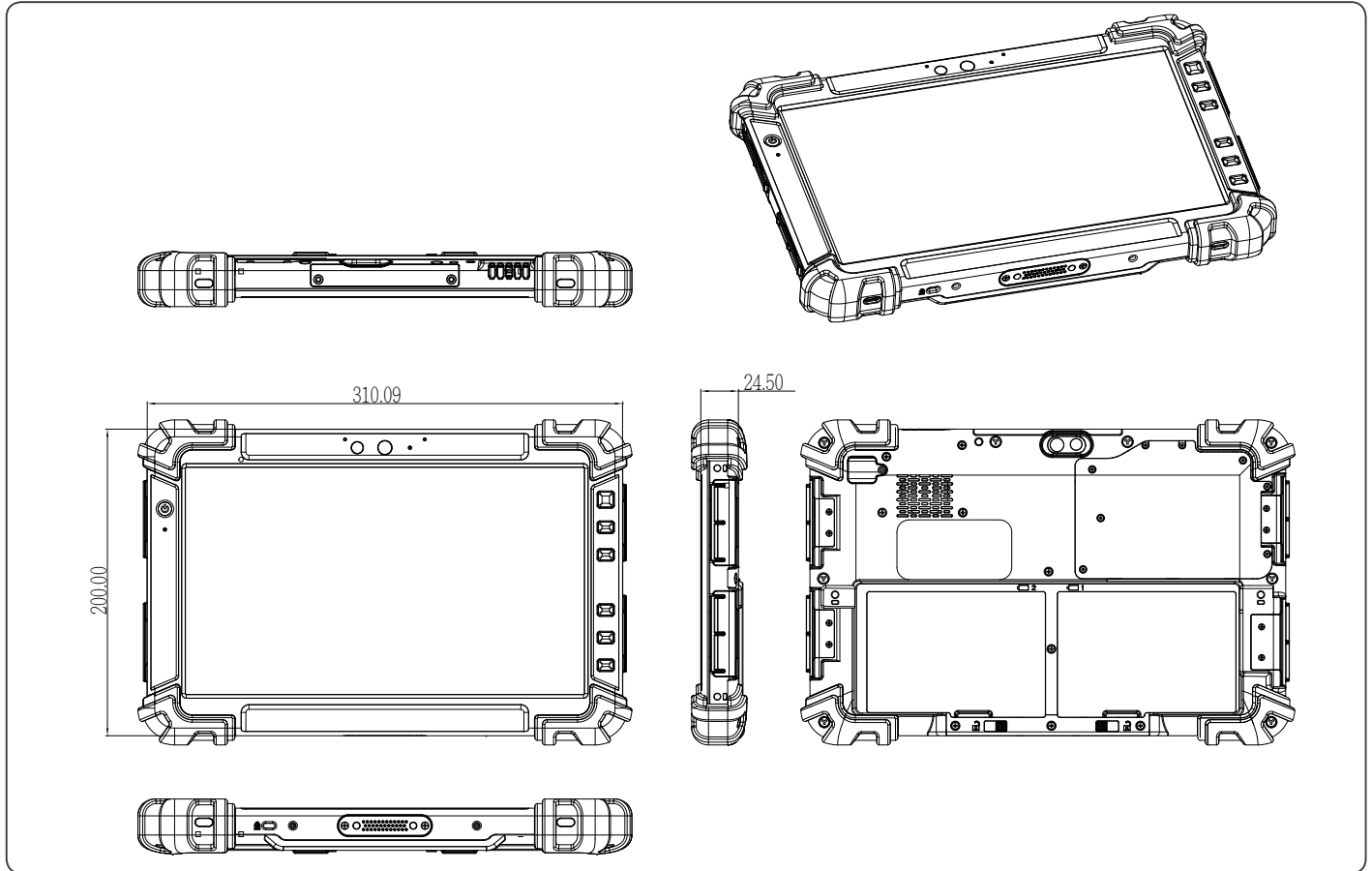
Camera	2 MP front camera, 5 MP auto-focus rear camera with flash
Sensors	G-sensor, E-Compass, Gyroscope, Light-sensor
Expansion Slot	Docking; GPS/WLAN Pass-through via Docking
Barcode Code Scanner (optional)	1D Scanner support CMOS engine (optional), 2D Scanner support LED engine
RFID (optional)	Front-facing HF RFID based on 13.56MHz compatible with NFC
Mechanical	
Color	Gray & Black
Dimension (W x H x D)	310.4 mm x 200 mm x 24.5 mm
Gross Weight	3.3 lbs (1.5 kg)
Environmental	
Operating Temperature	-20°C ~ 60°C (-4°F ~ 140°F)
Storage Temperature	-55°C ~ 70°C (-67°F ~ 158°F)
Humidity	50°C; 5% ~ 90%RH; 120 hours, non-condensing
Environmental Sealing	IP65
Vibration	MIL-STD-810G Method 514.6 Procedure I, Cat. 24, Fig. 514.6E-1 & E-2
Drop	MIL-STD-810G Method 516.6 Procedure IV - Height of Drop: 122cm (48 inch; 4ft), - Number of Drop: 26 times, - Floor: Twoinch plywood backed by concrete, - For all surfaces, edges and corners
ESD	Air charge: +/- 8KV, Contact charge: +/- 4KV
Certifications and Standards	UL: UL60950-1, CE/LVD: EN60950-1, FCC, CE
Power Supply	
AC / DC Adapter	AC 100~240V, 50~60Hz ; DC 19V/3.42A (65W)
Battery Life	Li-polymer High Capacity Battery, up to 6 Hours Battery Life, one of hard packs is removable
Master Battery	Removable Battery: 14.8V 2270mAH
Slave Battery	Removable Battery: 14.8V 2270mAH
Display	
LCD	11.6" TFT-LCD / 16:9, with LED backlight
Resolution	1920 x 1080 pixel
Maximum Color	16.7M
Dot Size	0.117 x 0.117(H)
Brightness	1000 nits; 300 nits (Optional)
Viewing Angle	Horizontal: 178° (Typ.), Vertical: 178° (Typ.)
Touch Screen	
Touch Type	Projected capacitive multi-touch screen (PCT); Gloves/Finger Switchable by F2
Light Transmission	Min 87% (ASTM D1003; Wavelength = 550nm)
Physical Key	
Windows	Starter Key
Volume up	Speaker Volume Up
Volume down	Speaker Volume Down
F1	Ctrl+Atl+Del & Barcode Scanner Trigger
F2	Touch Mode Switch
F3	PrtsC/printscreen

Specifications

System Architecture	
Processor	Intel® Core™ i Dual Core up to 3.4GHz Processor Intel® Celeron® 3955U Dual Core 2.0GHz Processor
Operating System	Windows® 10 IoT Enterprise 64bit, Windows® 7 Embedded 32/64bit
Memory	DDR3 SO-DIMM Socket x 1, up to 8 GB
Storage	M.2 (NGFF) SSD, default 64GB
Display	11.6" TFT-LCD / 16:9, with Projected Capacitive Multi-Touch screen
I/O Ports	DC-in Jack x 1, USB 3.0 x 1 (Type A), USB 2.0 x 2 (Type A), RJ45 x 1, COM x 1, HDMI x 1, Micro SD Card Slot x 1, 3.5-mm stereo headphone jack x 1, Built-in Speaker & Microphone SIM Card Slot x 1, Barcode Scanner (Optional)
Communication	Bluetooth v4.0, Wi-Fi (802.11 b/g/n), Front-facing NFC / RFID (13.56MHz), 3G (Optional)
Navigation	GPS, Glonass
WWAN(optional)	3G: WCDMA

Dimension

Unit: mm



Ordering Information

Part Number	CPU	LCD Display	Touch Screen	System Memory	Storage	OS	WiFi/Bluetooth	3G Bands (MHz)	Navigation	Sensor	Camera	Battery	Power	Expansion I/O	Size & Weight	Operation Temp	Durable	NFC (HF RFID)	2D Barcode Scanner	Docking
RTC-1200SK3-TASD-WBGHR-1101	Intel® Core™ i3 Dual Core 2.3GHz Processor	11.6" 1000 nits	Pcap 10-point	DDR3 4GB	M.2 SSD 64GB	Windows 10 IOT Enterprise	802.11 a/b/g/n + BT4.0	Yes	GPS/Glonass	Light Sensor x1, G Sensor x1, 3-axis digital, groscopec x1, Vibrator x1	Front: 2MP Rear: 5MP Autofocus w/Flash	Dual Battery 14.8V, 2270 mAh x 2	DC19V	USB 3.0 x 1 (Type A), USB 2.0 x 2 (Type A), RJ45 x1, COM x1, HDMI x1, Micro SD Card Slot x1, SIM x1, mPCI-e x 2	310.4 mm x 200 mm x 24.5 mm, 1.5Kg	-20°C ~ 50°C	Meet IEC 60529 IP-65 standard MIL Std 810G-516.6, Procedure IV MIL Std 810G-514.6, Procedure I 26 drops of 48" height to 2" plywood over concrete with bumpers & unit off 2 units to pass	Yes	Yes	Yes
RTC-1200SK3-TASD-WBGHR-1100	Intel® Core™ i3 Dual Core 2.3GHz Processor	11.6" 1000 nits	Pcap 10-point	DDR3 4GB	M.2 SSD 64GB	Windows 10 IOT Enterprise	802.11 a/b/g/n + BT4.0	Yes	GPS/Glonass	Light Sensor x1, G Sensor x1, 3-axis digital, groscopec x1, Vibrator x1	Front: 2MP Rear: 5MP Autofocus w/Flash	Dual Battery 14.8V, 2270 mAh x 2	DC19V	USB 3.0 x 1 (Type A), USB 2.0 x 2 (Type A), RJ45 x1, COM x1, HDMI x1, Micro SD Card Slot x1, SIM x1, mPCI-e x 2	310.4 mm x 200 mm x 24.5 mm, 1.5Kg	-20°C ~ 50°C	Meet IEC 60529 IP-65 standard MIL Std 810G-516.6, Procedure IV MIL Std 810G-514.6, Procedure I 26 drops of 48" height to 2" plywood over concrete with bumpers & unit off 2 units to pass	Yes	—	Yes
RTC-1200SKC-TAD-WBG-1100	Intel® Celeron® 3955U Dual Core 2.0GHz Processor	11.6" 300 nits	Pcap 10-point	DDR3 4GB	M.2 SSD 64GB	Windows 10 IOT Enterprise	802.11 a/b/g/n + BT4.0	—	Yes	Light Sensor x1, G Sensor x1, 3-axis digital, groscopec x1, Vibrator x1	Front: 2MP Rear: 5MP Autofocus w/Flash	Dual Battery 14.8V, 2270 mAh x 2	DC19V	USB 3.0 x 1 (Type A), USB 2.0 x 2 (Type A), RJ45 x1, COM x1, HDMI x1, Micro SD Card Slot x1, SIM x1, mPCI-e x 2	310.4 mm x 200 mm x 24.5 mm, 1.5Kg	-20°C ~ 50°C	Meet IEC 60529 IP-65 standard MIL Std 810G-516.6, Procedure IV MIL Std 810G-514.6, Procedure I 26 drops of 48" height to 2" plywood over concrete with bumpers & unit off 2 units to pass	Yes	—	Yes

Packing List

- 1253300655 Adaptor
- RTC-1200SK



Optional Accessories

- RTC-1200-HSP01-000 Rotating Hand-Strap
- RTC-1200-BLT01-000 Shoulder Belt
- RTC-1200-STS01-000 Stylus
- RTC-1200-STS02-000 Active Stylus
- RTC-1200BAT01-000 Batteries x 2/ Box
- RTC-1200-BK01-000 Mount Bracket (VESA/RAM)
- RBC-1200-0000 Battery Charger
- RDS-241V-000 Vehicle Docking

* Small quantity MOQ may apply for optional/customized services.

The Netherlands



Elektrostraat 17
NL-7483 PG Haaksbergen

T: +31 (0)53 573 33 33
F: +31 (0)53 573 33 30
E: nl@texim-europe.com

Belgium



Zuiderlaan 14 bus 10
B-1731 Zellik

T: +32 (0)2 462 01 00
F: +32 (0)2 462 01 25
E: belgium@texim-europe.com

UK & Ireland



St. Mary's House, Church Lane
Carlton Le Moorland
Lincoln LN5 9HS

T: +44 (0)1522 789 555
F: +44 (0)845 299 22 26
E: uk@texim-europe.com

Germany North



Bahnhofstrasse 92
D-25451 Quickborn

T: +49 (0)4106 627 07-0
F: +49 (0)4106 627 07-20
E: germany@texim-europe.com

Germany South



Martin-Kollar-Strasse 9
D-81829 München

T: +49 (0)89 436 086-0
F: +49 (0)89 436 086-19
E: germany@texim-europe.com

Austria



Warwitzstrasse 9
A-5020 Salzburg

T: +43 (0)662 216 026
F: +43 (0)662 216 026-66
E: austria@texim-europe.com

Nordic region



Sdr. Jagtvej 12
DK-2970 Hørsholm

T: +45 88 20 26 30
F: +45 88 20 26 39
E: nordic@texim-europe.com

General information



info@texim-europe.com
www.texim-europe.com