



**CUSTOMER' S APPROVAL SPECIFICATIONS**

**MODEL: CH121ILGL-00(**

**(Complied with RoHS)**

**ISSUE:AUG.10.2016**

**Spec Condition:preliminary**

NO.	ITEM	PAGE
1	COVER	--
2	RECORD OF REVISION	0-1
3	MECHANICAL SPECIFICATIONS	1
4	OUTLINE DIMENSIONS	2-3
5	INTERFACE PIN CONNECTION	4
6	BLOCK DIAGRAM	5
7	ABSOLUTE MAXIMUM RATINGS	5
8	ELECTRICAL CHARACTERISTICS	6-7
9	OPTICAL CHARACTERISTICS	7-9
10	TIMING SPECIFICATIONS	10-11
11	RELIABILITY TEST	12
12	PRECAUTIONS FOR USE	13

CUSTOMER	CHEF FREE		
APPROVAL	APPROVAL	CHECKER	PREPARE
	<i>Joly</i>	<i>Joly</i>	<i>Jan</i>



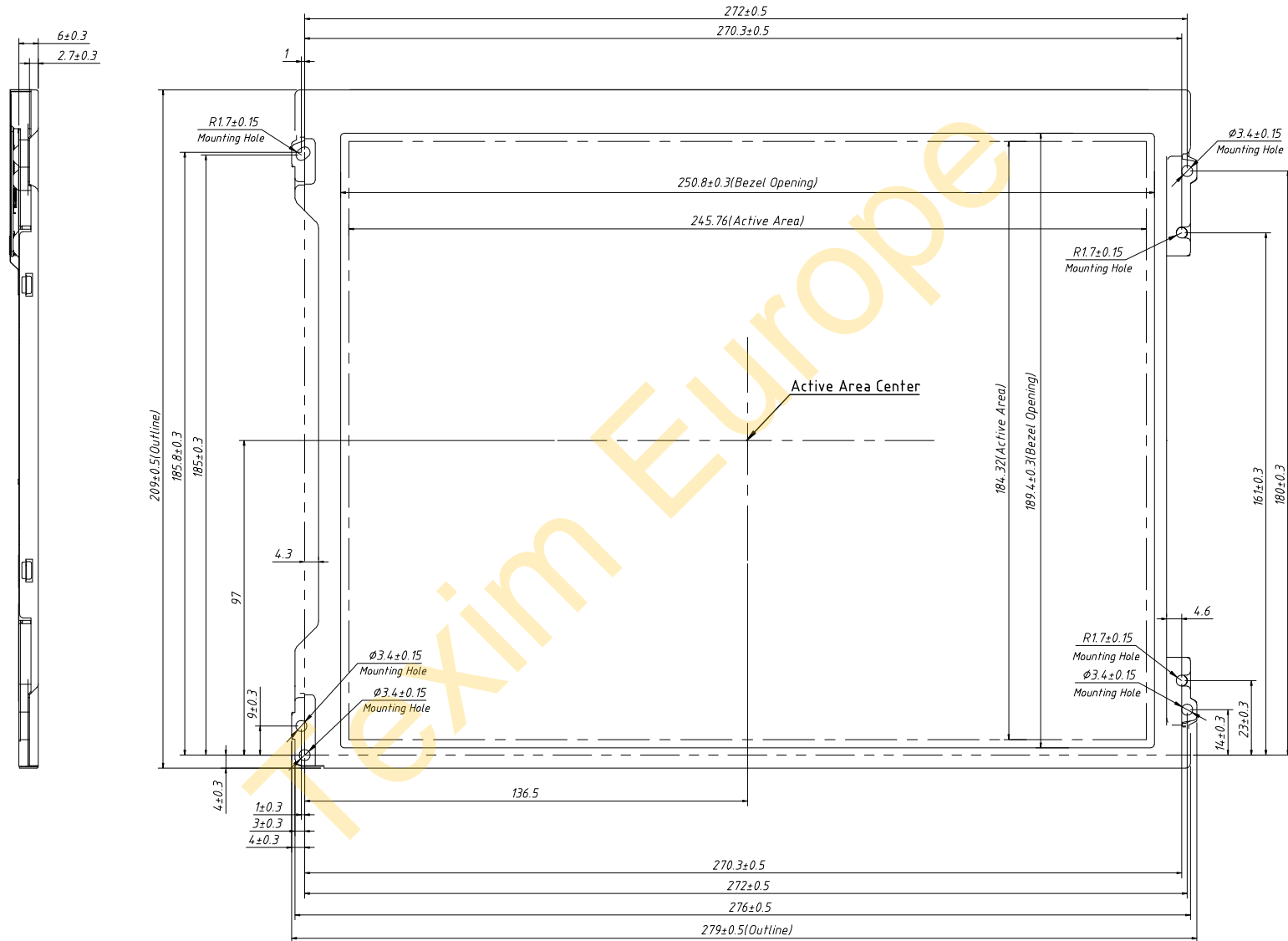
### 3.MECHANICAL SPECIFICATIONS

(1)	Number Of Dots (Dots)	1024(R.G.B) X 768
(2)	Module Size(mm)	279.0(H) X 209.0(V) X 9 (D)
(3)	Active Area(mm)	245.76(H) X 184.32(V)
(4)	Pixel Pitch(mm)	0.24 (H) X 0.24(V)
(5)	LCD / Polarizer Model	TFT , Transmissive, Normally/White
(6)	Backlight Color	White,LED
(7)	Viewing Direction	CNN
(8)	Gray Scale Inversion Direction	12 O'clock
(9)	Electrical Interface	LVDS Interface
(10)	Color Configuration	R.G.B. Vertical Stripe
(11)	Module Weight(g)	545 (Max)

Note 1. Viewing direction for best image quality is different from TFT definition, there is the 180 degrees shift.

1	2	3	4
文件題目	圖號	頁	次頁
發行日	舊版日	登入號碼	機密等級

7		8 樣式 QT3-RD-E-0004-003	
No.	修訂區塊	修訂內容	作成 修訂日期
		新版	Alan



4. OUTLINE DIMENSIONS

C

D

E

F

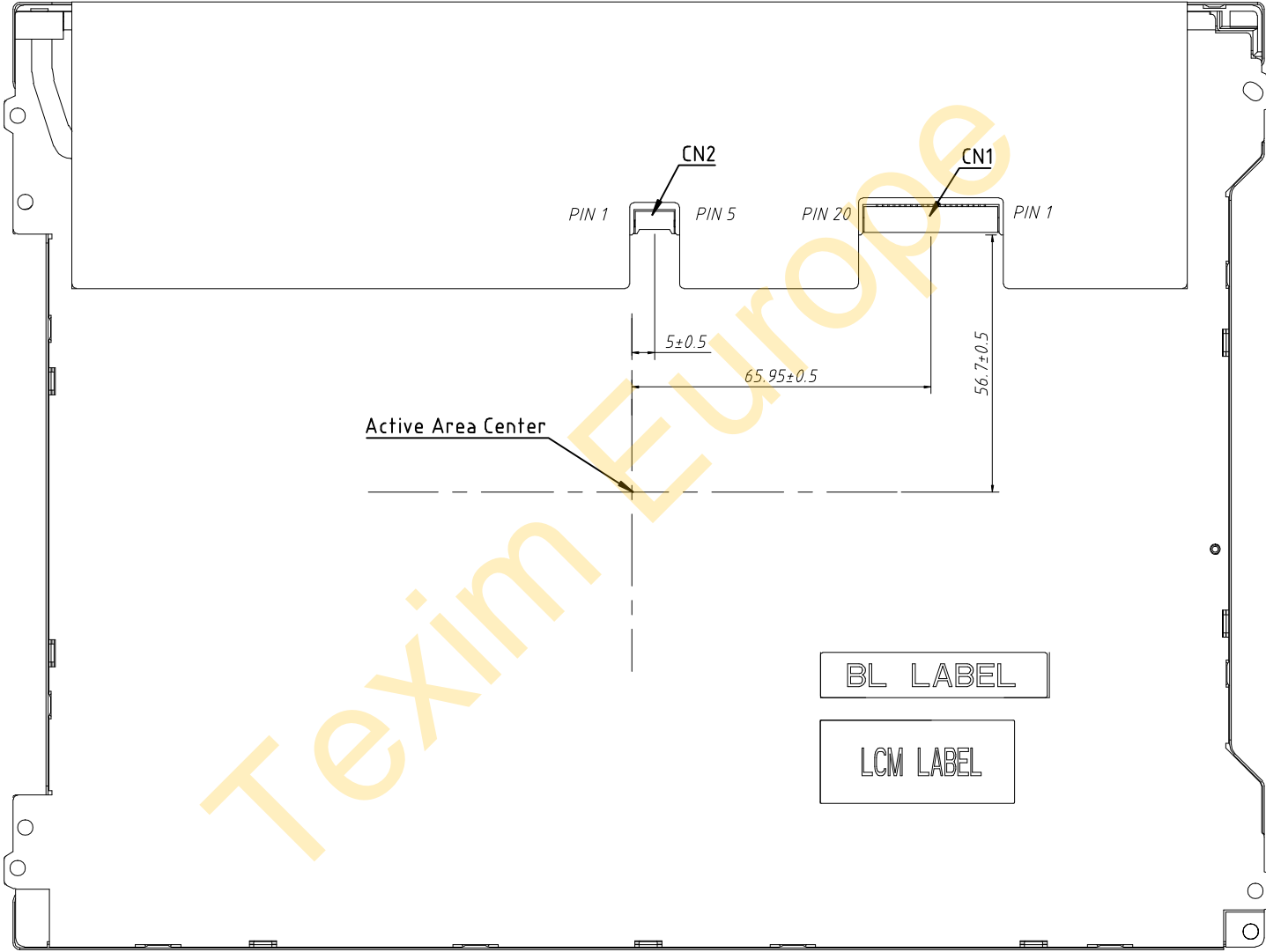
2

備考	單位: mm		投影法:	比例尺: 1:1
入庫	製圖 Alan	160810	名稱: 12" LCM	圖號 CH121ILGL-004
	審查			
	承認			

1	2	3	4
文件題目	圖號	頁	次頁
發行日	舊版日	登入號碼	機密等級

7			8 樣式 QT3-RD-E-0004-003	
No.	修訂區塊	修訂內容	作成	修訂日期
		新版	Alan	

9(Max.)  
6±0.3  
2.7±0.3



3

備考	單位:mm		投影法:	比例尺: 1:1
入庫	製圖 Alan	160810	名稱: 12" LCM	圖號 CH121ILGL-004
	審查			
	承認			

## 5. INTERFACE PIN CONNECTION

### 5.1 LCM PANEL DRIVING SECTION

Connector: MSB240420HE or Equivalent

PIN NO.	SYMBOL	FUNCTION	REMARK
1	VDD	Power Supply, 3.3V (typical)	
2	VDD	Power Supply, 3.3V (typical)	
3	VSS	Ground	
4	REV	Reverse Scan selection	Note 1
5	Rin1-	-LVDS differential data input	
6	Rin1+	+LVDS differential data input	
7	VSS	Ground	
8	Rin2-	-LVDS differential data input	
9	Rin2+	+LVDS differential data input	
10	VSS	Ground	
11	Rin3-	-LVDS differential data input	
12	Rin3+	+LVDS differential data input	
13	VSS	Ground	
14	CIkIN-	-LVDS differential clock input	
15	CIkIN+	+LVDS differential clock input	
16	VSS	Ground	
17	Rin4-	-LVDS differential data input	
18	Rin4+	+VDS differential data input	
19	SEL	6/8 bits LVDS data input selection(H:8bit)	
20	NC	Not connect	

Note 1: I REV = LOW/NC

Gate Scan :

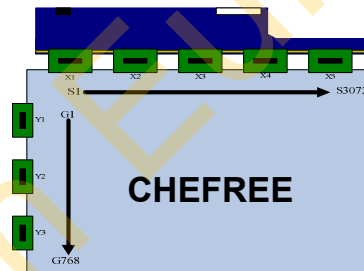
Y1→Y2→Y3

Y1 : G1→G2- - - -→G258

Source Scan :

X1→X2→X3→X4→X5

X1: S1→S2- - - -→S600



II REV = High

Gate Scan :

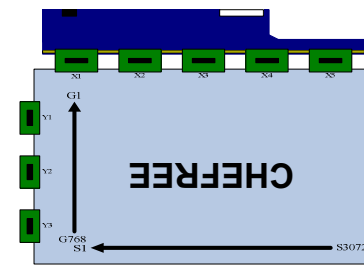
Y3→Y2→Y1

Y1 : G258→G257- - - -→G1

Source Scan :

X5→X4→X3→X2→X1

X1: S600→S599- - - -→S1

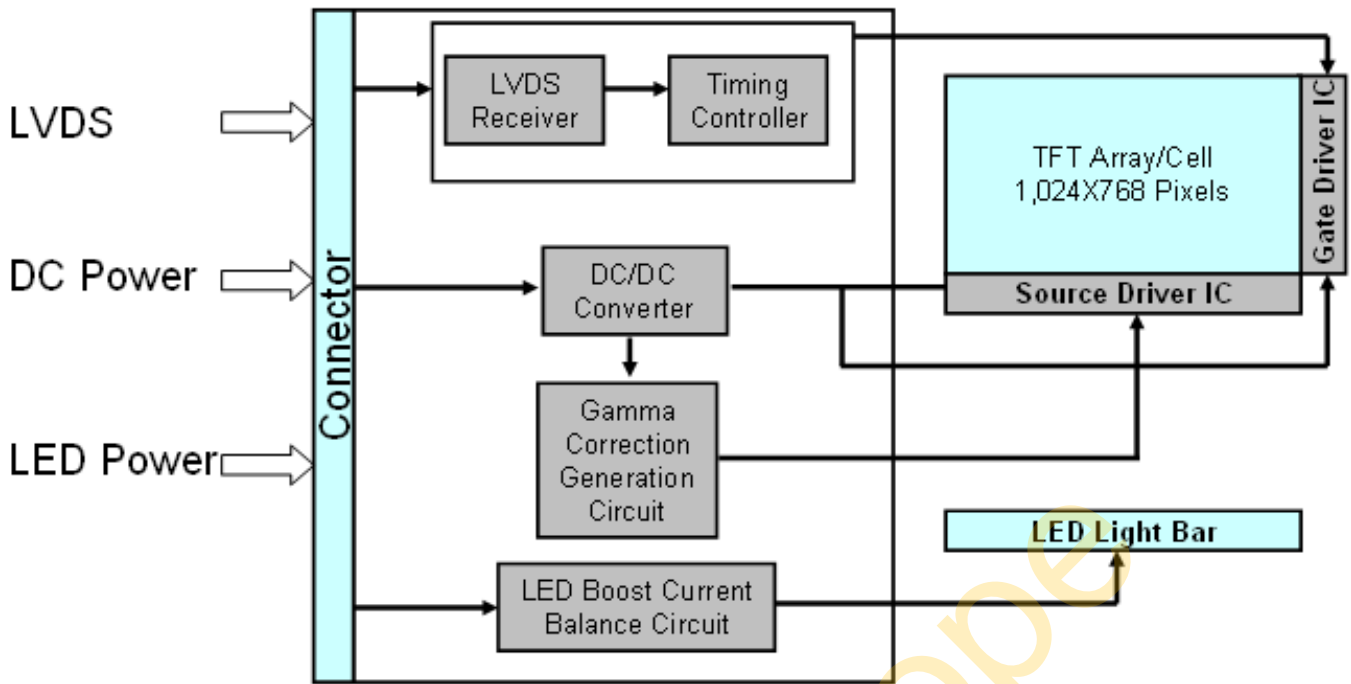


### 5.2 LED INTERFACE CONNECTOR

Connector: 3808K-F05N-02R or Equivalent

PIN NO.	SYMBOL	FUNCTION	REMARK
1	VCC	12V	
2	GND	GND	
3	Enable	5V-On / 0V-Off	
4	Dimming	PWM Dimming	
5	NC	Not connect	

## 6. BLOCK DIAGRAM



## 7. ABSOLUTE MAXIMUM RATINGS

### 7.1 ELECTRICAL ABSOLUTE MAXIMUM RATINGS

ITEM	SYMBOL	MIN.	MAX.	UNIT	REMARK
Power Voltage	VDD	-0.5	5	V	

### 7.2 ENVIRONMENTAL ABSOLUTE MAXIMUM RATINGS

ITEM	OPERATING		STORAGE		REMARK
	MIN.	MAX.	MIN.	MAX.	
Ambient Temperature(°C)	-20	70	-30	80	Note 1,2,3
Humidity(% RH)	10	85	10	95	Note 4

Note 1 : The response time will become lower when operated at low temperature.

Note 2 : Background color changes slightly depending on ambient temperature.

Note 3 : Operation  $T_a=70^{\circ}\text{C}$  &  $-20^{\circ}\text{C} \leq 240\text{Hrs}$ .

Note 4 : Operation  $T_a=50^{\circ}\text{C}$  &  $\text{RH}=85\% \leq 240\text{Hrs}$ .

Note 5 : Please make sure to keep the temperature of LCD module is less than  $70^{\circ}\text{C}$

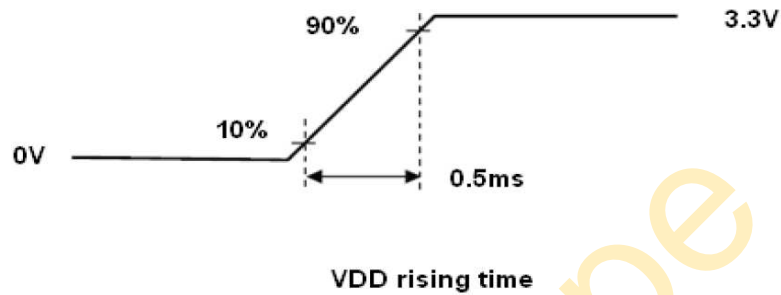
# 8.ELECTRICAL CHARACTERISTICS

## 8.1 ELECTRICAL CHARACTERISTICS OF LCD

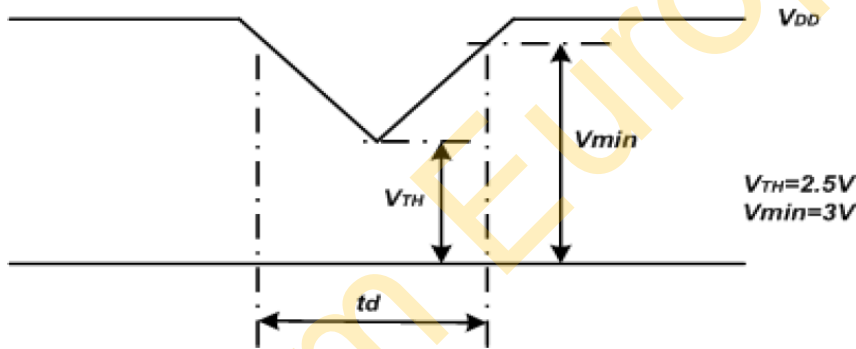
Ta=25°C

ITEM	SYMBOL	MIN.	TYP.	MAX.	UNIT	REMARK
Power Voltage For LCD	VDD	3.0	3.3	3.6	V	-
	IDD	-	-	250	mA	3.3V/Black pattern
	PDD	-	-	0.825	W	Black Pattern, 60Hz
	Irush	-	-	3	A	Note1
	VDDrp	-	-	200	[mV]p-p	Note2

Note 1: Measure Condition



Note 2: VDD Power Dip Condition



If  $V_{TH} < VDD \leq V_{min}$ , then  $t_d \leq 10ms$ ; When the voltage return to normal our panel must revive automatically.

## 8.2 BACKLIGHT CHARACTERISTICS

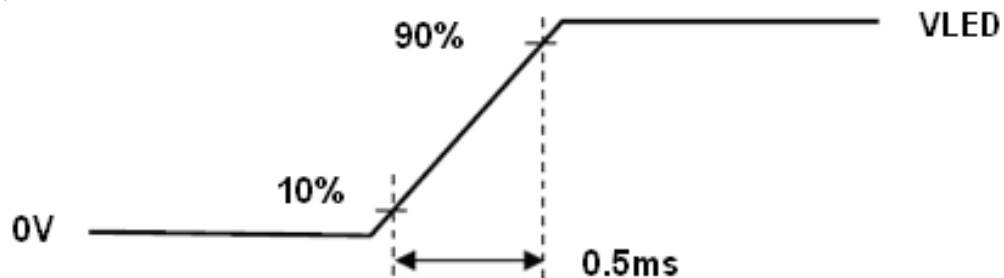
Ta=25°C

Item	Symbol	Min.	Typ.	Max.	Units	Note	
LED Input Voltage	$V_{LED}$	10.8	12	12.6	V	(2)	
LED Power Consumption	$P_{LED}$	-	-	(6.05)	W	(2)	
LED Forward Voltage	$V_F$	-	3.3	-	V	(2)	
LED Forward Current	$I_F$	-	60	-	mA		
PWM Signal Voltage	$V_{PWM\_EN}$	High	4.5	5	5.5		V
		Low	0	-	0.4		
LED Enable Voltage	$V_{LED\_EN}$	High	2.0	5	5.5		V
		Low	0	-	0.4		
Input PWM Frequency	FPWM	200	-	20K	Hz		
LED Life Time	LT	30,000	-	-	Hours	(1)(2)	
Duty Ratio	PWM	5	-	100	%	(2)	



Note 1: The LED life time define as the estimated time to 50% degradation of initial luminous.

Note 2: A higher LED power supply voltage will result in better power efficiency. Keep the VLED between 12V and 12.6V is strongly recommended.



VLED rising time

## 9.OPTICAL CHARACTERISTICS

Ta=25°C

ITEM	SYMBOL	CONDITIONS	MIN.	TYP.	MAX.	UNIT	REMARK
Contrast Ratio	CR		400	600	-	-	Note (1)
Response Time	TR		-	-	-	ms	Note (2)
	TF		-	-	-	ms	
	TR+TF		-	16	-	ms	
Chromaticity	White	Wx	0.255	0.305	0.355	-	Note (4)
		Wy	0.275	0.325	0.375	-	
	Red	Rx	0.601	0.631	0.661	-	
		Ry	0.324	0.354	0.384	-	
	Green	Gx	0.288	0.318	0.348	-	
		Gy	0.600	0.630	0.660	-	
Blue	Bx	0.117	0.147	0.177	-		
	By	0.045	0.075	0.105	-		
Viewing Angle	Hor.	$\Theta_{x+}$	80	-	-	Deg.	Note (3)
		$\Theta_{x-}$	80	-	-		
	Ver.	$\Theta_{y+}$	80	-	-		
		$\Theta_{y-}$	80	-	-		
Luminance	L	PWM=100%	(280)	350	-	cd/m <sup>2</sup>	
Uniformity			75	80		%	Note (5)

\*Note (1) Definition of Contrast Ratio (CR):

The contrast ratio can be calculated by the following expression.

$$\text{Contrast Ratio (CR)} = L_{63} / L_0$$

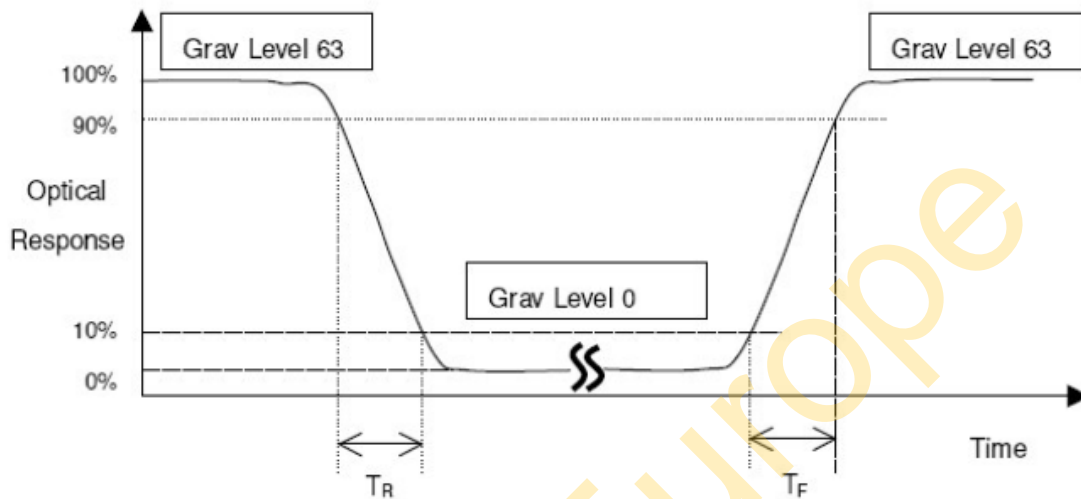
L63: Luminance of gray level 63

L 0: Luminance of gray level 0

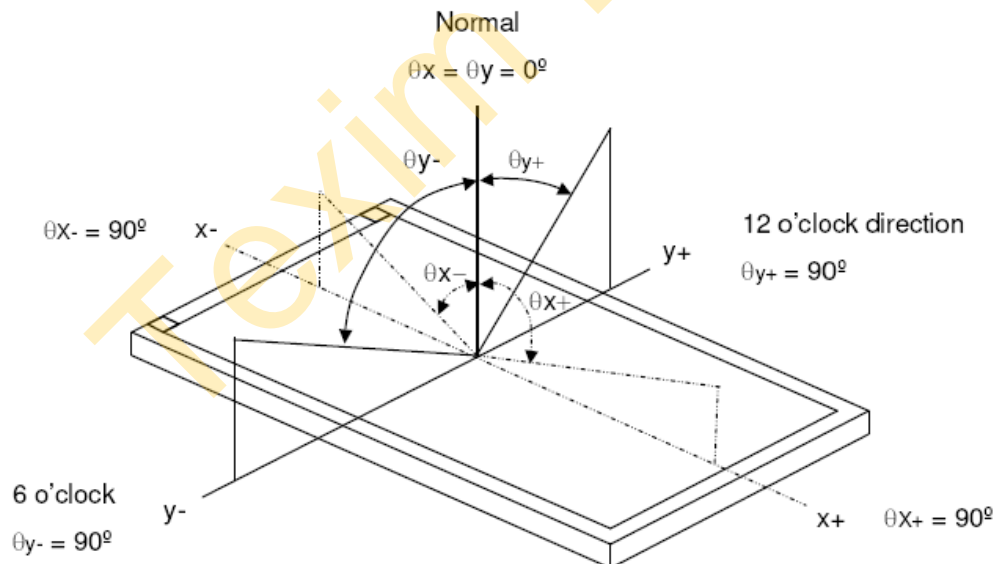
$$\text{CR} = \text{CR} (5)$$

CR (X) is corresponding to the Contrast Ratio of the point X at Figure in Note (5).

\*Note (2) Definition of Response Time ( $T_R$ ,  $T_F$ ):

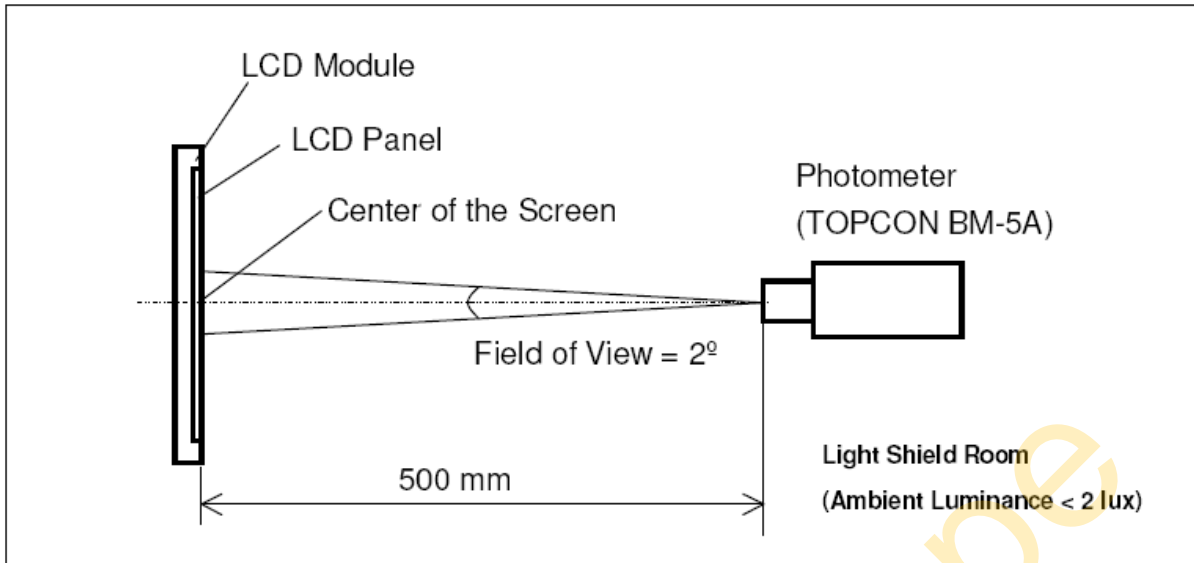


\*Note(3) Definition of Viewing Angle

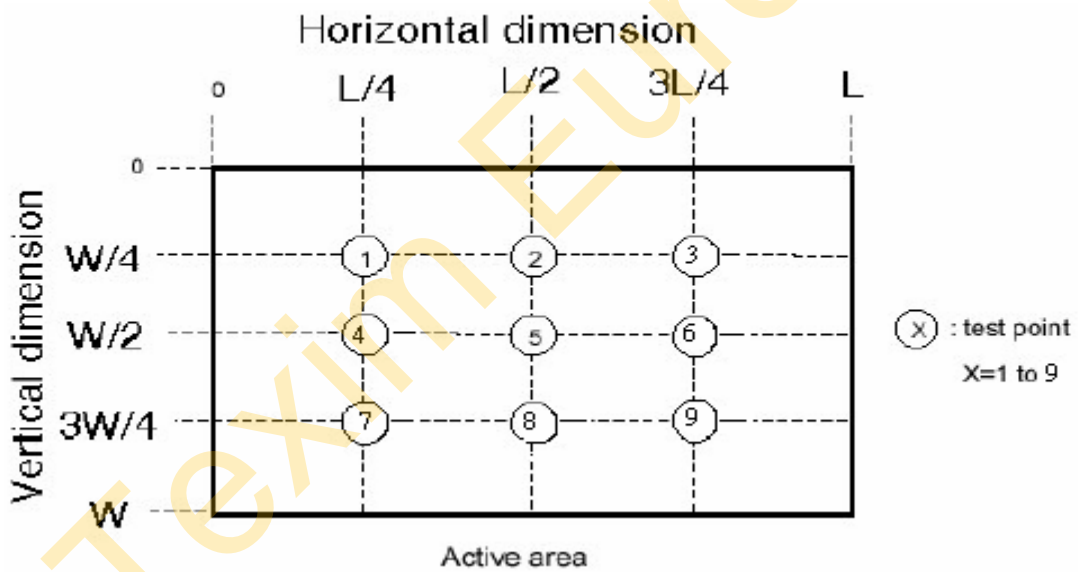


\*Note (4) Measurement Set-Up:

The LCD module should be stabilized at a given temperature for 20 minutes to avoid abrupt temperature change during measuring. In order to stabilize the luminance, the measurement should be executed after lighting Backlight for 20 minutes in a windless room.



\*Note (5)



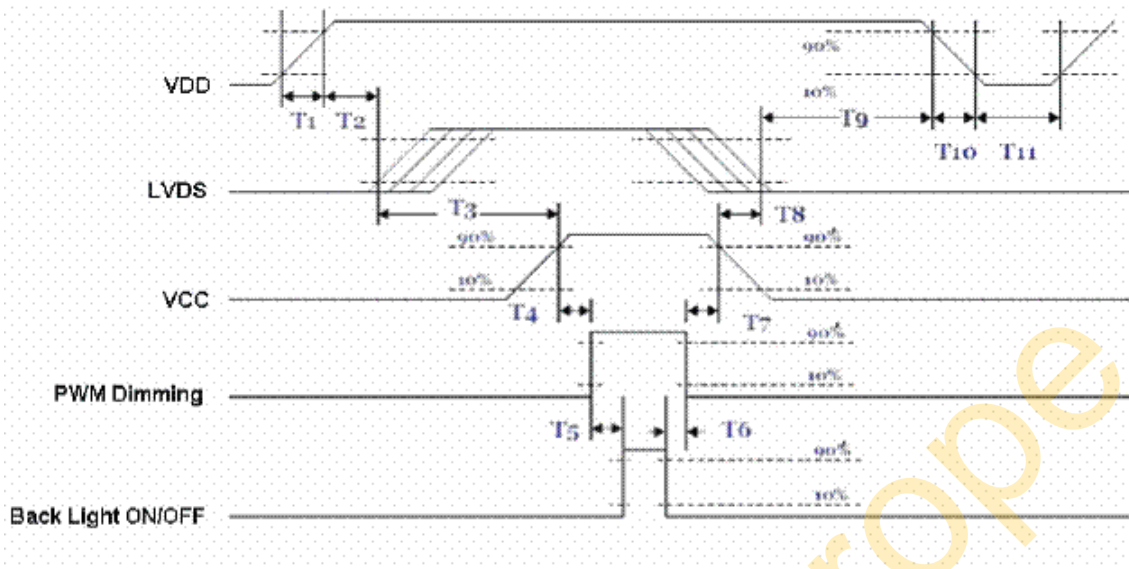
$$\left( 1 - \frac{\text{MAX Luminance} - \text{Average Luminance}}{\text{Average Luminance}} \right) \times 100\% > 75\%$$

## 10. TIMING SPECIFICATIONS

### 10.1 POWER SIGNAL SEQUENCE

VDD power on/off sequence is as follows. Interface signals are also shown in the chart. Signals from any system shall be Hi-Z state or low level when VDD is off. a. Power on sequence:

#### Power Sequence



Power ON/OFF sequence timing

Parameter	Value			Units
	Min.	Typ.	Max.	
T1	0.5	-	10	[ms]
T2	30	40	50	[ms]
T3	200	-	-	[ms]
T4	10	-	-	[ms]
T5	10	-	-	[ms]
T6	0	-	-	[ms]
T7	10	-	-	[ms]
T8	100	-	-	[ms]
T9	0	16	50	[ms]
T10	-	-	10	[ms]
T11	1000	-	-	[ms]

Note (1) Power On Sequence: VCC-> AVDD -> VGL -> VGH -> Data -> B/L

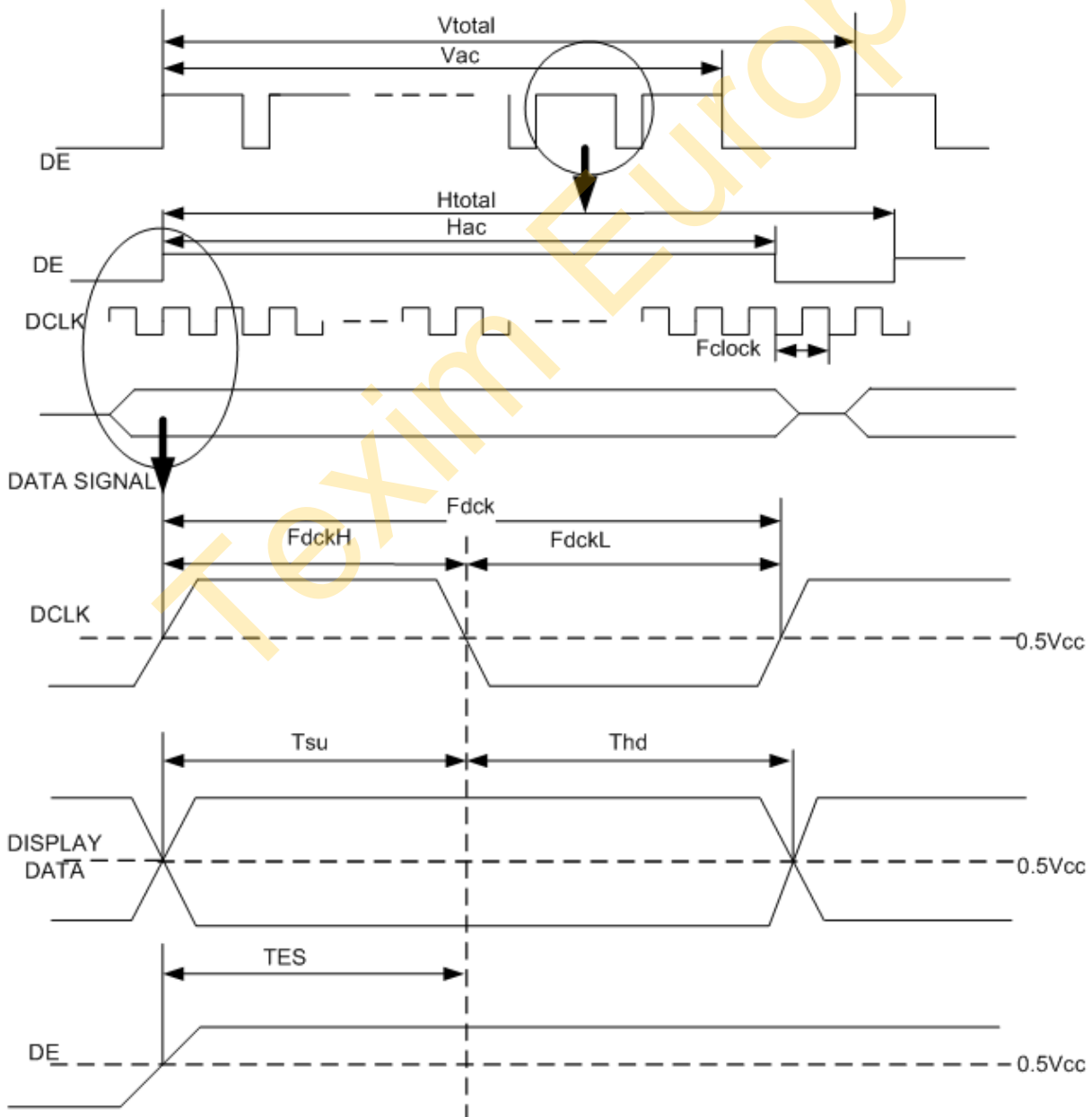
(2) Power Off Sequence: B/L-> Data -> VGH -> VGL -> AVDD -> VCC

## 10.2 TIMING CHARACTERISTICS

### 10.2.1. Interface Timings

Parameter	Symbol	Unit	Min.	Typ.	Max.
LVDS Clock Frequency	Fclk	MHz	-	65	-
H Total Time	HT	Clocks	-	1344	-
H Active Time	HA	Clocks	-	1024	-
H Blanking Time	HBL	Clocks	-	320	-
V Total Time	VT	Lines	-	806	-
V Active Time	VA	Lines	-	768	-
V Blanking Time	VBL	Lines	-	38	-
Frame Rate	Vsync	Hz	55	60	65

Note: H Blank area and V Blank area can not be changed at every frame



## 11. RELIABILITY TEST

ENVIRONMENTAL TEST FOR LCM					
NO.	ITEM		CONDITIONS	TIME PERIOD	REMARK
1	High Temperature Storage		80°C	240hrs	1,4,5,6,7,8
2	Low Temperature Storage		-30°C	240hrs	1,4,5,6,7,8
3	High Temperature Operation		70°C	240hrs	1,4,5,6,7,8
4	Low Temperature Operation		-20°C	240hrs	1,4,5,6,7,8
5	Temperature Cycle		-20°C ← 25°C → 70°C (30min) (5min) (30min)	100CYCLE	1,5,6,7,8
6	High Temperature Humidity Operation		50°C 85%RH	240hrs	1,5,6,7,8
7	Thermal Shock Non-operation Test		-30°C~80°C, 1hr/each cycle,100cycles	-	1,5,6,7,8
8	Vibration Test		1.5G , 10~500 Hz, 1hrs , each axis(XYZ)	-	1,7,8
9	ESD Test	operating	Contact ± 8 KV Air ± 15 KV	-	2,4,5,7,8
		non-operating	Contact ± 10 KV Air ± 20 KV		
10	Image Sticking test		5*7 Chess pattern ; 1、Normal temperature : 50% Grayscale , 2h 10s/4h 10s/8h 2min/24h 5min ND 8%OK 2、high temperature 70°C : 50% Grayscale , 2h 10s/4h 10s/8h 2min/24h 10min ND 8% OK		3,4,6,7,8

Note:

1. There is no function defect and occurrence of any new defective shall not be allowed.
2. In case of malfunction defect caused by ESD damage. If it would be recovered to normal state after resetting, it would be judge as pass.
3. 25°C: Image Sticking is not visible through 8% ND filter after 5 min with pattern L127. 70°C: Image Sticking is not visible through 8% ND filter after 10 min with pattern L127.
4. In Operating test, the B/L voltage and current must be in spec.
5. All the judgments are under normal temperature and the sample need to be static more than 2 hours in the normal temperature before judge.
6. During measurement, the condensation water or remains shall not be allowed.
7. The minimum sample quantity of test is 3pcs.
8. There is no display function fail issue occurred, all the cosmetic specification is judged before the reliability stress.

## 12. PRECAUTIONS FOR USE

### 12.1 Safety

- (1) Do not swallow any liquid crystal, even if there is no proof that liquid crystal is poisonous.
- (2) If the LCD panel breaks, be careful not to get liquid crystal to touch your skin.
- (3) If skin is exposed to liquid crystal, wash the area thoroughly with alcohol or soap.

### 12.2 Storage Conditions

- (1) Store the panel or module in a dark place where the temperature is  $23\pm 5^{\circ}\text{C}$  and the humidity is below  $50\pm 20\%\text{RH}$ .
- (2) Store in anti-static electricity container.
- (3) Store in clean environment, free from dust, active gas, and solvent.
- (4) Do not place the module near organics solvents or corrosive gases.
- (5) Do not crush, shake, or jolt the module.

### 12.3 Handling Precautions

- (1) Avoid static electricity which can damage the CMOS LSI.
- (2) The polarizing plate of the display is very fragile. So, please handle it very carefully.
- (3) Do not give external shock.
- (4) Do not apply excessive force on the surface.
- (5) Do not wipe the polarizing plate with a dry cloth, as it may easily scratch the Surface of plate.
- (6) Do not use ketonics solvent & Aromatic solvent, use with a soft cloth soaked with a cleaning naphtha solvent.
- (7) Do not operate it above the absolute maximum rating.
- (8) Do not remove the panel or frame from the module.
- (9) When the module is assembled, it should be attached to the system firmly, Be careful not to twist and bend the module.
- (10) Wipe off water droplets or oil immediately . If you leave the droplets for a long time, staining and discoloration may occur.
- (11) If the liquid crystal material leaks from the panel, it should be kept away from the eyes or mouth. In case of contact with hands, legs or clothes, it must be washed away thoroughly with soap.

### 12.4 Warranty

#### (1) Acceptance inspection period

The period is within one month after the arrival of contracted commodity at the buyer's factory site.

#### (2) Applicable warrant period

The period is within 12 months since the date of shipping out under normal using and storage conditions.