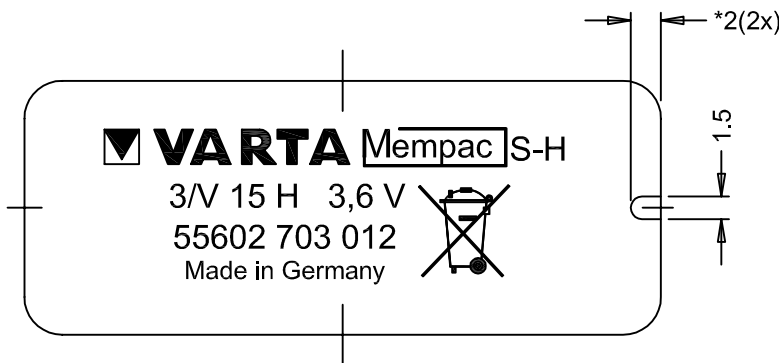
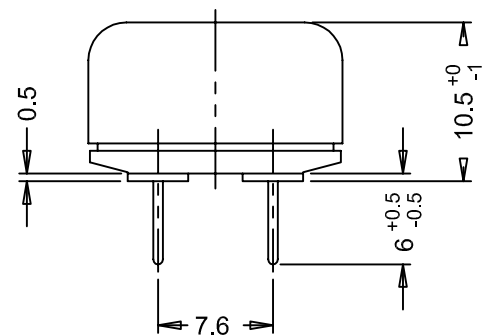
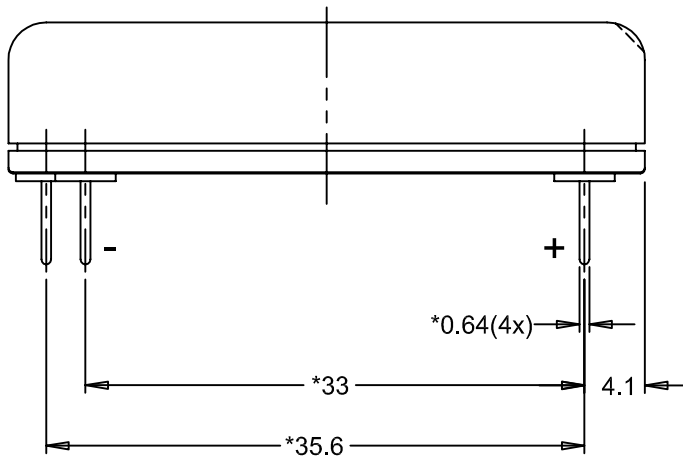
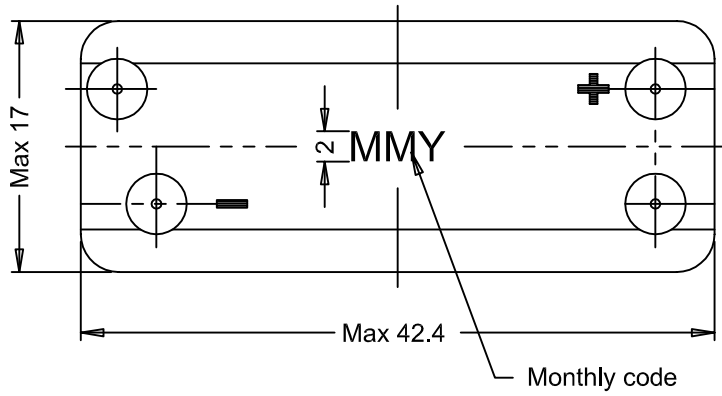


This is a controlled document.  
 Hardcopy to be endorsed by authorised person.  
 Check with Issuing Officer or SAP system for latest update.



Note : \* Dimensions for reference only

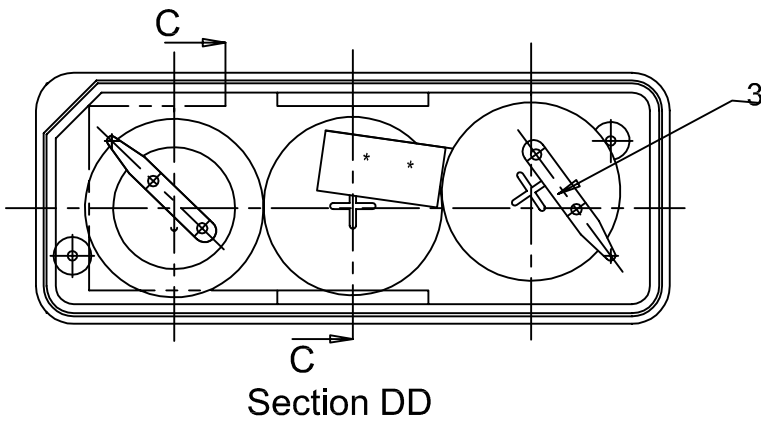
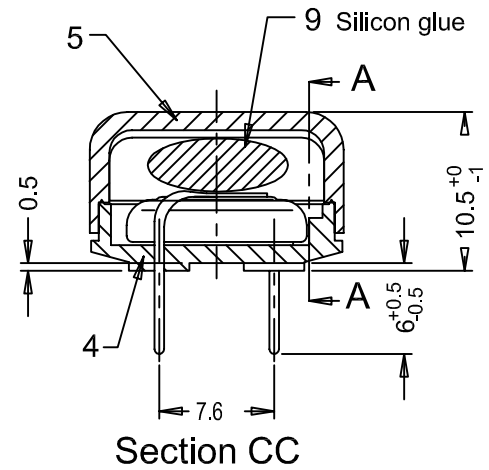
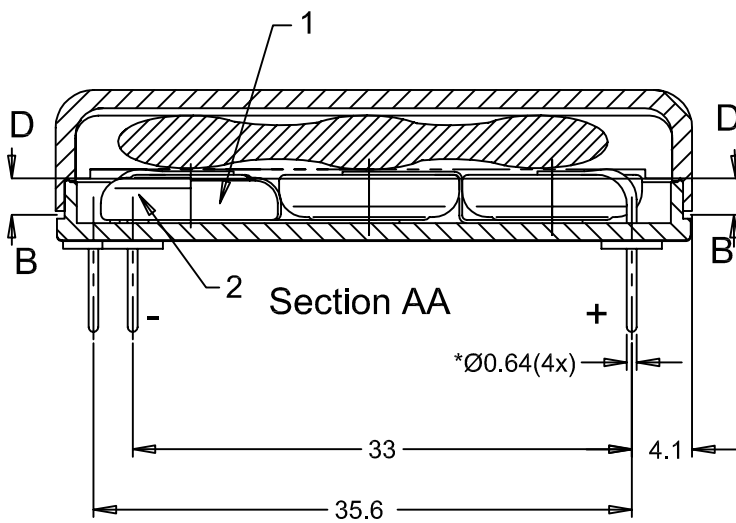
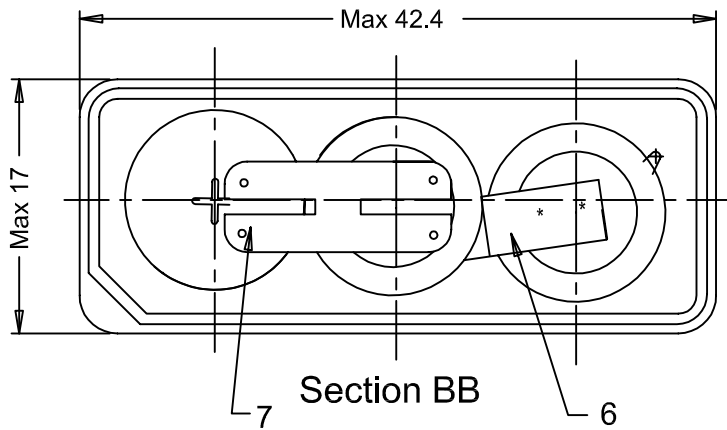
No	AO No	Revisions	Date	Name
3	12-R027	Change date code format from Quarterly (QQY) to Monthly (MMY) & add crossed-out wheeled bin logo	2012-02-17	TitisWS
2	217/00	Change foam to silicon glue	2000-09-07	Yeni
1	331/98	To change tag from # 075605 to # 011100	1998-09-16	Tatang

<b>Projection:</b>		<b>Material:</b> Refer to part list no: 071074		<b>Description:</b> 3/V15H battery "Mempac S-H"		
<b>Dimensions in mm</b>		<b>Prepared &amp; Checked</b> 1998-03-13 TitisWS		<b>Verified &amp; Approved</b>		<b>Dwg. No:</b> 071074 (sheet 1 of 2)
<b>Tolerance:</b> As specified		<b>Scale:</b> 2 : 1		<b>VKB Order No:</b> 55602 703 012		403

Rights reserved to make technical changes, as a result of further development, without notice. This drawing is the property of VARTA Microbattery and must not be copied or disclosed to a third party without the written consent of VARTA Microbattery.



This is a controlled document.  
 Hardcopy to be endorsed by authorised person.  
 Check with Issuing Officer or SAP system for latest update.



Note : \* Dimensions for reference only

No	AO No	Revisions	Date	Name
3	12-R027	Change date code format from Quarterly (QQY) to Monthly (MMY) & add crossed-out wheeled bin logo	2012-02-17	TitisWS
2	217/00	Change foam to silicon glue	2000-09-07	Yeni
1	331/98	To change tag from # 075605 to # 011100	1998-09-16	Tatang

Projection:		<b>Material:</b> Refer to part list no: 071074		<b>Description:</b> 3/V15H battery "Mempac S-H"		
Dimensions in mm		Prepared & Checked 1998-03-13 TitisWS		Verified & Approved		Dwg. No: 071074 (sheet 2 of 2) 403 VKB Order No: 55602 703 012
Tolerance: As specified Scale: 2 : 1						

Rights reserved to make technical changes, as a result of further development, without notice. This drawing is the property of VARTA Microbattery and must not be copied or disclosed to a third party without the written consent of VARTA Microbattery.



## The Netherlands



Elektrostraat 17  
NL-7483 PG Haaksbergen

T: +31 (0)53 573 33 33  
F: +31 (0)53 573 33 30  
E: [nl@texim-europe.com](mailto:nl@texim-europe.com)

## Belgium



Zuiderlaan 14 bus 10  
B-1731 Zellik

T: +32 (0)2 462 01 00  
F: +32 (0)2 462 01 25  
E: [belgium@texim-europe.com](mailto:belgium@texim-europe.com)

## UK & Ireland



St. Mary's House, Church Lane  
Carlton Le Moorland  
Lincoln LN5 9HS

T: +44 (0)1522 789 555  
F: +44 (0)845 299 22 26  
E: [uk@texim-europe.com](mailto:uk@texim-europe.com)

## Germany North



Bahnhofstrasse 92  
D-25451 Quickborn

T: +49 (0)4106 627 07-0  
F: +49 (0)4106 627 07-20  
E: [germany@texim-europe.com](mailto:germany@texim-europe.com)

## Germany South



Martin-Kollar-Strasse 9  
D-81829 München

T: +49 (0)89 436 086-0  
F: +49 (0)89 436 086-19  
E: [germany@texim-europe.com](mailto:germany@texim-europe.com)

## Austria



Warwitzstrasse 9  
A-5020 Salzburg

T: +43 (0)662 216 026  
F: +43 (0)662 216 026-66  
E: [austria@texim-europe.com](mailto:austria@texim-europe.com)

## Nordic region



Sdr. Jagtvej 12  
DK-2970 Hørsholm

T: +45 88 20 26 30  
F: +45 88 20 26 39  
E: [nordic@texim-europe.com](mailto:nordic@texim-europe.com)

## General information



[info@texim-europe.com](mailto:info@texim-europe.com)  
[www.texim-europe.com](http://www.texim-europe.com)