

TEP-0700-IMX7



Main Features

- TEP-0700-IMX7 is a high performance, scalable, fanless HMI based on a single/dual core ARM Cortex-A7 + M4 NXP i.MX7 applications processor.
- 7 inch Projective Capacitive (multitouch) high resolution (800 x 480), bright (400 nits) widescreen LCD with LED backlight.
- 2x CAN Bus and 2x Serial RS-232 ports.
- USB 2.0 Host, USB 2.0 OTG, microSD cardslot and 8x GPIO.
- Customizable to fit your application.
- Available with brushed aluminum bezel.

Specifications



Core System

Processor	NXP i.MX7 Solo NXP i.MX7 Dual
Architecture	ARM Cortex-A7 + M4
PMIC	NXP PF3000
Memory	up to 2GB DDR3L
Storage	eMMC (4GB Default)

Connectivity

Network LAN	2x Atheros AR8035 Gigabit LAN
Power over Ethernet	PoE function 802.3at (optional)

External Connectors

Network	2x RJ45
USB	1x USB 2.0 Host 1x USB 2.0 OTG (Type-C)
CAN Bus	2x Flex CAN version 2.0B compliant
Serial	2x RS-232
GPIO	8x GPIO
Buttons	1x Boot Select 1x Reset
SIM Cardslot	1x Nano-SIM cardslot
SD Cardslot	1x microSD cardslot

Display

LCD	7 inch widescreen LCD with LED backlight
Resolution	800 x 480 pixels
Luminance	400 cd/m ²
Maximum Colors	16.7 million
Touchscreen	Projective Capacitive (multitouch)

Power Specifications

Power Input	Available with 12V 24V 8-36V (wide power input)
Power Over Ethernet	PoE function 802.3at (optional)
Power Connector	2-pin Micro-Fit 3.0
Power Consumption	Depending on Configuration

Operation Systems

Standard Support	Linux Yocto Ubuntu
Extended Support	Commercial Linux

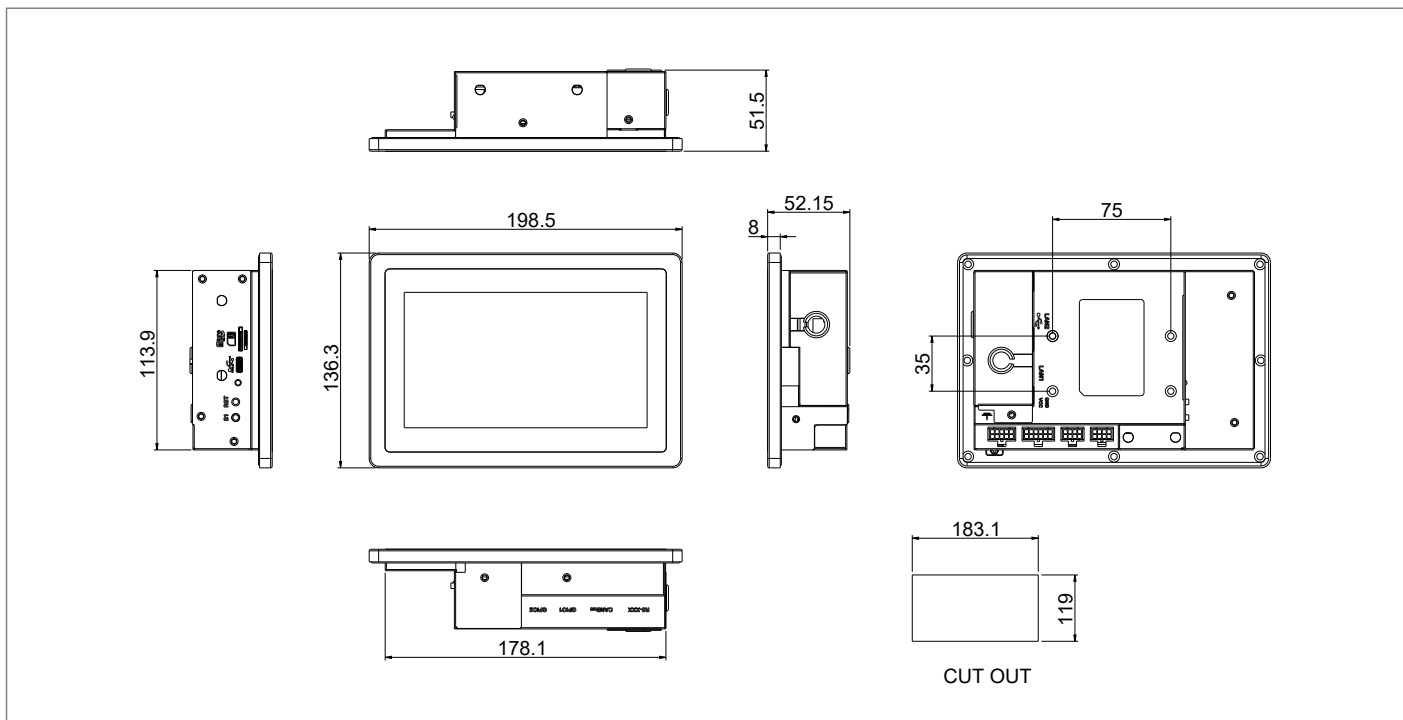
Distributed by:



www.texim-europe.com

Dimensions

(units in mm)



Environmental and Mechanical

Enclosure Material	Metal
Front Bezel	Brushed Anodized Aluminium
IP Rating	IP65 Front
Dimensions	198 (W) x 136 (H) x 52 (D) mm
Weight	945 grams
Temperature	Commercial: 0° to +50° C
Relative Humidity	10 to 90 %
MTBF	50 000 Hours
Shock	15G half-sine 11 ms duration
Vibration	1 Grms random 5-500Hz hr/axis
Certification	Compliant with CE / FCC / RoHS / REACH directives

Modular Expansion Options

Power Expansion Module	TXB-P1-12V-LAN1 (12V 3A) TXB-P1-24V-LAN1 (24V 3A) TXB-P1-1030V-LAN1 (8-36V 5A) TXB-P1-12V-POE1 (12V 3A) or (PoE 802.3at)
------------------------	---

Mounting Options

VESA Mounting	35*75 VESA MIS C. Standard (separate purchase)
Surface Mounting	4 mounting holes

Ordering Information

TEP0700-IMX7x-Rxx-Exx-Lxxx-xxxx

	Code	Description
Processor	IMX7S	NXP i.MX7Solo
	IMX7D	NXP i.MX7Dual
Memory	R05	512MB DDR3L
	R10	1GB DDR3L
	R20	2GB DDR3L
Storage	E04	eMMC capacity in Gigabytes E04 = 4GB / E08 = 8GB / E16 = 16GB E32 = 32GB / E64 = 64GB /
Power Expansion	L112	TXB-P1-12V-LAN1 (12V 3A)
	L124	TXB-P1-24V-LAN1 (24V 3A)
	L130	TXB-P1-1030V-LAN1 (8-36V 5A)
	LPOE	TXB-P1-12V-POE1 (12V 3A) or (PoE 802.3at)
Custom ID	XXXX	Custom Part number ID for customized Software loader and special component (BOM)

* Feel free to contact us for customization requests.

The Netherlands



Elektrostraat 17
NL-7483 PG Haaksbergen

T: +31 (0)53 573 33 33
F: +31 (0)53 573 33 30
E: nl@texim-europe.com

Belgium



Zuiderlaan 14 bus 10
B-1731 Zellik

T: +32 (0)2 462 01 00
F: +32 (0)2 462 01 25
E: belgium@texim-europe.com

UK & Ireland



St. Mary's House, Church Lane
Carlton Le Moorland
Lincoln LN5 9HS

T: +44 (0)1522 789 555
F: +44 (0)845 299 22 26
E: uk@texim-europe.com

Germany North



Bahnhofstrasse 92
D-25451 Quickborn

T: +49 (0)4106 627 07-0
F: +49 (0)4106 627 07-20
E: germany@texim-europe.com

Germany South



Martin-Kollar-Strasse 9
D-81829 München

T: +49 (0)89 436 086-0
F: +49 (0)89 436 086-19
E: germany@texim-europe.com

Austria



Warwitzstrasse 9
A-5020 Salzburg

T: +43 (0)662 216 026
F: +43 (0)662 216 026-66
E: austria@texim-europe.com

Nordic region



Sdr. Jagtvej 12
DK-2970 Hørsholm

T: +45 88 20 26 30
F: +45 88 20 26 39
E: nordic@texim-europe.com

General information



info@texim-europe.com
www.texim-europe.com