



# OPERATING & ASSEMBLY INSTRUCTION

## NAC3FPX-TOP & NAC3FPX-WOT-TOP

### powerCON® TRUE1 TOP | APPLIANCE OUTLET

## OPERATING INSTRUCTION

### Application:

The powerCON TRUE1 system is certified as a connector with breaking capacity according IEC 60320, VDE 0625. It is intended for use as an appliance coupler and interconnection coupler. It serves to supply power to an appliance and from an appliance to other equipment. To be installed by qualified person only.

### CONNECTOR ASSIGNMENT:

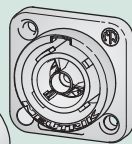
#### APPLIANCE INLET

NAC3MPX-TOP  
NAC3MPX-WOT-TOP  
**Power IN** ▶



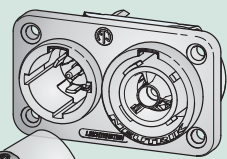
#### APPLIANCE OUTLET

NAC3FPX-TOP  
NAC3FPX-WOT-TOP  
NAC3FPX-ST-TOP  
**Power OUT** ◀

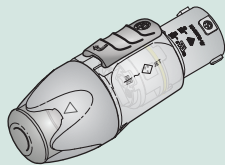


#### APPLIANCE INLET / OUTLET ▶ Combination

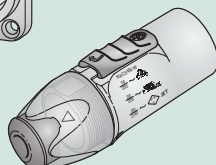
NAC3PX-TOP  
**Power IN** ▶



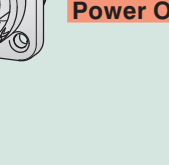
**Power OUT** ◀



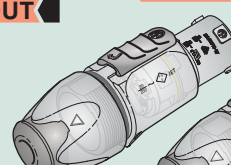
NAC3FX-W-TOP  
(Connector)



NAC3MX-W-TOP  
(Plug connector)



NAC3FX-W-TOP  
(Connector)



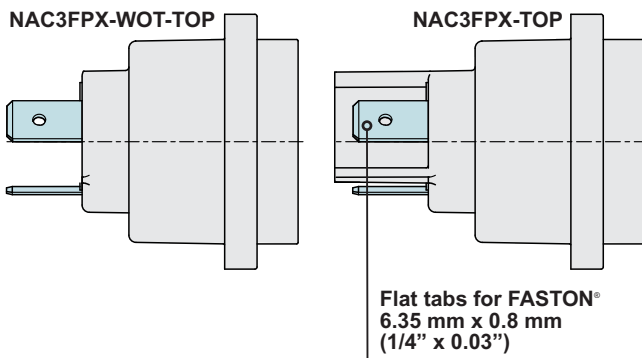
NAC3MX-W-TOP  
(Plug connector)

powerCON TRUE1 TOP line is full backward compatible with the preceding powerCON TRUE1 products.

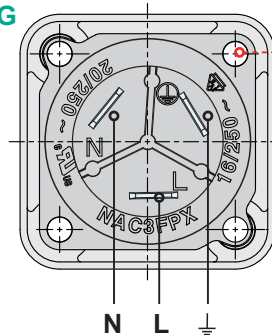
### UL50E environmental rating

Enclosure Type 4 when installed with sealing cover SCNAC-FPX and cover closed or when mated with attachment plug NAC3MX-W-TOP.

## ASSEMBLY INSTRUCTION

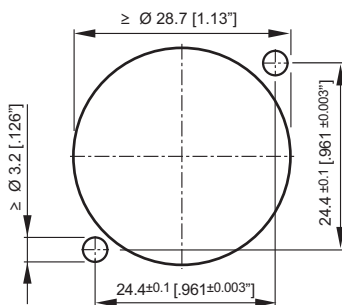


### WIRING



**Attention:**  
Tightening torque  
 $M_A = 40 \text{ Ncm}$ .

### Panel Cutout (Rear Side)



Find more details of powerCON TRUE1 TOP on [www.neutrik.com](http://www.neutrik.com).

Neutrik AG LI T: +423 / 237 24 24 F: +423/232 53 93  
Neutrik USA Inc. USA T: +1 704 / 972 3050 F: +1 704/438 9202  
Neutrik (UK) Ltd. UK T: +44 1983 / 811 441 F: +44 1983/811 439  
Neutrik Vertriebs GmbH DE/NL/AT/DK T: +49 8131 / 280 890 F: +49 8131/280 830

Neutrik France FR T: +33 1/4131 6750 F: +33 1/4131 0511  
Neutrik Tokyo Ltd. JP T: +81 3/3663 4733 F: +81 3/3663 4796  
Neutrik Hong Kong Ltd. HK T: +852/2687 6055 F: +852/2687 6052  
Neutrik India Pvt. Ltd. IND T: +91/982 05 43 424 F: +91/22 26163 540

Draft. Nr.: BDA 545 | Update: 11.07.2018 | Data subject to change without prior notice. © 2018 NEUTRIK®, NEUTRIK® are registered trademark of NEUTRI AG. ALL RIGHTS RESERVED.

[www.neutrik.com](http://www.neutrik.com)

**NEUTRIK®**

## The Netherlands



Elektrostraat 17  
NL-7483 PG Haaksbergen

T: +31 (0)53 573 33 33  
F: +31 (0)53 573 33 30  
E: [nl@texim-europe.com](mailto:nl@texim-europe.com)

## Belgium



Zuiderlaan 14 bus 10  
B-1731 Zellik

T: +32 (0)2 462 01 00  
F: +32 (0)2 462 01 25  
E: [belgium@texim-europe.com](mailto:belgium@texim-europe.com)

## UK & Ireland



St. Mary's House, Church Lane  
Carlton Le Moorland  
Lincoln LN5 9HS

T: +44 (0)1522 789 555  
F: +44 (0)845 299 22 26  
E: [uk@texim-europe.com](mailto:uk@texim-europe.com)

## Germany North



Bahnhofstrasse 92  
D-25451 Quickborn

T: +49 (0)4106 627 07-0  
F: +49 (0)4106 627 07-20  
E: [germany@texim-europe.com](mailto:germany@texim-europe.com)

## Germany South



Martin-Kollar-Strasse 9  
D-81829 München

T: +49 (0)89 436 086-0  
F: +49 (0)89 436 086-19  
E: [germany@texim-europe.com](mailto:germany@texim-europe.com)

## Austria



Warwitzstrasse 9  
A-5020 Salzburg

T: +43 (0)662 216 026  
F: +43 (0)662 216 026-66  
E: [austria@texim-europe.com](mailto:austria@texim-europe.com)

## Nordic region



Sdr. Jagtvej 12  
DK-2970 Hørsholm

T: +45 88 20 26 30  
F: +45 88 20 26 39  
E: [nordic@texim-europe.com](mailto:nordic@texim-europe.com)

## Italy



Via Matteotti 43  
IT-20864 Agrate Brianza (MB)

T: +39 (0)395 967 226  
F: +39 (0)395 967 226  
E: [italy@texim-europe.com](mailto:italy@texim-europe.com)

## General information



[info@texim-europe.com](mailto:info@texim-europe.com)  
[www.texim-europe.com](http://www.texim-europe.com)