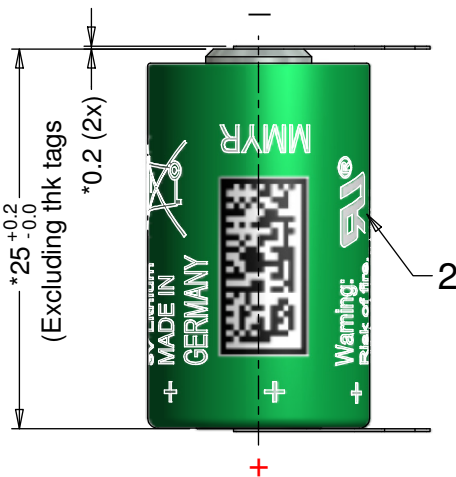
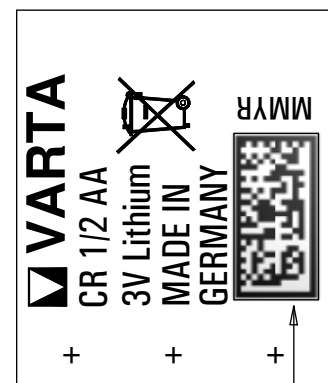


Rear Artwork

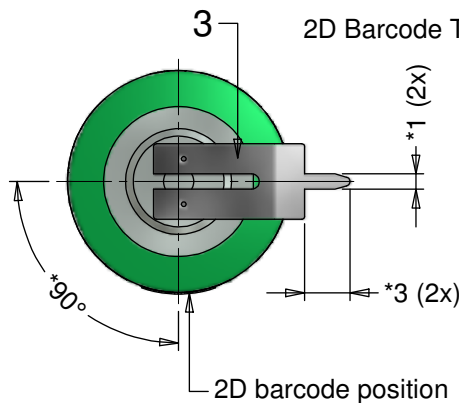


Front Artwork



A _ B _ C
 (**see note no.4)

2D Barcode Type : DataMatrix ECC 200



Approx. wt : 12 g

- Note : 1) *Dimensions for reference only
 2) Use UL approved green shrink sleeve
 3) For customer specific.
 4) **Contents with 2D barcode
 A - Battery Work Order No. (WO)
 B - Monthly Battery Assembly Code (MMYR)
 C - VARTA internal reference only

No	AO No	Revision	Date	Name
2	17-R474	Added 2D barcode in printed sleeve	2017-09-26	Jadi
1	15-R012	Update UR logo according to latest International standard UR logo	2015-03-03	Ian
0	13-N081	Refer to # 071809, revision : 402	2013-09-25	Eka

Projection :		Material : Refer to part list no: 711910		Description : CR 1/2 AA S PCBS with sleeve & solder tags	
Dimension in mm		Prepare & Checked		Dwg. No : 711910	
Tolerance : As specified		2013-09-25		4 0 2	
Scale : 2 : 1		Eka		VKB Order No : 06127 701 014	

Rights reserved to make technical changes, as a result of further development, without notice. This drawing is the property of VARTA Microbattery and must not be copied or disclosed to a third party without the written consent of VARTA Microbattery.



The Netherlands



Elektrostraat 17
NL-7483 PG Haaksbergen

T: +31 (0)53 573 33 33
F: +31 (0)53 573 33 30
E: nl@texim-europe.com

Belgium



Zuiderlaan 14 bus 10
B-1731 Zellik

T: +32 (0)2 462 01 00
F: +32 (0)2 462 01 25
E: belgium@texim-europe.com

UK & Ireland



St. Mary's House, Church Lane
Carlton Le Moorland
Lincoln LN5 9HS

T: +44 (0)1522 789 555
F: +44 (0)845 299 22 26
E: uk@texim-europe.com

Germany North



Bahnhofstrasse 92
D-25451 Quickborn

T: +49 (0)4106 627 07-0
F: +49 (0)4106 627 07-20
E: germany@texim-europe.com

Germany South



Martin-Kollar-Strasse 9
D-81829 München

T: +49 (0)89 436 086-0
F: +49 (0)89 436 086-19
E: germany@texim-europe.com

Austria



Warwitzstrasse 9
A-5020 Salzburg

T: +43 (0)662 216 026
F: +43 (0)662 216 026-66
E: austria@texim-europe.com

Nordic region



Sdr. Jagtvej 12
DK-2970 Hørsholm

T: +45 88 20 26 30
F: +45 88 20 26 39
E: nordic@texim-europe.com

Italy



Via Matteotti 43
IT-20864 Agrate Brianza (MB)

T: +39 (0)39 971 3293
F: +39 (0)39 971 3293
E: italy@texim-europe.com

General information



info@texim-europe.com
www.texim-europe.com