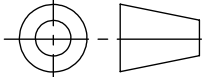



ITEM NO.	PART NUMBER	DESCRIPTION	Stock No.	QTY.
1	C495G v2.1	SMA RP female Bulkhead Gold	26013	1
2	L MC137	Micro Coax. cable 1.37mm, Grey, with UFL connector	24666	1
3	Shrinking tube 3,8x15 Black Ver 1.0	Shrinking tube 3,8mm black	19396	1

AUTHOR	Ing. Halža M.	 ISO 2768-mK	DEBUR AND BREAK SHARP EDGES	 www.2j-antennas.com	
DATE	18.8.2020				
CHECKED BY				TITLE: C495GST-015MC137-UFL Ver 1.0 DWG NO. 2J-PR-C495GST-015MC137-UFL-1.0-01	
APPROVED					
MATERIAL:		FINISH:	WEIGHT:	REVISION	
				-	
NOTES:				A4	
Stock No.:					
THE INFORMATION CONTAINED IN THIS DRAWING IS THE SOLE PROPERTY OF 2J ANTENNAS		DO NOT SCALE DRAWING		SCALE: 2:1	SHEET 1 OF 1
UNLESS OTHERWISE SPECIFIED: DIMENSIONS ARE IN MILLIMETERS					