

ETP-MB-MER4040UPBG



禾瑞亞科技股份有限公司
eGalax_eMPIA Technology Inc.

4-Wire USB Touch Panel Controller

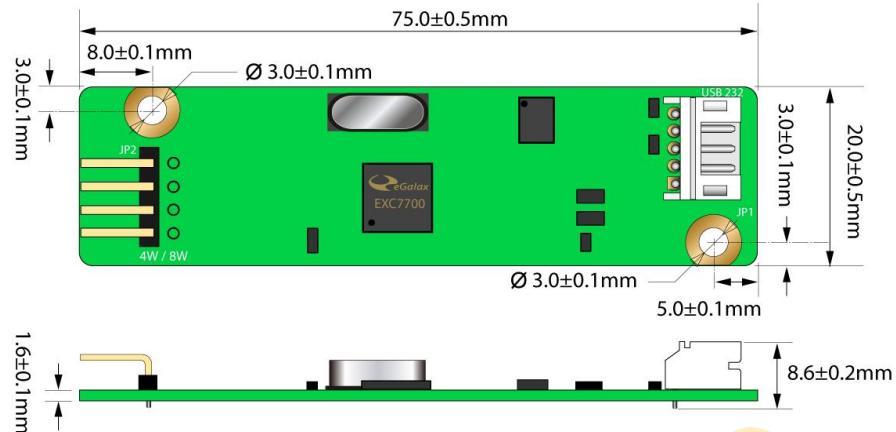
EETI touch control board provides an optimised performance for 4wire analog resistive touch panels. It is sensitive, accurate and come with a user-friendly touch panel driver that emulates mouse left and right button function.

The controller has met latest Restriction of Hazardous Substances (RoHS) Directive, it communicates with host system through USB interface, supporting operation systems are as followed list.

OS	Version	Interfaces
Windows	Windows 7 Windows Vista, XP/2000, 9x/ME Windows CE 2.12/3.0/.net(4.0/5.0)/6.0/7.0 Windows Embedded Windows XP Tablet PC edition	RS232 USB
Windows	Windows NT4	RS232
Linux	<i>The new Linux driver supports most of the Linux distribution on 32/64 bit versions, including Kernel 2.4.x/2.6.x/3.X with XFree86 4.X / Xorg 6.7 to 7.7 (Up to X server 1.11.x)</i> CentOS, Debian, Fedora, Gentoo, Mandrake (Mandriva), Red Hat, Slackware, SuSE (OpenSuSE), Ubuntu (Xubuntu), Yellow Dog, and Meego etc.	RS232 USB I2C
Android	1.6 Donut to 4.0.x Ice Cream Sandwich (Support X86 and ARM platform)	RS232 USB I2C
DOS	DOS 6.22	RS232
Mac	Mac OS 9,X Mac OS X	USB
QNX	QNX Neutrino RTOS v6.3	RS232

ETP-MB-MER4040UPBG

Controller:



Specifications:

4wire Type Controller

Circuit Board Dimension	20mm x 75mm (0.79inches x 2.95inches)
Power Requirements	D.C.+5V (100mA typical,50mV peak to peak maximum ripple and noise)
Operating Temperature	-25 to 85 °C
Storage Temperature	-25 to 85 °C
Relative Humidity	95% at 60 °C, RH Non-condensing
Interface	USB: 1.1 Full Speed
Resolution	2048×2048
Report rate	USB: Max. 200 points/sec
Response time	Max. 20 ms
Attached Cable	USB: 180cm shielded cable with USB-A connector
Regulatory Approvals	FCC-B , CE
EMI	Unaffected by environmental EMI
Panel resistance	4 wire resistive model: 200 ~ 900 ohm (Pin to pin on same layer, Touch Resistance under 3k ohm)
Green Product	RoHS Compliant
MTBF	200,000 hrs

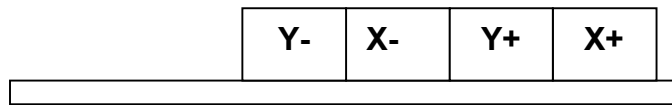
ETP-MB-MER4040UPBG-02 Full Package includes:

- (1) ETP-MB-MER4040UPBG (4 wire control board)
- (2) ETP-CB-SXU00 (USB cable)
- (3) ETP-CB-4XN02 (4 pin Flat cable, Pitch 2.54mm to 1.0mm)

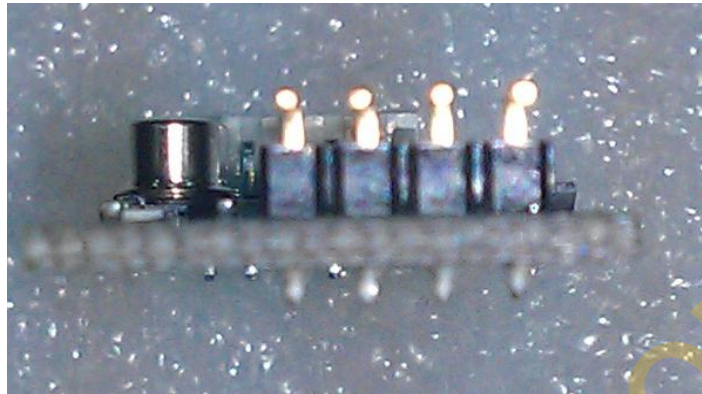
ETP-MB-MER4040UPBG

For 4-Wire Resistive Touch Panel

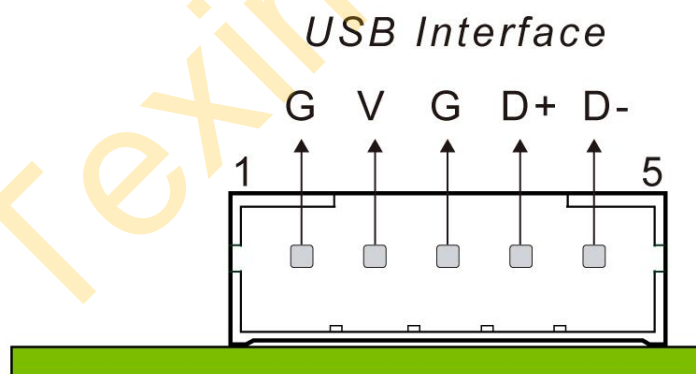
Controller Panel Pin Assignment:



4W PIN-OUT



Controller Wafer Pin Assignment:



Distributed by:



Rev V1.01