

Stand Alone IP65 LCD

USB Type-C Display

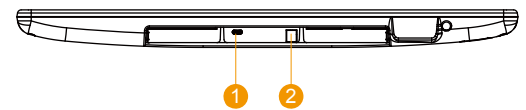
18.5" (16:9)

Specifications



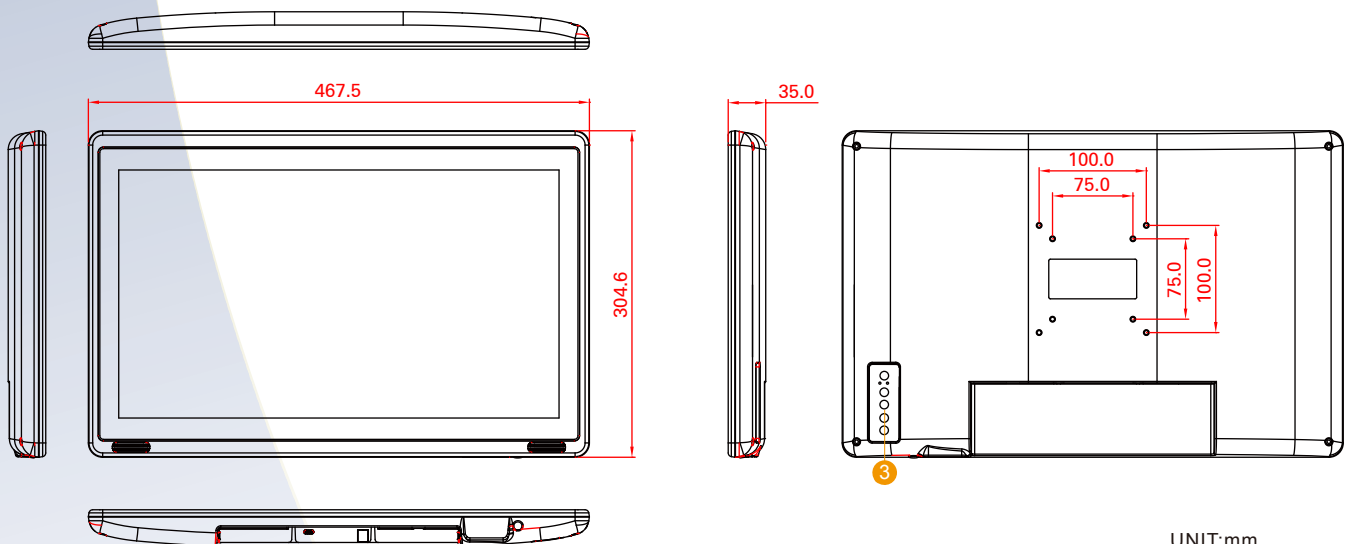
Model Name	W18L100-PTA2-C
Panel Size	18.5"
Active Display Area (mm)	409.8 (H) x 230.4 (V)
Resolution	1366 x 768
Contrast Ratio	1000:1 (Typical)
Display Colors	16.7M
Brightness	250 nits (Typical)
Viewing Angle (CR>=10)	-85~85(H); -80~80 (V)
Standard Input Signal	USB Type-C Connector
Touch Screen	Projected Capacitive Multi-touch (Default) or Protection Glass (non-touch) (Optional)
Speakers	2 x 1W Speaker (Optional)
OSD	5 Keys OSD Control
Power Source	12V DC Input (2.5Ø DC Jack) USB Type-C Alt mode (5V/3A)
Power Consumption	30W typical , Normal operation
Operating Temperature	0~50°C
Storage Temperature	-10~60 °C
Accessories (Optional)	Lockable USB-C to Standard USB-C Cable Dual-side Lockable USB-C Cable Waterproof USB-C to Lockable USB-C Cable
IP Rating	Front IP65
Certifications	CE, FCC

*Outside dimension and I/O will be different from standard.



1. USB Type-C Connector
2. DC input
3. OSD Button

Mechanical Drawing (without touch)



UNIT:mm

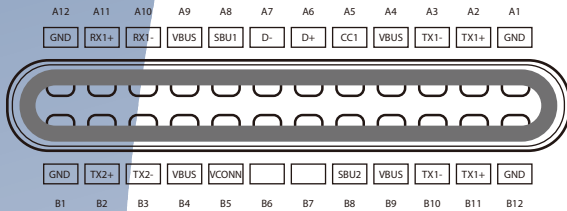
* Note: The mechanical drawing may change when adding touch screen. Please contact our sales representative if you need further product information.

Stand Alone IP65 LCD

USB Type-C Display

Pin Assignment of Cables

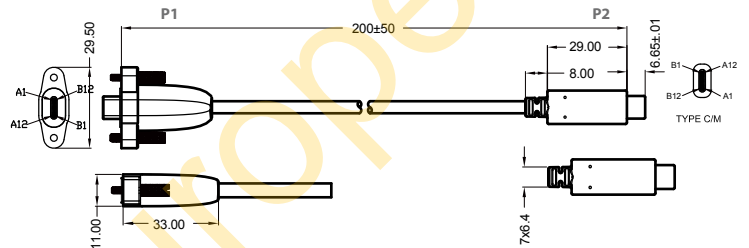
USB Type-C



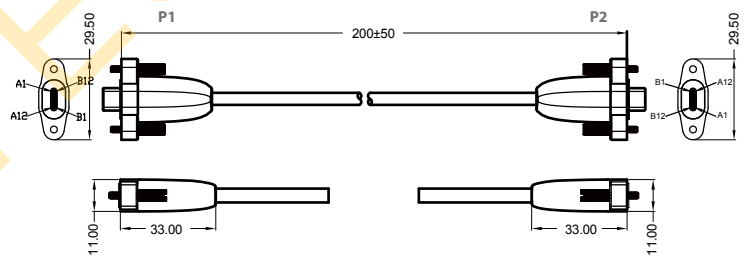
Pin No.	Symbols	Color
A1	GND	
A2	TX1+	Blue
A3	TX1-	White
A4	VBUS	Red
A5	CC1	Blue
A6	D+	Green
A7	D-	White
A8	SBUS1	Red
A9	VBUS	Red
A10	RX2-	White
A11	RX2+	Orange
A12	GND	

Pin No.	Symbols	Color
B1	GND	
B2	TX2+	Purple
B3	TX2-	White
B4	VBUS	Red
B5	VCONN	Yellow
B6	NC	
B7	NC	
B8	SBUS2	Black
B9	VBUS	Red
B10	RX1-	White
B11	RX1+	Yellow
B12	GND	

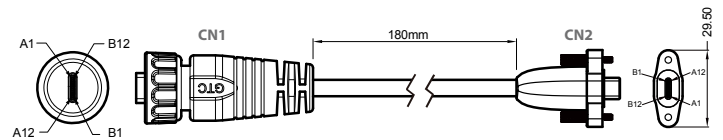
Lockable USB-C to Standard USB-C Cable P/N : 9480240240K5



Dual-side Lockable USB-C Cable P/N : 9480240240K6



Waterproof USB-C to Lockable USB-C Cable P/N : 9480240240K8



Distributed by:

