

M-G32EV051

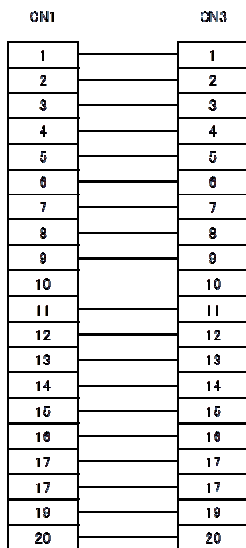
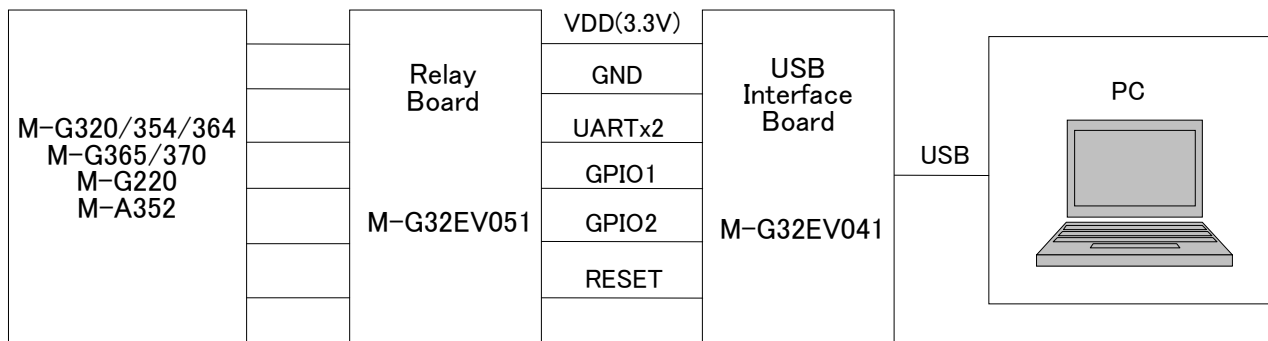
Data Sheet

Relay board for EPSON Accelerometer/IMU

OVERVIEW

This Relay board enables the communication of Accelerometer/IMU and PC made of SEIKO EPSON by combining with IMU/Accelerometer evaluation USB board (M-G32EV041) of another sales. The preliminary evaluation of Accelerometer /IMU is facilitated by using this item.

BLOCK DIAGRAM



It is wired for CN1 and CN3 straight.
When the signal of CN1 connected with the product is taken out, it is possible to use it.
Connected harness for CN3 is not attached.

Pin No.	Mnemonic	Type ¹⁾	Description
1	SCLK	I	SPI Serial Clock
2	SDO	O	SPI Data Output
5	SDI	I	SPI Data Input
6	/CS	I	SPI Chip Select
7	SOU1	O	UART1 Data Output
9	SIN	I	UART Data Input
*3	RDY (GPIO1)	I/O	Data Ready (General Purpose I/O 1)
*4	GPIO2 (EXT)	I/O	General Purpose I/O 2 (External Trigger Input or External Counter Reset Input)
*6	/RST	I	Reset
*0,11,12	VCC	S	Power Supply 3.3V
3,4,8,15	CND	S	Ground
*7,16,19,20	NC		

Table1. CN1 Pin Function Description

Fig1. Block Diagram

Distributed by:



RECOMMENDED OPERATING CONDITION

Microsoft Windows7/ 8.1/ 10 (64bit) are supported when the USB interface of the USB Evaluation Cable is connected to the PC. Other hardware connection or software environments are not tested by Epson.

Table2. Recommended Operating Condition

Support OS	Windows 7/ 8.1/ 10 (64bit)
USB Specification	1.1 / 2.0
Operation Temperature	-20~+70°C

OUTLINE DIMENSIONS AND PIN LAYOUT

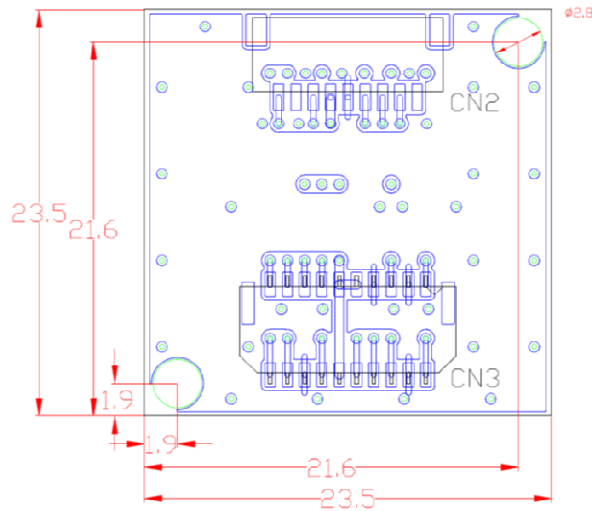


Fig2. Board Outline Dimensions

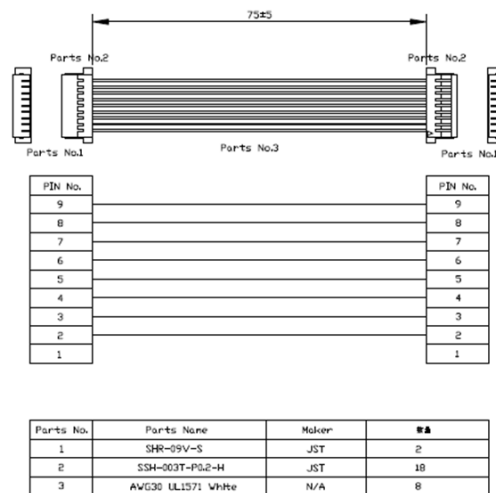
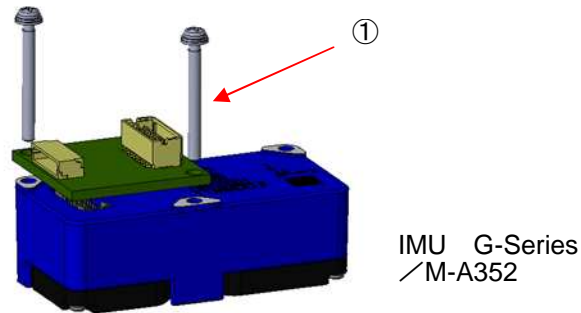


Fig3. Attached harness Dimensions

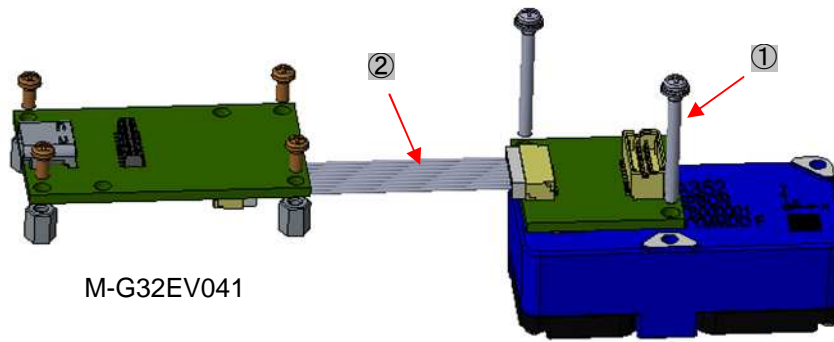
Table3. CN2 Pin Function Description

Pin No.	Mnemonic	Type ^{*1}	Description
1	NC		
2	DRDY (GPIO1)	I/O	Data Ready (General Purpose I/O1)
3	SIN	I	UART Data Input
4	SOUT	O	UART Data Output
5	GND	S	Ground
6	VCC	S	Power Supply 3.3V
7	GPIO2 (EXT)	I/O	General Purpose I/O2 (External Trigger Input or External Counter Reset Input)
8	NC		
9	/RST	I	Reset

■ INSTALLATION INSTRUCTION



(1) Assembling Instruction.



(2) Connecting Instruction for M-G32EV041

Fig4. Relay board Installation

Please use the harness of the attachment when you connect this relay board with our company UART-USB conversion board (M-G32EV041).

Please prepare and use the socket for CN3 when you take out the signal of the product terminal of Accelerometer /IMU.

Please confirm specifications of each product about the terminal function of CN3.

·CN3:DF20F-20DP-1V(56) socket HIROSE ELECTRIC CO.,LTD.

socket	DF20A-20DS-1C
Pressure terminal	DF20F-2830SCFA(**)
	DF20F-3032SCFA(**)

■ BUNDLED PARTS

Table4. Bundled Parts

Product Number	Product Name	Specifications	Quantity
①	Sems Screw for Accelerometer	M2 L=25mm	3
②	harness	9pin-9pin (8 connecting wires)	1

■ SOFTWARE REQUIREMENT

FTDI Driver

If the driver software (USB Serial Converter, USB Serial Port (COMx)) is requested when the USB Evaluation Cable is connected, install the driver using either of the following two methods.

- Update the driver via Windows Device Manager. (Automatic Update over the Internet is recommended.)
- Access the FTDI website (<http://www.ftdichip.com/Drivers/VCP.htm>) and download the appropriate driver for the OS.

■ IMU LOGGER SOFTWARE

The IMU logger software is provided for use with the USB evaluation tools to allow easy evaluation of the Epson IMUs. For information about the IMU evaluation software, contact our representatives.

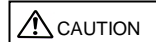
For Contact

SEIKO EPSON CORPORATION
DEVICE Sales and Marketing Department
MSM Business PROJECT
TEL: +81-266-61-0614, FAX: +81-266-61-2051

Software & Manuals Download Website:

http://global.epson.com/products_and_drivers/sensing_system/technical_info/evaluation_tools/

■ IMPORTANT NOTES OF USE

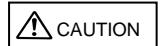


- Please read the caution sheet that is bundled before use.
- This "Relay Board" communicates with the Accelerometer/IMU through the UART-USB conversion board.
- Please ensure the Accelerometer/IMU & UART-USB conversion board is properly connected before inserting or removing the USB cable.
- Do not insert or remove the USB cable immediately after connecting.
- The Accelerometer/IMU & Relay Board can be easily moved by the USB cable resulting in possible damage by impact. Please take precaution to prevent impact by restraining the Accelerometer/IMU & Relay Board.

■ PRODUCT NUMBER AND ORDER INFORMATION

Please order using the following number.

Order Number	Product Number	Comment
E92E609051	M-G32EV051	Relay board



Evaluation Board/Kit and Development Tool Important Notice

1. This evaluation board/kit or development tool is designed for engineering evaluation, demonstration, or development purposes only. Do not use it for any other purposes. The conformance test for this product in accordance with European EMC regulations and United States FCC regulations has not been conducted.
2. This evaluation board/kit or development tool is intended for use by electronics engineers and is not a consumer product. Malfunction by the electrical noise may result from usage depending on your environment. The user should ensure it is used in a safe and proper manner.
3. Seiko Epson does not assume any responsibility or liability of any kind from damage and/or fire caused by the use of this evaluation board/kit or development tool. The user should cease using this evaluation board/kit or development tool if any abnormal issue occurs even during proper and safe usage.
4. When disposing of this evaluation board/kit or development tool, discard in accordance with domestic law concerning disposal.
5. The parts used for this evaluation board/kit or development tool may be changed without notice.
6. Do not allow heaters, human body or metal parts to contact the non-insulated parts of this evaluation board/kit or development tool.
7. Do not allow the human body or metal parts to contact any openings of this evaluation board/kit or development tool.
8. Do not allow excessive stress on mounted components, board wiring, and electric wire of this evaluation board/kit or development tool.
9. When exporting the products or technology described in this material, the user should comply with the applicable export control laws and regulations and follow the procedures required by such laws and regulations. Do not use, resell, export and/or otherwise disclose of these products (and any technical information, if any) for the development and/or manufacture of weapons of mass destruction or other military purposes.

NOTICE

No part of this material may be reproduced or duplicated in any form or by any means without the written permission of Seiko Epson. Seiko Epson reserves the right to make changes to this material without notice. Seiko Epson does not assume any liability of any kind arising out of any inaccuracies contained in this material and, further, there is no representation that this material is applicable to products requiring high level reliability, such as, medical products. Moreover, no license to any intellectual property rights is granted by implication or otherwise, and there is no representation or warranty that anything made in accordance with this material will be free from any patent or copyright infringement of a third party. Keep this manual at hand to answer any questions you have about this product during use. All brands or product names mentioned herein are trademarks and/or registered trademarks of their respective companies.

©Seiko Epson Corporation 2018, All rights reserved.

SEIKO EPSON CORPORATION

MSM BUSINESS PROJECT

281, Fujimi, Fujimi-cho, Nagano 399-0293, JAPAN
Phone: +81-266-61-0614 FAX: +81-266-61-2051

First issue June, 2018 in Japan
Rev.201812

The Netherlands



Elektrostraat 17
NL-7483 PG Haaksbergen

T: +31 (0)53 573 33 33
F: +31 (0)53 573 33 30
E: nl@texim-europe.com

Belgium



Zuiderlaan 14 bus 10
B-1731 Zellik

T: +32 (0)2 462 01 00
F: +32 (0)2 462 01 25
E: belgium@texim-europe.com

UK & Ireland



St. Mary's House, Church Lane
Carlton Le Moorland
Lincoln LN5 9HS

T: +44 (0)1522 789 555
F: +44 (0)845 299 22 26
E: uk@texim-europe.com

Germany North



Bahnhofstrasse 92
D-25451 Quickborn

T: +49 (0)4106 627 07-0
F: +49 (0)4106 627 07-20
E: germany@texim-europe.com

Germany South



Martin-Kollar-Strasse 9
D-81829 München

T: +49 (0)89 436 086-0
F: +49 (0)89 436 086-19
E: germany@texim-europe.com

Austria



Warwitzstrasse 9
A-5020 Salzburg

T: +43 (0)662 216 026
F: +43 (0)662 216 026-66
E: austria@texim-europe.com

Nordic region



Sdr. Jagtvej 12
DK-2970 Hørsholm

T: +45 88 20 26 30
F: +45 88 20 26 39
E: nordic@texim-europe.com

Italy



Via Matteotti 43
IT-20864 Agrate Brianza (MB)

T: +39 (0)39 971 3293
F: +39 (0)39 971 3293
E: italy@texim-europe.com

General information



info@texim-europe.com
www.texim-europe.com