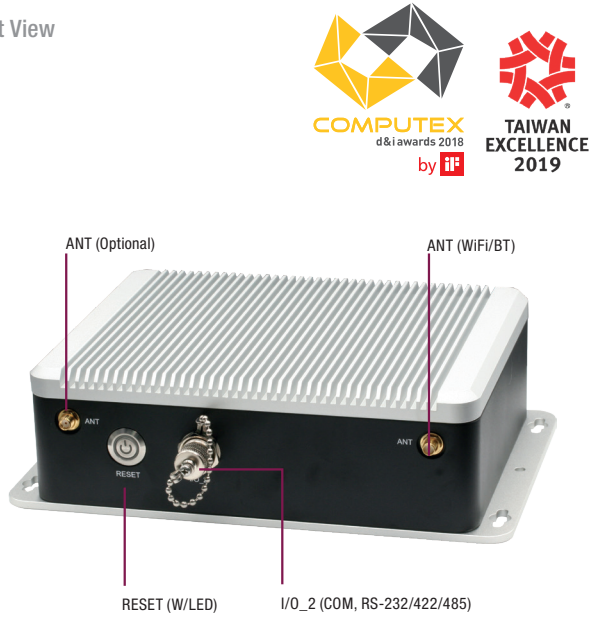
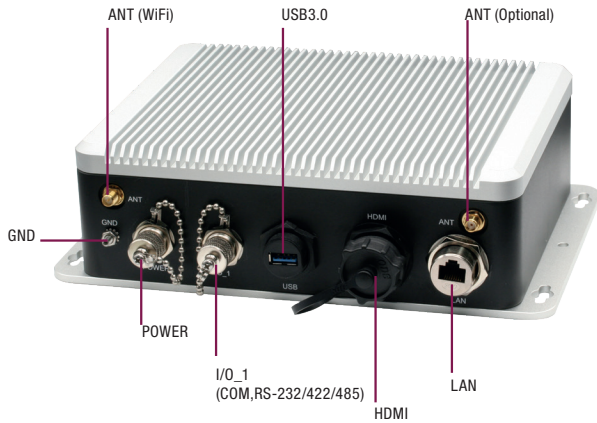


Front View



Rear View



## Features

- IP68 Compliance Gateway System
- Intel® Atom™ E3940 Processor
- Onboard 4GB LPDDR4 Memory
- Onboard 32 GB eMMC
- Gigabit LAN x 1, HDMI x 1
- USB3.0 x 1, RS-232 x 2
- Wi-Fi Wifi 802.11ac and Bluetooth 4.0
- Lora 868Mhz, EMEA 4G LTE

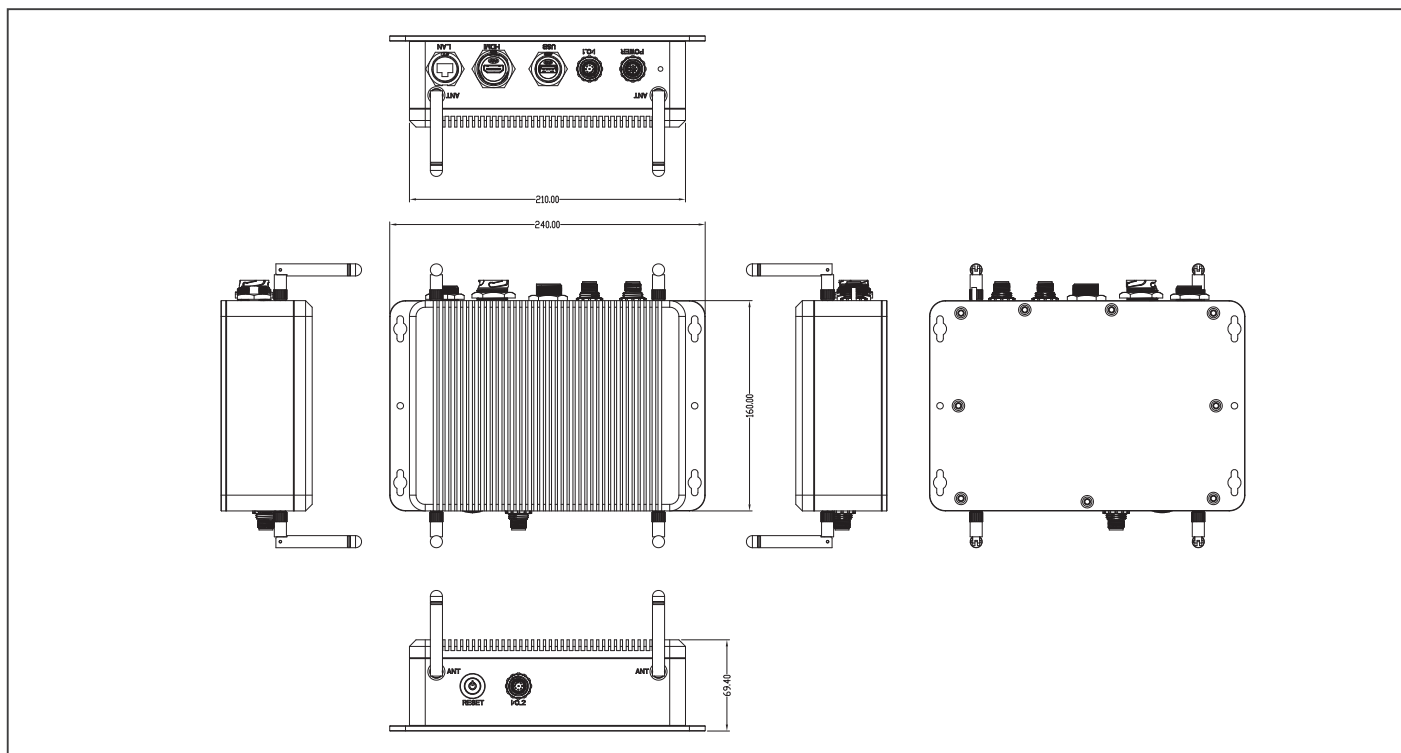


## Specifications

System	
CPU	Intel® Atom™ E3940 Processor
Chipset	Intel® System on Chip
Memory	Onboard 4GB LPDDR4 memory
Storage	32GB eMMC onboard
Display	HDMI
Ethernet	Standard: Realtek® 8111G x 1
USB	USB 3.0 x 1
COM	RS-232/422/485 x 2
Digital I/O	—
Indicator	—
Wi-Fi	801.11ac
Bluetooth	BT4.0
Lora	868 MHz
POE	IEEE802.3 AT Standard, Max 25W Power Supply
OS Support	Windows® 10 (full), Windows® IOT Core, Linux ubilinux, Ubuntu, Yocto
I/O Placements	
Front I/O	M12 Connector x 1 (RS-232) Reset button x 1 GND Screw x 1 Antenna connector x 1 Antenna x 1
Rear I/O	RJ45 Connector x 1 HDMI Connector x 1 USB 3.0 Connector x 1 M12 Connector x 1 (RS-232) Antenna connector x 1 Antenna x 1
Right Side I/O	—
Left Side I/O	—
Power	
Power Requirement	5V DC in
Mechanical	
IP	IP68
Dimension	9.43" x 6.28" x 2.73" (239.4 mm x 159.4 mm x 69.4 mm)
Mounting	Wallmount
Gross Weight	7.8 lb (3.5 kg)
Net Weight	5.6 lb (2.5 kg)
Environment	
Operating Temperature	-4°F ~ 158°F (-20°C ~ 70°C) (E3940)
Storage Temperature	-4°F ~ 158°F (-20°C ~ 70°C)
Storage Humidity	5~95% @ 40°C, non-condensing
Anti-Vibration	3 Grms /5 ~500Hz/Operation
Certification	CE, FCC Class A

### Dimension

Unit: mm



### Packing List

- Wifi Antenna x 2
- 4G Antenna x 1
- LoRa Antenna x 1

### Optional Accessories

- EP-PS5V6A65WUPS UP  
Squared power supply 5V@6A
- EP-CBPC250V3PEU Power  
cord (EU plug)
- EP-CBPC125V3PUS Power  
cord (U.S. plug)