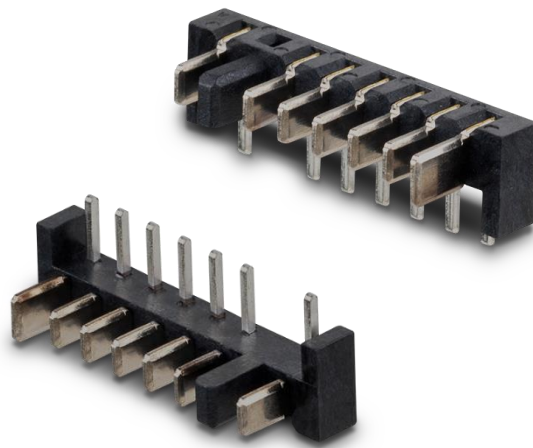


RRC-MC21-90-10

Battery Mating Connector

P/N: 211268

Distributed by:



Features:

- Mating connector for standard battery from factors RRC21xx
- 7.00A max. charge or discharge current to battery
- 7-pin male connector
- 2.5mm pitch
- RoHS and REACH compliant

Applications:

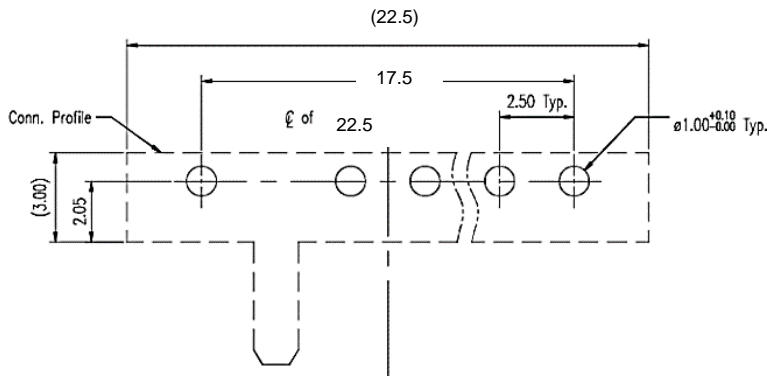
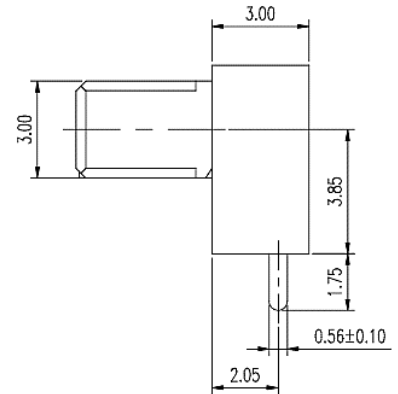
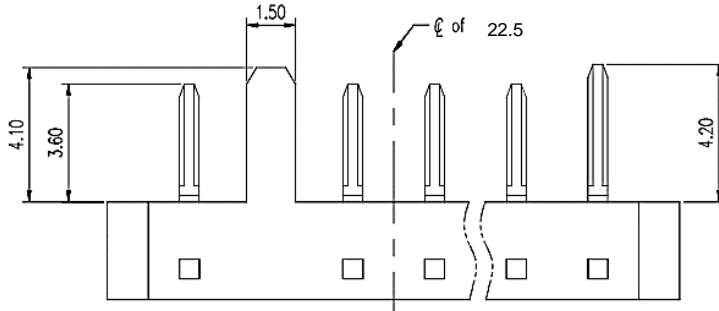
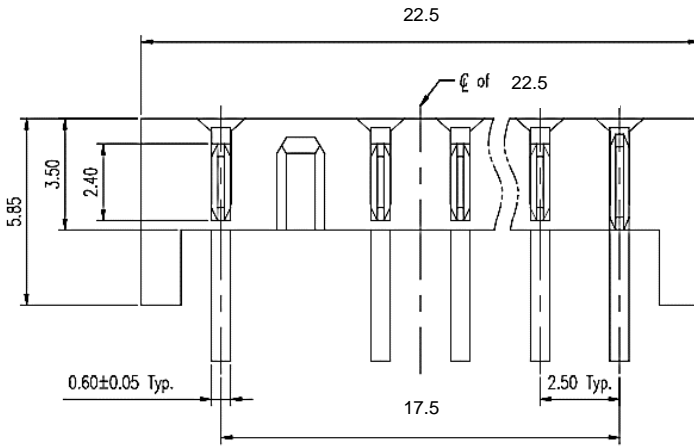
Mating connector for RRC's smart batteries used in medical, industrial and consumer applications

Specification

Ratings	
Current	7.00A max. / pin
Voltage	30.00VDC
Materials	
Housing	Thermoplastic High Temperature, UL 94V-0, black
Contacts	Copper Alloy
Plating	50µm Nickel on contact area, 100µm Matte-Tin on solder tails
Environmental Condition	
Operating Temperature	-40°C to +105°C
Electrical Requirements	
Contact Resistance	40mOhm max.
Insulation Resistance	100MOhm min. at 500VDC / 1min
Dielectric withstand	500.00VAC / 1min
Mechanical Requirements	
Dimensions (LxWxH)	22.50mm x 7.20mm x 5.85mm
Weight	Typical 1g
PCB mounting	90°
Contact Retention Force	300g min. / pin
Physical Requirements	
Solder Temperature	245°C ± 5°C
Immersion Period	5 ± 0.5sec
Regulatory Approvals	
Green Procurement	RoHS REACH
Packaging	
27 connectors per tube	
168 tubes per carton	



Drawings



Recommended P.C.B. Layout
Layout Tolerance = ± 0.05mm

Germany/Headquarters

RRC power solutions GmbH
Technologiepark 1
66424 Homburg / Saar

Tel.: +49 6841 98090
Fax: +49 6841 9809280
Email: sales@rrc-ps.de
Web: www.rrc-ps.de

USA

RRC power solutions Inc.
18340 Yorba Linda Blvd.,
107-437 Yorba Linda,
CA 92886-4104

Tel.: +1 714 777 3604
Fax: +1 714 777 3658
Email: usa@rrc-ps.com
Web: www.rrc-ps.com

Hong Kong

RRC power solutions Ltd.
S-V,6/F, Valiant Industrial
Centre 2-12 Au Pui Wan Street
Fo Tan, N.T., Hong Kong

Tel.: +852 2376 0106
Fax: +852 2375 0107
Email: hkrrc@rrc-ps.cn
Web: www.rrc-ps.com

China

RRC power solutions Ltd.
Room 1306, C Building,
Tianan International building,
Renmin South Road, Luohu
District, Shenzhen 518021

Tel.: +86 755 8374 1908
Fax: +86 755 8374 1861
Email: hkrrc@rrc-ps.cn
Web: www.rrc-ps.com

The Netherlands



Elektrostraat 17
NL-7483 PG Haaksbergen

T: +31 (0)53 573 33 33
F: +31 (0)53 573 33 30
E: nl@texim-europe.com

Belgium



Zuiderlaan 14 bus 10
B-1731 Zellik

T: +32 (0)2 462 01 00
F: +32 (0)2 462 01 25
E: belgium@texim-europe.com

UK & Ireland



St. Mary's House, Church Lane
Carlton Le Moorland
Lincoln LN5 9HS

T: +44 (0)1522 789 555
F: +44 (0)845 299 22 26
E: uk@texim-europe.com

Germany North



Bahnhofstrasse 92
D-25451 Quickborn

T: +49 (0)4106 627 07-0
F: +49 (0)4106 627 07-20
E: germany@texim-europe.com

Germany South



Martin-Kollar-Strasse 9
D-81829 München

T: +49 (0)89 436 086-0
F: +49 (0)89 436 086-19
E: germany@texim-europe.com

Austria



Warwitzstrasse 9
A-5020 Salzburg

T: +43 (0)662 216 026
F: +43 (0)662 216 026-66
E: austria@texim-europe.com

Nordic region



Sdr. Jagtvej 12
DK-2970 Hørsholm

T: +45 88 20 26 30
F: +45 88 20 26 39
E: nordic@texim-europe.com

Italy



Via Matteotti 43
IT-20864 Agrate Brianza (MB)

T: +39 (0)39 971 3293
F: +39 (0)39 971 3293
E: italy@texim-europe.com

General information



info@texim-europe.com
www.texim-europe.com