

## PS65

Power Supply AC/DC  
P/N: 210919



### Features:

- 65.00W standard AC/DC power supply for worldwide use
- Simple operation
- Country specific AC input cables available

### Applications:

Suitable for use with notebooks, hand held data capture POS, test and measurement and other industrial applications.



## Specification

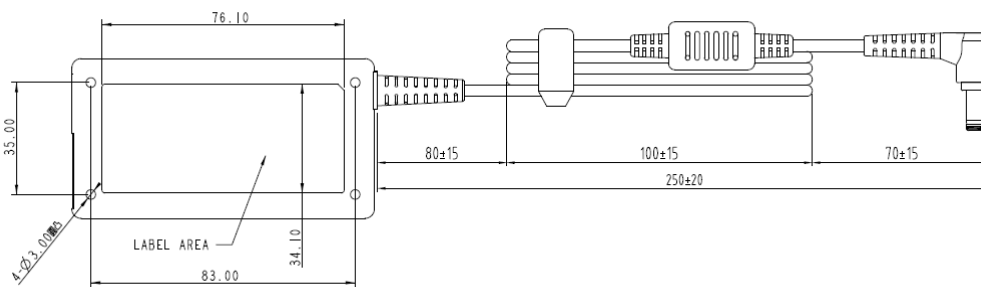
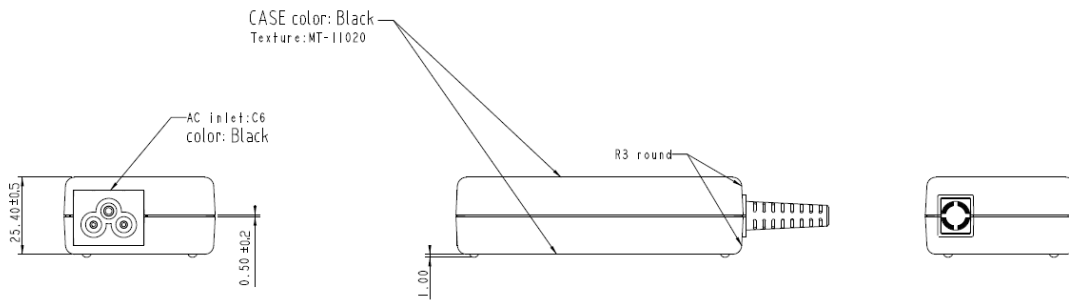
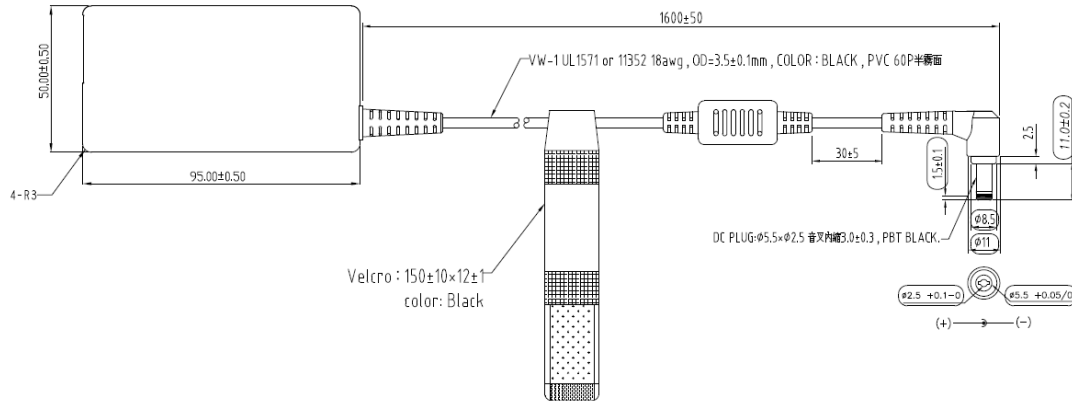
Input		
Voltage	100.00 – 240.00VAC ±10%, 50-60Hz	
Current	1.70A max.	
Standby power	< 0.21W @ no load	
Output		
Voltage	19.00VDC ± 5%; Ripple < 300mV <sub>pk-pk</sub>	
Power	65.00W max.	
Current	3.42A max.	
Protection	Short circuit, over-voltage, over-current, over-temperature	
Environmental		
Ambient temperature	Operation: 0°C to 40°C	Storage: -30°C to 80°C
Pressure & Altitude	1060hPa to 533hPa -382m to 5000m	1060hPa to 533hPa -382m to 5000m
Humidity (non-condensing )	8% to 90% r.H.	5% to 95% r.H.
Mechanical Details		
Housing dimensions (LxWxH)	95 x 50 x 25.4mm, without cables and connectors	
Output cable length	1600mm ±50mm	
Weight	270g, without input cable	
AC input socket	IEC 320 C6 Type	
Standard output connector	DC barrel jack, 5.5 x 2.5 x 11mm	
General		
Efficiency	California's Energy Efficiency Level VI	
Cooling	Convection cooled	
Green procurement	RoHS 2011/65/EU + 2015/863/EU REACH 1907/2006 WEEE 2012/19/EU Chinese RoHS	
MTBF	100,000h at 25°C ambient	
Safety & EMC		
Regulatory approvals	Europe International USA & Canada Australia & New Zealand Russia & Eurasian Customs Union Korea China Japan India Taiwan Mexico Singapore Argentina South Africa Morocco United Kingdom	EN62368-1 (CE) IEC62368-1 (CB) FCC, cULus RCM EAC KC CCC PSE BIS BSMI NOM Safety Mark IRAM SABS CMIM UKCA
Electromagnetic Emissions	Europe USA	EN55032, EN55024 FCC15 class B
Electromagnetic Immunity	ESD immunity Electromagnetic field immunity EFT / Burst Surge Conducted Immunity Magnetic Fields Voltage dips	EN/IEC61000-4-2 EN/IEC61000-4-3 EN/IEC61000-4-4 EN/IEC61000-4-5 EN/IEC61000-4-6 EN/IEC61000-4-8 EN/IEC61000-4-11
Energy Efficiency		DOE

## Recommended Accessories

Type	Product	P/N	Application
3-pol AC-Cable	US-Version	210950	Country specific power cables
	EU-Version	210951	
	UK-Version	211133	
	AU-Version	211134	



## Drawing



### Germany/Headquarters

RRC power solutions GmbH  
Technologiapark 1  
66424 Homburg / Saar

Tel.: +49 6841 98090  
Fax: +49 6841 9809280  
Email: sales@rrc-ps.de  
Web: www.rrc-ps.com

### USA

RRC power solutions Inc.  
18340 Yorba Linda Blvd.,  
# 107-437  
Yorba Linda, CA 92886

Tel.: +1 714 777 3604  
Fax: +1 714 777 3658  
Email: usa@rrc-ps.com  
Web: www.rrc-ps.com

### Hong Kong

RRC power solutions Ltd.  
S-V,6/F, Valiant Industrial  
Centre 2-12 Au Pui Wan Street  
Fo Tan, N.T., Hong Kong

Tel.: +852 2376 0106  
Fax: +852 2375 0107  
Email: hkrrc@rrc-ps.cn  
Web: www.rrc-ps.cn

### China

RRC power solutions Ltd.  
Room 1306, C Building,  
Tianan International building,  
Renmin South Road, Luohu  
District, Shenzhen 518021

Tel.: +86 755 8374 1908  
Fax: +86 755 8374 1861  
Email: hkrrc@rrc-ps.cn  
Web: www.rrc-ps.cn

## The Netherlands



Elektrostraat 17  
NL-7483 PG Haaksbergen

T: +31 (0)53 573 33 33  
F: +31 (0)53 573 33 30  
E: [nl@texim-europe.com](mailto:nl@texim-europe.com)

## Belgium



Zuiderlaan 14 bus 10  
B-1731 Zellik

T: +32 (0)2 462 01 00  
F: +32 (0)2 462 01 25  
E: [belgium@texim-europe.com](mailto:belgium@texim-europe.com)

## UK & Ireland



St. Mary's House, Church Lane  
Carlton Le Moorland  
Lincoln LN5 9HS

T: +44 (0)1522 789 555  
F: +44 (0)845 299 22 26  
E: [uk@texim-europe.com](mailto:uk@texim-europe.com)

## Germany North



Bahnhofstrasse 92  
D-25451 Quickborn

T: +49 (0)4106 627 07-0  
F: +49 (0)4106 627 07-20  
E: [germany@texim-europe.com](mailto:germany@texim-europe.com)

## Germany South



Martin-Kollar-Strasse 9  
D-81829 München

T: +49 (0)89 436 086-0  
F: +49 (0)89 436 086-19  
E: [germany@texim-europe.com](mailto:germany@texim-europe.com)

## Austria



Warwitzstrasse 9  
A-5020 Salzburg

T: +43 (0)662 216 026  
F: +43 (0)662 216 026-66  
E: [austria@texim-europe.com](mailto:austria@texim-europe.com)

## Nordic region



Sdr. Jagtvej 12  
DK-2970 Hørsholm

T: +45 88 20 26 30  
F: +45 88 20 26 39  
E: [nordic@texim-europe.com](mailto:nordic@texim-europe.com)

## Italy



Via Matteotti 43  
IT-20864 Agrate Brianza (MB)

T: +39 (0)39 971 3293  
F: +39 (0)39 971 3293  
E: [italy@texim-europe.com](mailto:italy@texim-europe.com)

## General information



[info@texim-europe.com](mailto:info@texim-europe.com)  
[www.texim-europe.com](http://www.texim-europe.com)