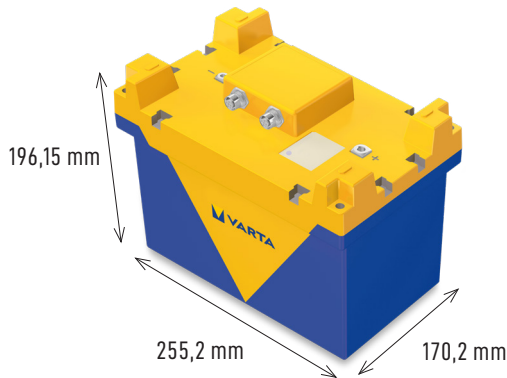


Easy Block 48

51.2 V | 11.4 Ah | 583 Wh | VKB: 56650 764 098

VARTA Storage GmbH - Rev No. 1 0421



*Illustration only

ELECTRICAL SPECIFICATION

Power connection	Negative terminal: M6 (six) screw type, rated female terminal Positive terminal: M8 (eight) screw type, rated female terminal
CAN BUS connection	Type: 2x (two) M12-5, plug, female sockets Mating style: screw thread Coding: A Model: TE T4111002051-000 or similar
Nominal voltage	51.2 V
Typical capacity	11.4 Ah
Typical energy	583 Wh
Charging method	Constant Current + Constant Voltage
Max. charge voltage	57.6 V
Max charge current	11.4 A
Rec. charge current	10 A
Rec. charge cut off	Current < 600 mA
Rec. discharge cut off	40 V
Max. continuous discharge current	60 A
Max. pulse discharge current.	65 A for 3 sec
Rec. discharge current	10 A
Exp. cycle life at (0.9 °C / 0.9 °C), 22 °C ± 2 °C	≥ 80 % of initial capacity at 4,000 cycles ≥ 60 % of initial capacity at 10,000 cycles

GENERAL (Battery with safety circuit)

Size (l x w x h) in mm	255,2 x 170,2 x 196,15
General	Li-Iron-Phosphate
Communications	CAN Bus (CANopen)
Weight	Approx. 7.5 kg

CELL & BATTERY PROTECTION

Safety function	Short circuit protection: 300A / 0.1ms Over discharge current protection 1: 65A / 5s; level 2: 85A / 50ms Over charge current protection 1: 65A / 5s; level 2: 85A / 50ms
Fuse	100A (one time)

ENVIRONMENTAL CONDITIONS

Charge	0 °C to +50 °C
Discharge	-20 °C to +60 °C
Storage	1 to 3 months at -20 °C to +45 °C 1 year at -20 °C to +24 °C
Humidity	25 to 85 RH %
IP rating	IP 30, not water resistant

SAFETY CERTIFICATIONS

Please follow VARTA handling and safety precautions for Lilon & LiPolymer. The cell used is a UL recognized component according to UL1642. This battery meets the requirements of battery directives and the battery parts are RoHS-compliant. This battery is certified according to IEC62133-2:2017 and UN38.3.

FEATURES

- Extra-long cycle life for heavy duty cycle projects and reduced total cost of ownership.
- Easily connected up to 25 modules in parallel for higher capacities.
- Housing with locking feature for easy attachment to adjacent module.
- No external battery management needed.
- Automatic master-slave status established.
- Zero maintenance, zero emissions.
- Limited 2 year warranty.

Minimum order quantity: 256 pcs / Order multiples: 32 pcs
Product for OEM customers only. Distributor MOQs may vary.



Headquarters & Warehouse

Elektrostraat 17
NL-7483 PG Haaksbergen
The Netherlands

T: +31 (0)53 573 33 33
E: info@texim-europe.com
Homepage: www.texim-europe.com



The Netherlands

Elektrostraat 17
NL-7483 PG Haaksbergen

T: +31 (0)53 573 33 33
E: nl@texim-europe.com



Belgium

Zuiderlaan 14, box 10
B-1731 Zellik

T: +32 (0)2 462 01 00
E: belgium@texim-europe.com



UK & Ireland

St Mary's House, Church Lane
Carlton Le Moorland
Lincoln LN5 9HS

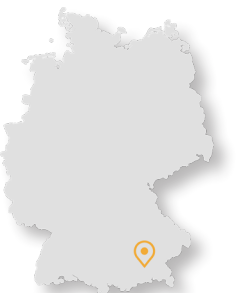
T: +44 (0)1522 789 555
E: uk@texim-europe.com



Germany - North

Bahnhofstrasse 92
D-25451 Quickborn

T: +49 (0)4106 627 07-0
E: germany@texim-europe.com



Germany - South

Martin-Kollar-Strasse 9
D-81829 München

T: +49 (0)89 436 086-0
E: muenchen@texim-europe.com



Austria

Warwitzstrasse 9
A-5020 Salzburg

T: +43 (0)662 216 026
E: austria@texim-europe.com



Nordic

Søndre Jagtvej 12
DK-2970 Hørsholm

T: +45 88 20 26 30
E: nordic@texim-europe.com



Italy

Via Matteotti 43
IT-20864 Agrate Brianza (MB)

T: +39 (0)39 9713293
E: italy@texim-europe.com