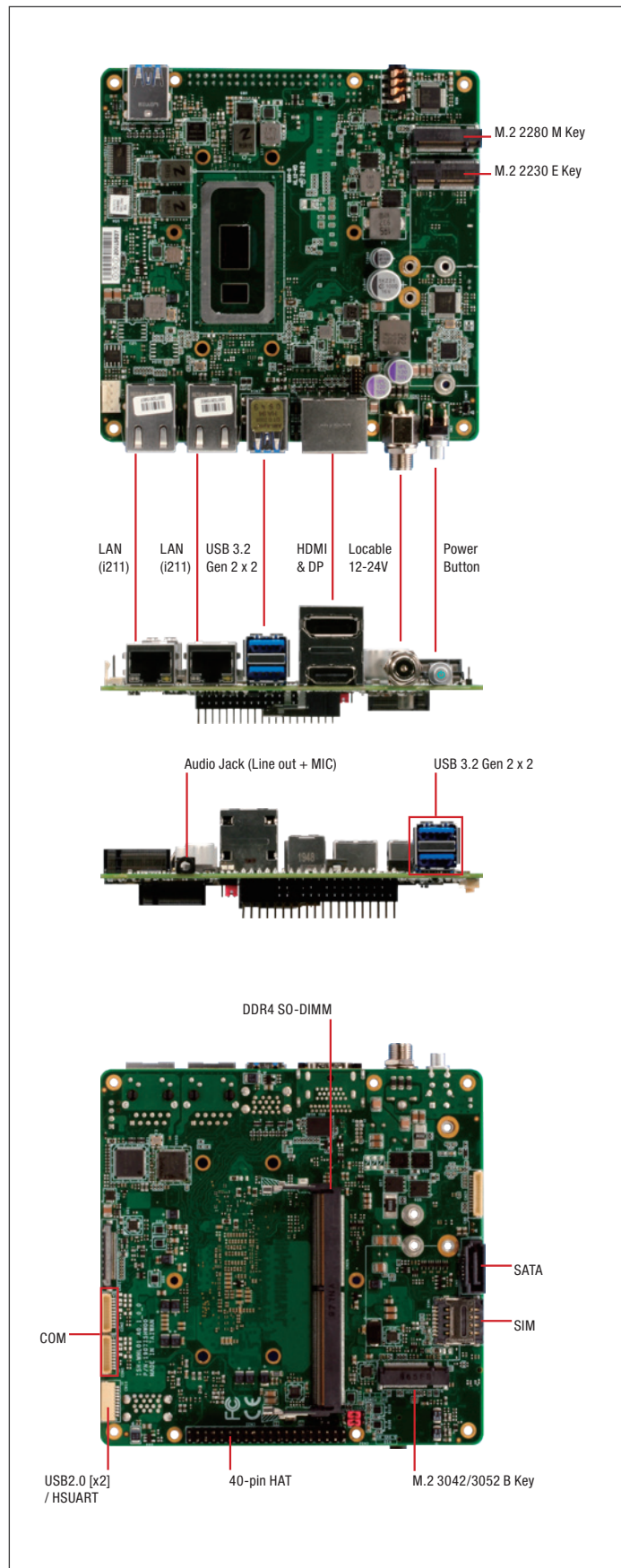


UP Xtreme Lite

UP Xtreme developer board with Intel® WHL-U Core™ i7/i5/i3/Celeron® Processor SoC



Features

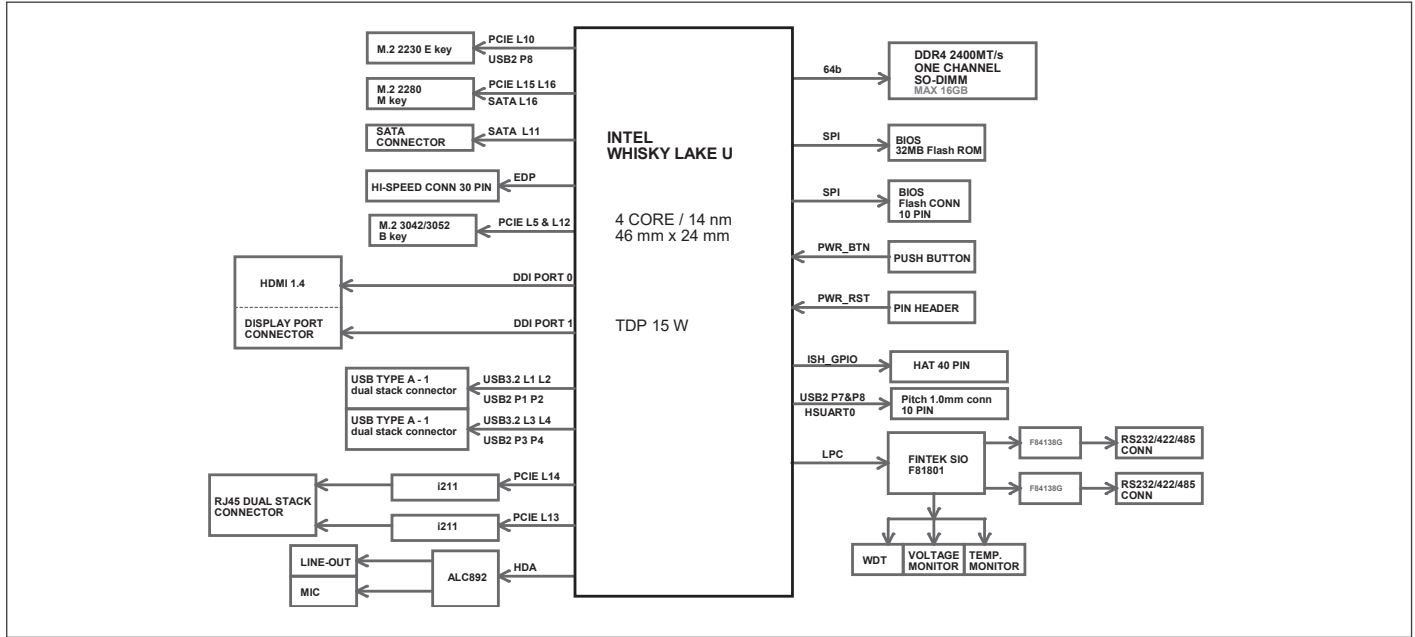
- Intel® WHL-U Core i7/i5/i3/Celeron® Processor SoC
- DDR4 SO-DIMM Slot x 1 (up to 16GB)
- 40-pin HAT Connector
- SATA 6.0Gb/s x 1
- M.2 3042/3052 B Key x 1
- M.2 2280 M Key x 1 (PCIe [x2])
- M.2 2230 E Key x 1
- Audio Jack x 1 (line out + Mic)
- Lockable DC Connector



Specifications

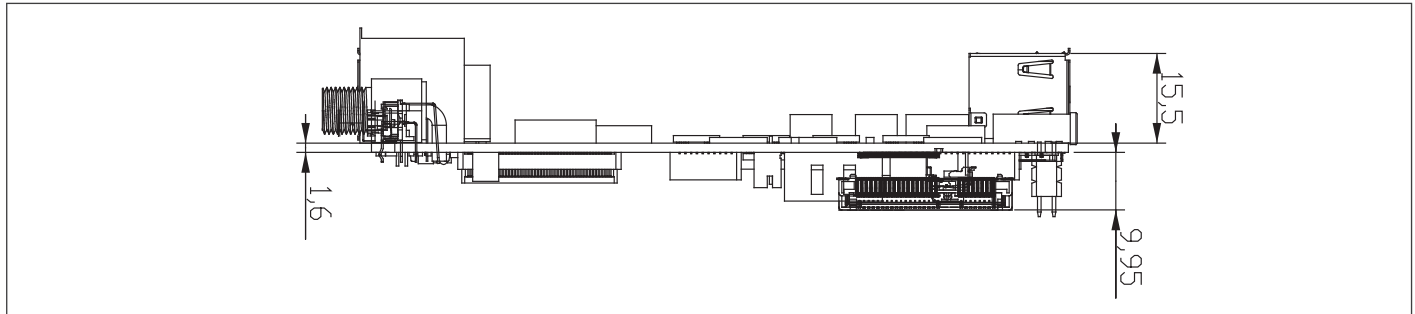
System	
Processor	8th generation Intel® Core i7/i5/i3/Celeron® Processor SoC
Graphics	Intel® Graphics , GEN 9
I/O	RJ45 Ethernet Connector x 2 HDMI/DP Stack Connector x 1 Power Button / LED x 1 Audio Jack (Line out + MIC) x 1 DC Connector (Lockable) x 1 10-pin USB 2.0 x 2 / HSUART x 1 SATA Connector with Power Connector (5V, GND) x 1 4-pin Fan Connector x1 Power Button Header x 1 Reset Pin Header x 1 M.2 2230 E Key x 1 M.2 2280 M Key x 1 (PCIe [x2]) 40-pin HAT Connector x 1 M.2 3042/3052 B Key x 1 10-pin RS232/422/485 Pin Header x 2
Camera	—
USB	USB 3.2 Gen 2 Type-A x 2 (Front) USB 3.2 Gen 2 Type-A x 2 (Rear) 10-pin USB 2.0 x 2
Expansion	M.2 2230 E Key x 1 M.2 2280 M Key x 1 (PCIe [x2]) M.2 3042/3052 B Key x 1 40-pin HAT Connector x 1
RTC	RTC battery, CR2032 x 1
Power	12V - 24VDC
Dimension	122 x 120 mm
Memory	DDR4 SO-DIMM Slot x 1 (up to 16GB)
Storage	SATA3 (6Gb/s) x 1: a. SATA Connector x 1 b. M.2 2280 M Key NVMe(PCIe [x2])/SATA (auto-detect) x 1
Display Interface	HDMI 1.4 x 1 DP 1.2 x 1
Ethernet	Intel® i211 GbE port x 2
OS Support	Win 10 Linux Ubuntu 18.04 with Kernel 5.0 Linux Yocto 2.7 with Kernel 4.19
Operating Temperature	32°F ~ 140°F (0°C ~ 60°C)
Operation Humidity	0% ~ 90% relative humidity, non-condensing
Certification	CE/FCC class A, RoHS Compliant, REACH

Block Diagram



Dimension

Unit: mm



Ordering Information

Part number	CPU	LAN	USB	RS-232/422/485	Expansion Slot	Power	Operation Temp.
UPX-WHLI7C-A10-0000	Core i7-8565U	GbE x 2	USB 3.2 Gen 2 Type-A x 4 10-pin USB 2.0 x 2	2	M.2 2280 M Key x 1, M.2 2230 E Key x 1, M.2 3042/3052 B Key x 1	12-24V	32°F ~140°F (0°C ~ 60°C)
UPX-WHLI5C-A10-0000	Core i5-8265U	GbE x 2	USB 3.2 Gen 2 Type-A x 4 10-pin USB 2.0 x 2	2	M.2 2280 M Key x 1, M.2 2230 E Key x 1, M.2 3042/3052 B Key x 1	12-24V	32°F ~140°F (0°C ~ 60°C)
UPX-WHLI3C-A10-0000	Core i3-8145U	GbE x 2	USB 3.2 Gen 2 Type-A x 4 10-pin USB 2.0 x 2	2	M.2 2280 M Key x 1, M.2 2230 E Key x 1, M.2 3042/3052 B Key x 1	12-24V	32°F ~140°F (0°C ~ 60°C)

Packing List

- UPX-WHL02 with Heatsink + cooler

Optional Accessories

Part Number	Description
125530065A	19Vdc/3.42A.65W power adapter
1702031830	Power cord for USA
9741364A00	Wireless LAN Kit M.2 2230 802.11ac/a/b/g/n + BT4.0,2T2R,with 2 sets of cable & antenna (Enli,QCNFA364A)
PER-TAIX2-A10-2280	AI Core XM 2280.M.2 2280 B+M key card.with Dual Myriad X.15 mm heat sink with FAN