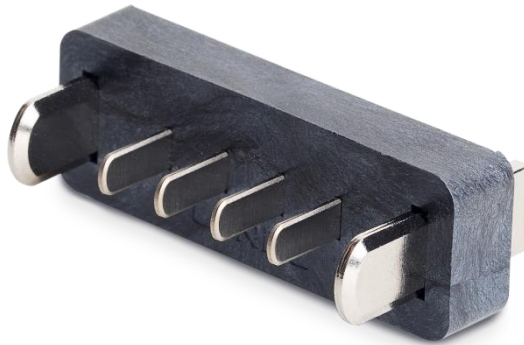


RRC-MC35-180-30

Battery Mating Connector

P/N: 211947



Picture only for reference

Features:

- Mating connector for standard battery form factors RRC35xx
- 30.00A max. charge or discharge current to battery
- 6-pin male connector
 - 4 signal pins: 5mm pitch
 - 2 power pins: 7mm pitch
- RoHS and REACH compliant

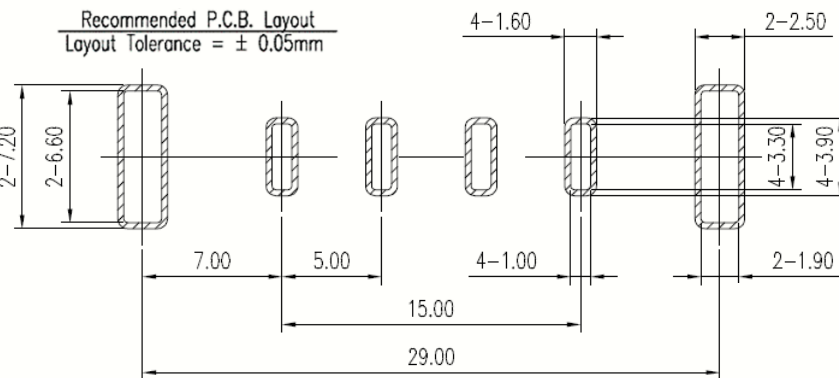
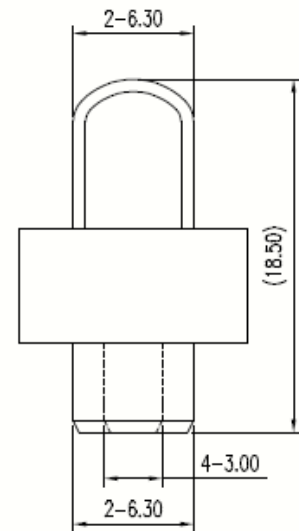
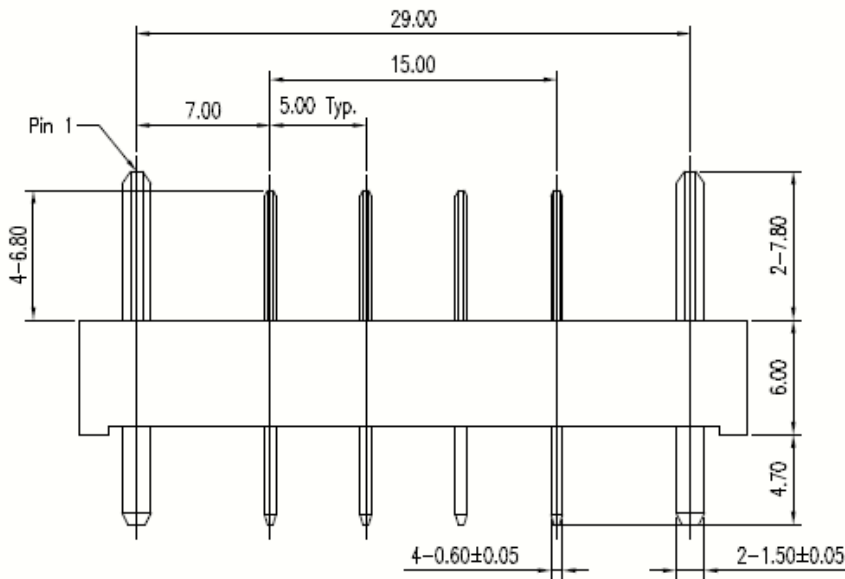
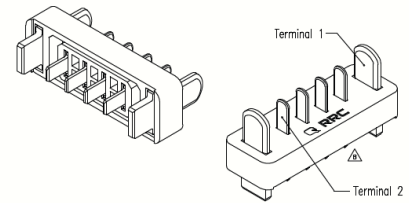
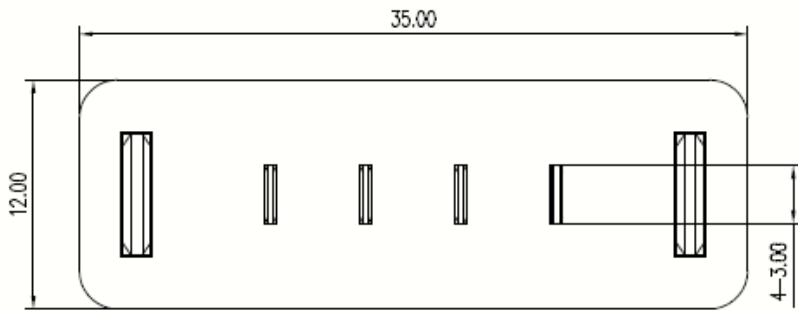
Applications:

Mating connector for RRC's smart batteries used in medical, industrial and consumer applications

Specification

Ratings	
Current	30.00A max. / power pin 1.00A max. / signal pin
Voltage	60.00V (power) 6.00V (signal)
Materials	
Housing	Thermoplastic High Temperature, UL 94 V-0 (LCP), black
Contacts	Copper Alloy
Plating	120µin Nickel overall, 50µin Nickel on contact area
Environmental Condition	
Operating Temperature	-40°C to +85°C
Electrical Requirements	
Contact Resistance	50mOhm max.
Insulation Resistance	1000MOhm min. at 500VDC / 1min
Dielectric withstand	500.00V / 1min
Mechanical Requirements	
Dimensions (LxWxH)	35mm x 12mm x 18.50mm
Weight	7g
PCB mounting	180°
Contact Retention Force	1500g min. / power pin 1000g min. / signal pin
Durability	5000 cycles
Physical Requirements	
Solder Temperature	260°C ± 5°C
Immersion Period	5sec
Regulatory Approvals	
Green Procurement	RoHS REACH
Packaging	
17 connectors per tube	
48 tubes per carton	

Drawings



Germany/Headquarters

RRC power solutions GmbH
Technologiepark 1
66424 Homburg / Saar

Tel.: +49 6841 98090
Fax: +49 6841 9809280
Email: sales@rrc-ps.de
Web: www.rrc-ps.com

USA

RRC power solutions Inc.
18340 Yorba Linda Blvd.,
107-437
Yorba Linda, CA 92886

Tel.: +1 714 777 3604
Fax: +1 714 777 3658
Email: usa@rrc-ps.com
Web: www.rrc-ps.com

Hong Kong

RRC power solutions Ltd.
S-V,6/F, Valiant Industrial
Centre 2-12 Au Pui Wan Street
Fo Tan, N.T., Hong Kong

Tel.: +852 2376 0106
Fax: +852 2375 0107
Email: hkrrc@rrc-ps.cn
Web: www.rrc-ps.cn

China

RRC power solutions Ltd.
Room 1306, C Building,
Tianan International building,
Renmin South Road, Luohu
District, Shenzhen 518021

Tel.: +86 755 8374 1908
Fax: +86 755 8374 1861
Email: hkrrc@rrc-ps.cn
Web: www.rrc-ps.cn



Headquarters & Warehouse

Elektrostraat 17
NL-7483 PG Haaksbergen
The Netherlands

T: +31 (0)53 573 33 33
E: info@texim-europe.com
Homepage: www.texim-europe.com



The Netherlands

Elektrostraat 17
NL-7483 PG Haaksbergen

T: +31 (0)53 573 33 33
E: nl@texim-europe.com



Belgium

Zuiderlaan 14, box 10
B-1731 Zellik

T: +32 (0)2 462 01 00
E: belgium@texim-europe.com



UK & Ireland

St Mary's House, Church Lane
Carlton Le Moorland
Lincoln LN5 9HS

T: +44 (0)1522 789 555
E: uk@texim-europe.com



Germany - North

Bahnhofstrasse 92
D-25451 Quickborn

T: +49 (0)4106 627 07-0
E: germany@texim-europe.com



Germany - South

Martin-Kollar-Strasse 9
D-81829 München

T: +49 (0)89 436 086-0
E: muenchen@texim-europe.com



Austria

Warwitzstrasse 9
A-5020 Salzburg

T: +43 (0)662 216 026
E: austria@texim-europe.com



Nordic

Søndre Jagtvej 12
DK-2970 Hørsholm

T: +45 88 20 26 30
E: nordic@texim-europe.com



Italy

Via Matteotti 43
IT-20864 Agrate Brianza (MB)

T: +39 (0)39 9713293
E: italy@texim-europe.com