

## RRC-MC11-90-2

### Battery Mating Connector

P/N: 210520



#### Features:

- Mating connector for standard battery form factors RRC11xx
- 3.00A max. charge or discharge current to battery
- 4-pin male spring pin connector
- 2.5mm pitch
- RoHS and REACH compliant

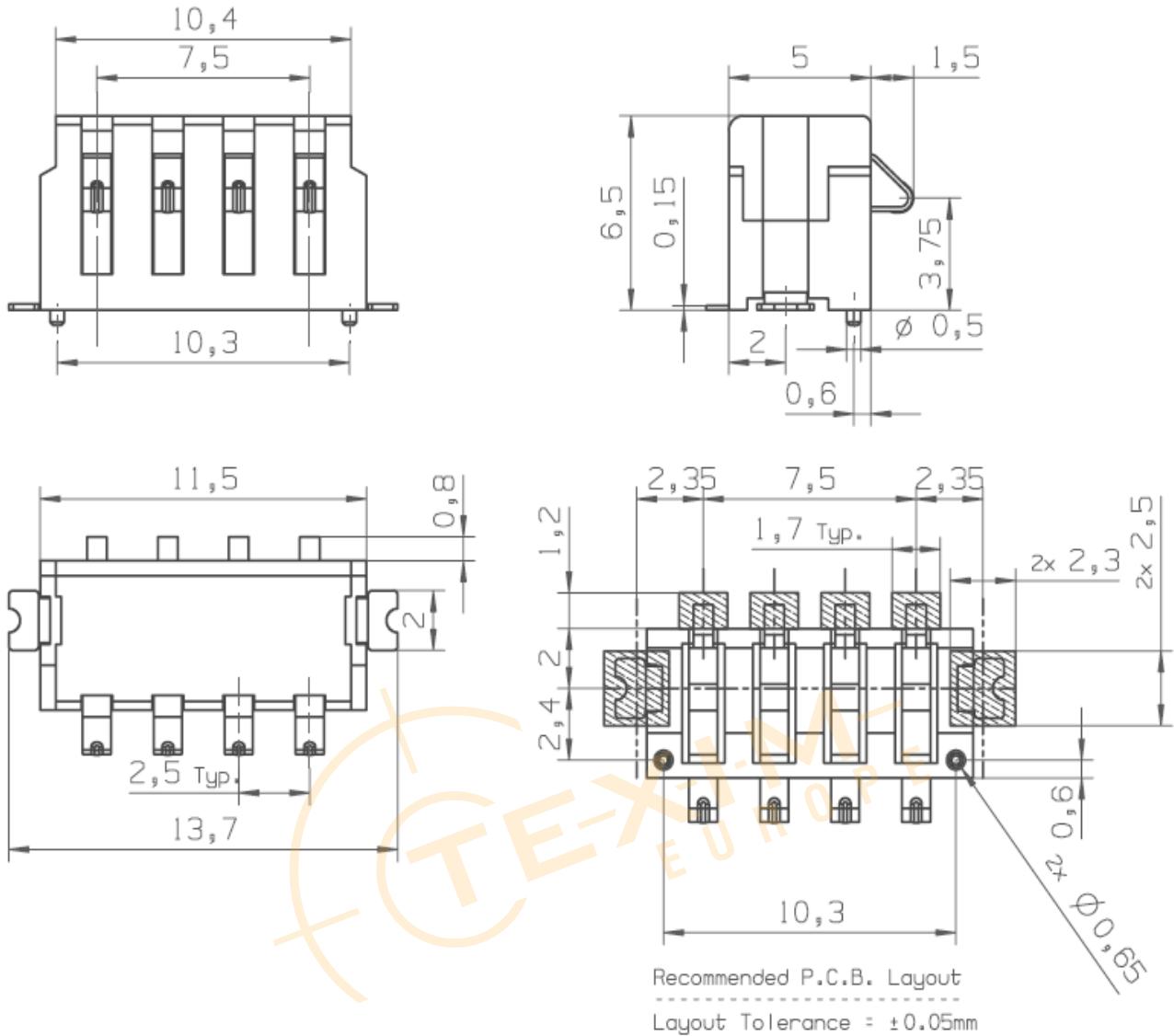
#### Applications:

Mating connector for RRC's semi smart batteries used in medical and industrial applications

## Specification

Ratings	
Current	3.00A max. / pin
Voltage	12.00VDC
Materials	
Housing	Thermoplastic High Temperature, UL 94 V-0, black
Contacts	Copper Alloy
Plating	G/F on contact area, G/F on solder tails
Environmental Condition	
Operating Temperature	-40°C to +105°C
Electrical Requirements	
Contact Resistance	40mOhm max.
Insulation Resistance	1000MOhm min. @ 500VDC / 2min
Dielectric withstand	No breakdown @ 500V RMS
Mechanical Requirements	
Dimensions (LxWxH)	11.5mm x 5.0mm x 6.5mm
Weight	<1g
PCB mounting	SMT 90°
Contact Retention Force	300gf min. / pin
Physical Requirements	
Solder Temperature	260°C ± 5°C
Immersion Period	5sec (EIA-364-56C)
Regulatory Approvals	
Green Procurement	RoHS REACH
Packaging	
700 connectors per reel	
7 reels per carton	

**Drawings**



DIMENSION IN mm			
Tolerance unless otherwise specified			
X.	± 0.30	X.°	± 10°
X.X	± 0.20	X.X°	± 5°
X.XX	± 0.15	X.XX°	± 2°

**Germany/Headquarters**

RRC power solutions GmbH  
Technologiepark 1  
66424 Homburg / Saar

Tel.: +49 6841 98090  
Fax: +49 6841 9809280  
Email: sales@rrc-ps.de  
Web: www.rrc-ps.com

**USA**

RRC power solutions Inc.  
18340 Yorba Linda Blvd.,  
# 107-437  
Yorba Linda, CA 92886

Tel.: +1 714 777 3604  
Fax: +1 714 777 3658  
Email: usa@rrc-ps.com  
Web: www.rrc-ps.com

**Hong Kong**

RRC power solutions Ltd.  
S-V,6/F, Valiant Industrial  
Centre 2-12 Au Pui Wan Street  
Fo Tan, N.T., Hong Kong

Tel.: +852 2376 0106  
Fax: +852 2375 0107  
Email: hkrrc@rrc-ps.cn  
Web: www.rrc-ps.cn

**China**

RRC power solutions Ltd.  
Room 1306, C Building,  
Tianan International building,  
Renmin South Road, Luohu  
District, Shenzhen 518021

Tel.: +86 755 8374 1908  
Fax: +86 755 8374 1861  
Email: hkrrc@rrc-ps.cn  
Web: www.rrc-ps.cn



## Headquarters & Warehouse

Elektrostraat 17  
NL-7483 PG Haaksbergen  
The Netherlands

T: +31 (0)53 573 33 33  
E: info@texim-europe.com  
Homepage: www.texim-europe.com



### The Netherlands

Elektrostraat 17  
NL-7483 PG Haaksbergen

T: +31 (0)53 573 33 33  
E: nl@texim-europe.com



### Belgium

Zuiderlaan 14, box 10  
B-1731 Zellik

T: +32 (0)2 462 01 00  
E: belgium@texim-europe.com



### UK & Ireland

St Mary's House, Church Lane  
Carlton Le Moorland  
Lincoln LN5 9HS

T: +44 (0)1522 789 555  
E: uk@texim-europe.com



### Germany - North

Bahnhofstrasse 92  
D-25451 Quickborn

T: +49 (0)4106 627 07-0  
E: germany@texim-europe.com



### Germany - South

Martin-Kollar-Strasse 9  
D-81829 München

T: +49 (0)89 436 086-0  
E: muenchen@texim-europe.com



### Austria

Warwitzstrasse 9  
A-5020 Salzburg

T: +43 (0)662 216 026  
E: austria@texim-europe.com



### Nordic

Søndre Jagtvej 12  
DK-2970 Hørsholm

T: +45 88 20 26 30  
E: nordic@texim-europe.com



### Italy

Via Matteotti 43  
IT-20864 Agrate Brianza (MB)

T: +39 (0)39 9713293  
E: italy@texim-europe.com