

CAB435RF: MMCX STRAIGHT PLUG + ISOLATED TNC BULKHEAD JACK WITH O-RING RATED TO IP67 + RG178 CABLE, 6GHz

SPECIFICATIONS :

1. MMCX STRAIGHT PLUG, P/N: RFCT-MMCX006-M78.
2. RG178 COAXIAL CABLE, COLOR: BROWN.
3. ISOLATED TNC STRAIGHT BULKHEAD JACK WITH O-RING RATED TO IP67, P/N: RFCT-TNC016-F78.

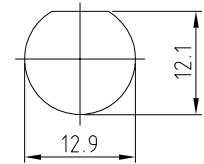
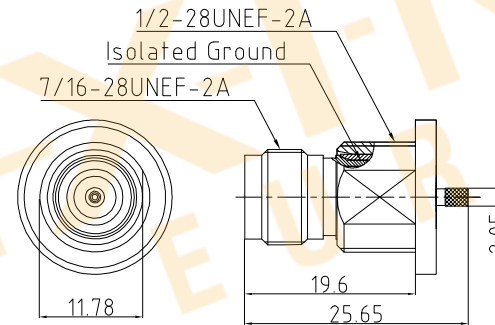
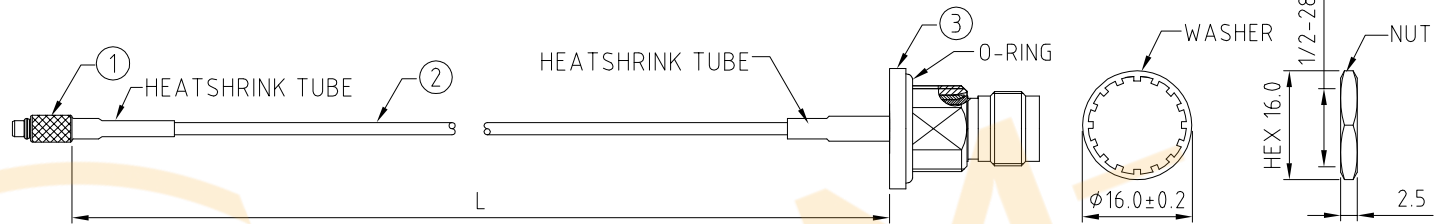
USAGE PRECAUTIONS: CABLES USING 'MICRO' COAX ARE DELICATE:  
 (i) HANDLE WITH CARE.  
 (ii) DO NOT TWIST; APPLY EXCESSIVE FORCES OR SHARP BENDS TO THE CABLE. DO NOT FORCEFULLY DEFORM WIRES.  
 (iii) CONSULT CONNECTOR MANUFACTURER'S DATASHEETS FOR DETAILED NOTES ON HANDLING INSTRUCTIONS.

ENVIRONMENTAL:

- A. BULKHEAD MOUNTED CONNECTOR (RFCT-TNC016-F78) RATED TO THE FOLLOWING SPECIFICATION:
- i. IP6X - DUST TIGHT - NO PARTICLE INGRESS.
  - ii. IPX7 WATERPROOF FOR 30 MINUTES UP TO 1 METER UNDERWATER.

NOTES:

1. WORKING FREQUENCY RANGE: DC-6GHz.
2. OPERATING TEMPERATURE: -40°C~+125°C.
3. IMPEDANCE: 50 Ohm.
4. CARE SHOULD BE TAKEN NOT TO OVERTIGHTEN THE MATING CONNECTOR. OVERTIGHTENING RISKS COMPROMISING THE IP RATING OF THE CONNECTOR.



RECOMMENDED MOUNTING HOLE  
 MAX. PANEL THICKNESS: 4MM  
 TOLERANCE: ±0.1

HOW TO ORDER

CAB435RF - X X X X - X - 1

"L" LENGTH IN MM:  
 eg: 100MM = 0100  
 (MIN. 0050-MAX.0400)  
 STANDARD = 0100, 0150, 0200)  
 TOLERANCE: 50-200mm: ±5mm.  
 201-400mm: ±7mm.

CABLE SIZE:  
 1 = RG178 CABLE, COLOR: BROWN

WASHER AND NUT OPTIONS:  
 BLANK = SEPARATELY PACKED (STANDARD)  
 A = ASSEMBLED WITH CONNECTOR



Scale: NTS	THIRD ANGLE	Unstated Tolerances: X N/A XX N/A XXX N/A ANGLES N/A
Drawn: NYW		
App'd: XXX	Title CABLE ASSEMBLY	
Date: 17 MAY '22	Revision: 1.3	Unit: mm

**NAUTILUS**  
 IP67 Rated Cables

**GRADCONN**  
 www.gradconn.com

Drawing Number: CAB435RF	
Sheet 1	of 1
Drawing	E and OE

REV. DATE & DRN  
 10. 10/09/20 - NYW RELEASE  
 11. 17/09/20 - NYW MODIFICATION  
 12. 17/05/22 - NYW REMOVE IP67 RATING  
 13. 17/05/22 - NYW ADD NOTE L.



## Headquarters & Warehouse

Elektrostraat 17  
NL-7483 PG Haaksbergen  
The Netherlands



T: +31 (0)53 573 33 33  
E: info@texim-europe.com  
Homepage: www.texim-europe.com



## The Netherlands

Elektrostraat 17  
NL-7483 PG Haaksbergen

T: +31 (0)53 573 33 33  
E: nl@texim-europe.com



## Belgium

Zuiderlaan 14, box 10  
B-1731 Zellik

T: +32 (0)2 462 01 00  
E: belgium@texim-europe.com



## UK & Ireland

St Mary's House, Church Lane  
Carlton Le Moorland  
Lincoln LN5 9HS

T: +44 (0)1522 789 555  
E: uk@texim-europe.com



## Germany - North

Bahnhofstrasse 92  
D-25451 Quickborn

T: +49 (0)4106 627 07-0  
E: germany@texim-europe.com



## Germany - South

Martin-Kollar-Strasse 9  
D-81829 München

T: +49 (0)89 436 086-0  
E: muenchen@texim-europe.com



## Austria

Warwitzstrasse 9  
A-5020 Salzburg

T: +43 (0)662 216 026  
E: austria@texim-europe.com



## Nordic

Søndre Jagtvej 12  
DK-2970 Hørsholm

T: +45 88 20 26 30  
E: nordic@texim-europe.com



## Italy

Via Matteotti 43  
IT-20864 Agrate Brianza (MB)

T: +39 (0)39 9713293  
E: italy@texim-europe.com