

CAB438RF: MMCX RIGHT ANGLE PLUG + ISOLATED TNC BULKHEAD JACK WITH O-RING RATED TO IP67 + RG178 CABLE, 6GHz

SPECIFICATIONS :

1. MMCX STRAIGHT PLUG, P/N: RFCT-MMCX003-M78.
2. RG178 COAXIAL CABLE, COLOR: BROWN.
3. ISOLATED TNC STRAIGHT BULKHEAD JACK WITH O-RING RATED TO IP67, P/N: RFCT-TNC016-F78.

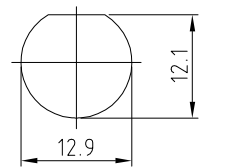
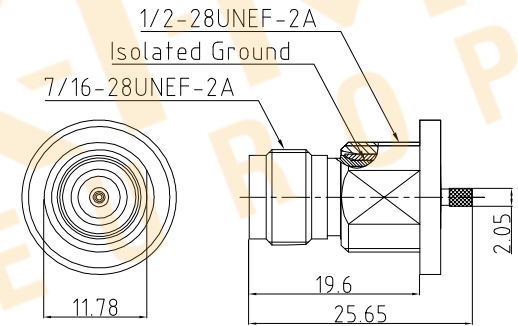
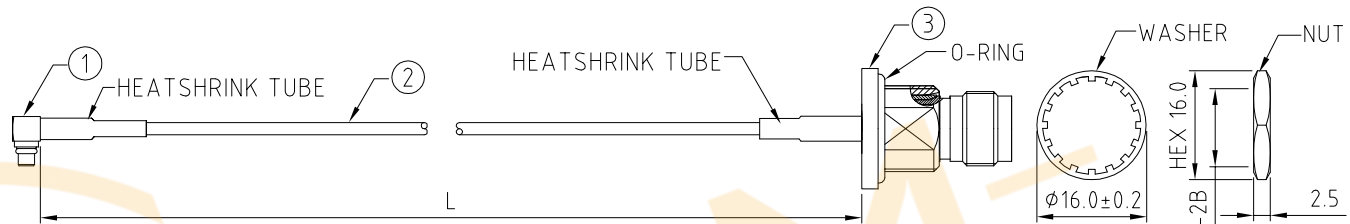
USAGE PRECAUTIONS: CABLES USING 'MICRO' COAX ARE DELICATE:
 (i) HANDLE WITH CARE.
 (ii) DO NOT TWIST; APPLY EXCESSIVE FORCES OR SHARP BENDS TO THE CABLE. DO NOT FORCEFULLY DEFORM WIRES.
 (iii) CONSULT CONNECTOR MANUFACTURER'S DATASHEETS FOR DETAILED NOTES ON HANDLING INSTRUCTIONS.

ENVIRONMENTAL:

- A. BULKHEAD MOUNTED CONNECTOR (RFCT-TNC016-F78) RATED TO THE FOLLOWING SPECIFICATION:
- i. IP6X - DUST TIGHT - NO PARTICLE INGRESS.
 - ii. IPX7 WATERPROOF FOR 30 MINUTES UP TO 1 METER UNDERWATER.

NOTES:

1. THE ORIENTATION OF CONNECTORS ON DRAWING IS FOR REFERENCE ONLY, IF THE ORDER IS LEFT BLANK THE CONNECTOR WILL NOT HAVE FIXED ORIENTATION.
2. FIXED ORIENTATION IS SUGGESTED FOR CABLE LENGTH 50MM TO 100MM. PLEASE SPECIFY THE FIXED ORIENTATIONS FROM THE ORDER CODE (F1, F2, ETC)
3. CONTACT GRADCONN IF THE ORIENTATION YOU REQUIRE IS NOT SHOWN.
4. WORKING FREQUENCY RANGE: DC-6GHz.
5. OPERATING TEMPERATURE: -40°C~+125°C.
6. IMPEDANCE: 50 Ohm.
7. CARE SHOULD BE TAKEN NOT TO OVERTIGHTEN THE MATING CONNECTOR. OVERTIGHTENING RISKS COMPROMISING THE IP RATING OF THE CONNECTOR.



RECOMMENDED MOUNTING HOLE
 MAX. PANEL THICKNESS: 4MM
 TOLERANCE: ±0.1

HOW TO ORDER

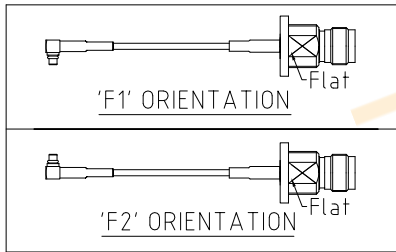
CAB438RF - X X X X - X X - X - 1

"L" LENGTH IN MM:
 eg: 100MM = 0100
 (MIN. 0050-MAX.0400)
 STANDARD = 0100, 0150, 0200)
 TOLERANCE: 50-200mm: ±5mm.
 201-400mm: ±7mm.

CABLE SIZE:
 1 = RG178 CABLE, COLOR: BROWN

WASHER AND NUT OPTIONS:
 BLANK = SEPARATELY PACKED (STANDARD)
 A = ASSEMBLED WITH CONNECTOR

ORIENTATION OPTIONS:
 BLANK = DOES NOT HAVE A FIXED ORIENTATION
 F1 = MMCX CONNECTION DOWN (L=50-200MM)
 F2 = MMCX CONNECTION UP (L=50-200MM)
 (SEE NOTES 1, 2, 3 AND DIAGRAMS FOR MORE INFORMATION)



REV. DATE & DRN

11. 16/11/20 - NYW RELEASE
12. 03/05/21 - NYW DRAWING
13. 03/05/21 - NYW DRAWING
14. 03/05/21 - NYW DRAWING
15. 03/05/21 - NYW DRAWING
16. 03/05/21 - NYW DRAWING
17. 03/05/21 - NYW DRAWING
18. 03/05/21 - NYW DRAWING
19. 03/05/21 - NYW DRAWING
20. 03/05/21 - NYW DRAWING
21. 03/05/21 - NYW DRAWING
22. 03/05/21 - NYW DRAWING
23. 03/05/21 - NYW DRAWING
24. 03/05/21 - NYW DRAWING
25. 03/05/21 - NYW DRAWING
26. 03/05/21 - NYW DRAWING
27. 03/05/21 - NYW DRAWING
28. 03/05/21 - NYW DRAWING
29. 03/05/21 - NYW DRAWING
30. 03/05/21 - NYW DRAWING



Scale: NTS	THIRD ANGLE	Unstated X XX XXX ANGLES	Tolerances: N/A N/A N/A N/A
Drawn: NYW			
App'd: XXX	Title CABLE ASSEMBLY		
Date: 17 MAY '22	Revision: 1.2	Unit: mm	



Drawing Number: CAB438RF	
Sheet 1	of 1
Drawing	E and O E



Headquarters & Warehouse

Elektrostraat 17
NL-7483 PG Haaksbergen
The Netherlands



T: +31 (0)53 573 33 33
E: info@texim-europe.com
Homepage: www.texim-europe.com



The Netherlands

Elektrostraat 17
NL-7483 PG Haaksbergen

T: +31 (0)53 573 33 33
E: nl@texim-europe.com



Belgium

Zuiderlaan 14, box 10
B-1731 Zellik

T: +32 (0)2 462 01 00
E: belgium@texim-europe.com



UK & Ireland

St Mary's House, Church Lane
Carlton Le Moorland
Lincoln LN5 9HS

T: +44 (0)1522 789 555
E: uk@texim-europe.com



Germany - North

Bahnhofstrasse 92
D-25451 Quickborn

T: +49 (0)4106 627 07-0
E: germany@texim-europe.com



Germany - South

Martin-Kollar-Strasse 9
D-81829 München

T: +49 (0)89 436 086-0
E: muenchen@texim-europe.com



Austria

Warwitzstrasse 9
A-5020 Salzburg

T: +43 (0)662 216 026
E: austria@texim-europe.com



Nordic

Søndre Jagtvej 12
DK-2970 Hørsholm

T: +45 88 20 26 30
E: nordic@texim-europe.com



Italy

Via Matteotti 43
IT-20864 Agrate Brianza (MB)

T: +39 (0)39 9713293
E: italy@texim-europe.com