

RRC-Power-Cable-3pol-EU

AC cable with EU wall plug

P/N: 210951

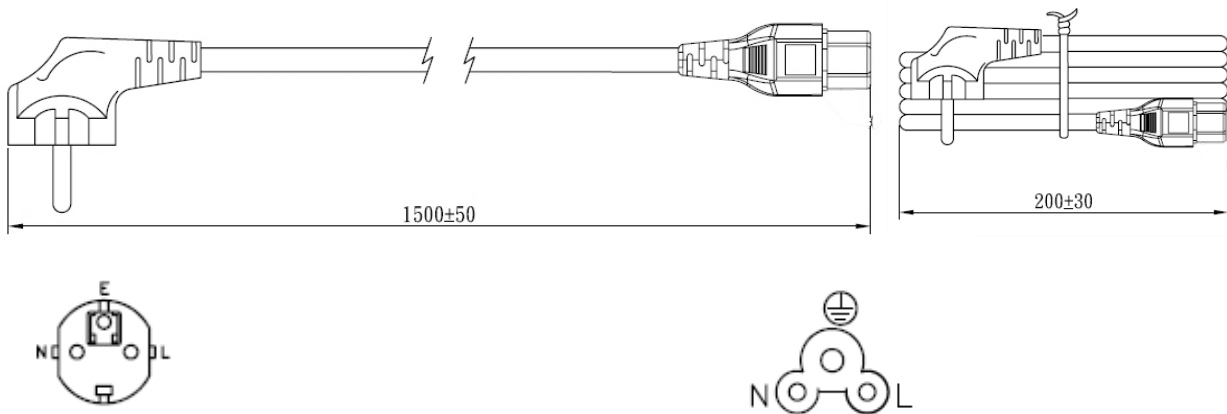


Features:

- Approved for Europe and Korea
- For the standard chargers RRC-SMB-UBC, RRC-SMB-MBC, RRC-SMB-DBC and RRC-SMB-FPC or chargers with a similar AC input or for mobile devices used in medical, industrial and consumer markets

Specification

Scope			
Power cable conforming to	IEC 60227		
	IEC 60884-1		
	IEC 60320-1		
Plug	Connector	Flexible cord	
Type	CEE 7/7 (Type E+F)	IEC 60320-1 C5	H05VV-F 3G 0.75mm ²
Rating	16.0A	2.5A	70°C
	250.00V	250.00V	300.00/500.00V
Approved	IEC 60884-1	EN 60320-1	IEC 60884-1
	VDE 0620-1	VDE 0625-1	
General			
Length	1500mm		
Colour	black		



Germany/Headquarters

RRC power solutions GmbH
Technologiepark 1
66424 Homburg / Saar

Tel.: +49 6841 98090
Fax: +49 6841 9809280
Email: sales@rrc-ps.de
Web: www.rrc-ps.com

USA

RRC power solutions Inc.
18340 Yorba Linda Blvd.,
107-437
Yorba Linda, CA 92886

Tel.: +1 714 777 3604
Fax: +1 714 777 3658
Email: usa@rrc-ps.com
Web: www.rrc-ps.com

Hong Kong

RRC power solutions Ltd.
S-V,6/F, Valiant Industrial
Centre 2-12 Au Pui Wan Street
Fo Tan, N.T., Hong Kong

Tel.: +852 2376 0106
Fax: +852 2375 0107
Email: hkrrc@rrc-ps.cn
Web: www.rrc-ps.cn

China

RRC power solutions Ltd.
Room 1306, C Building,
Tianan International building,
Renmin South Road, Luohu
District, Shenzhen 518021

Tel.: +86 755 8374 1908
Fax: +86 755 8374 1861
Email: hkrrc@rrc-ps.cn
Web: www.rrc-ps.cn