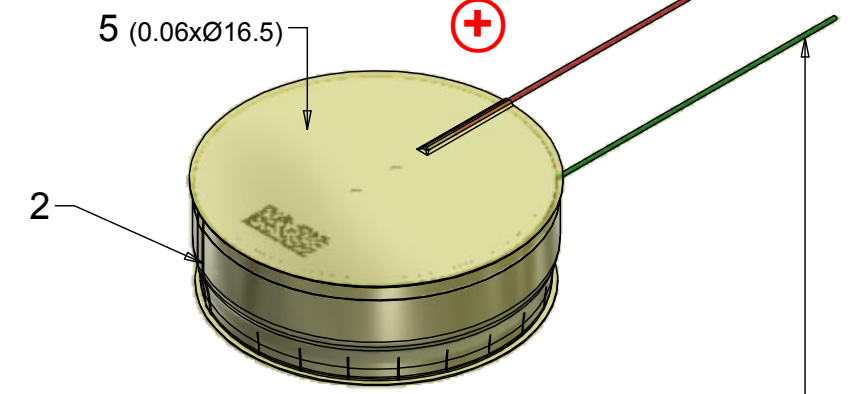
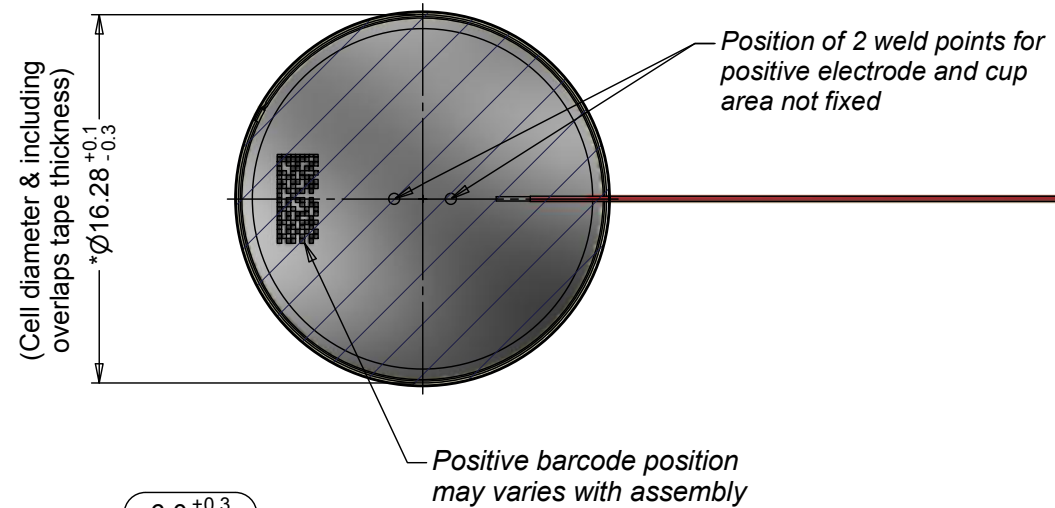
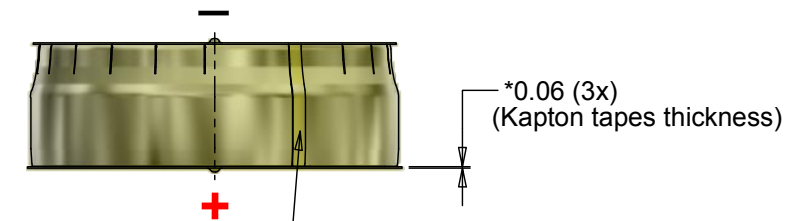


This is a controlled document.
Check on Batam-intranet or SAP system for latest update.

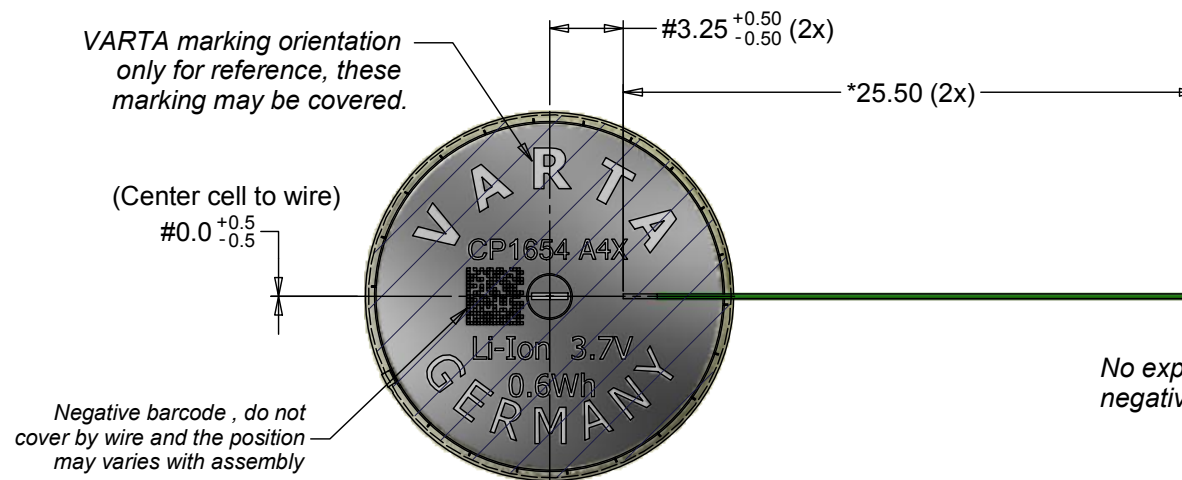
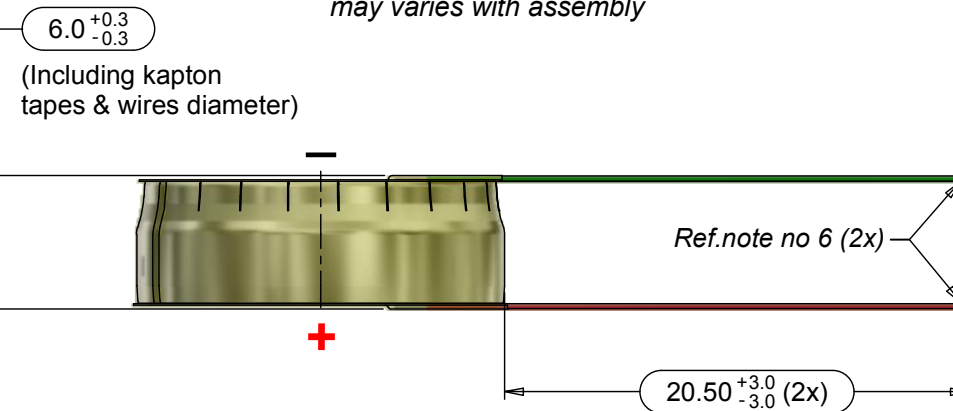
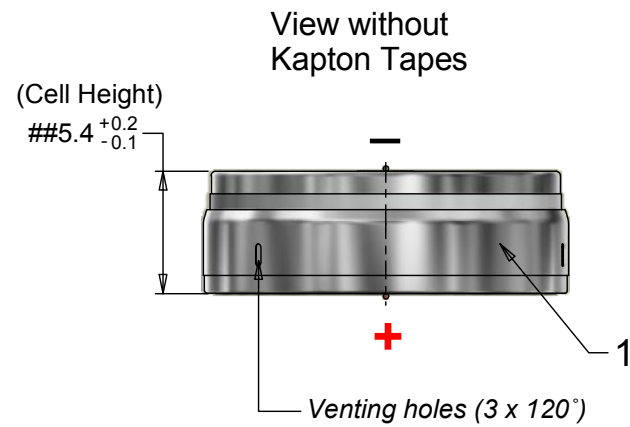
3 Solid nickel wire enameled with Polyurethane Grade 2, Ni99.6V155, dia. bare wire 0.20mm ± 1 µm, dia. coated wire 0.24mm (Red +)



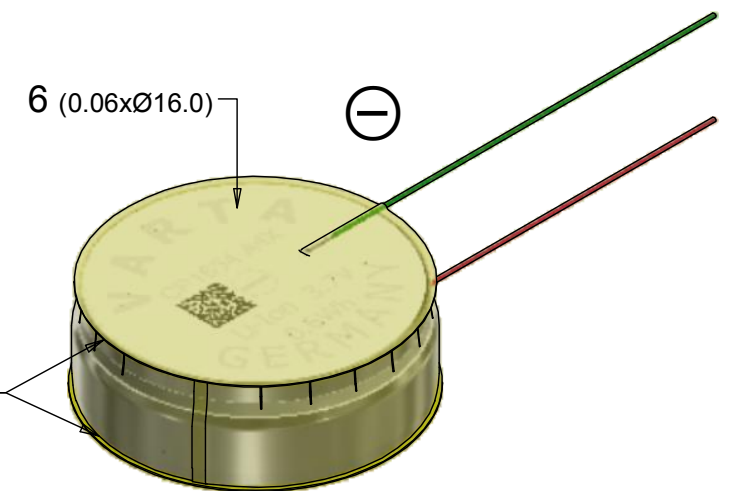
4 Solid nickel wire enameled with Polyurethane Grade 2, Ni99.6V155, dia. bare wire 0.20mm ± 1 µm, dia. coated wire 0.24mm, (Green -)



Kapton tape overlaps upto 1mm and overlaps position is not fixed



No expose allowed on positive surface and negative, cover with kapton tapes



Approx wt. : 3.1 g

- Note : 1) *Dimensions for reference only.
2) \varnothing Dimensions to be consider for measurement.
3) #Dimensions to be controlled by fixture.
4) ## Handling Precautions and Prohibitions for VARTA CoinPower Batteries.
5) BATTERY VALIDATION INCLUDING SAFETY ELECTRONICS MUST BE DONE BY CUSTOMER ACCORDING TO UL 2054.
6) Both wires (red & green) wavy due to flexible & small wire diameter, wire angle inconsistent and no insulation stripping at free end.

0	22-N022	Refer to provisional drawing #P26-00901, rev 101	2022-08-15	Jadi
No	AO No	Revision	Date	Name
Process :		Material :	Description :	
Projection :		Refer to part list no: 805425		CP1654 A4X IP W SOC 30% with enameled wires and kapton tapes
Dimension in mm		Date	Name	Dwg. No :
Tolerance : As Specified		Prepared	Jadi	805425
Scale : NTS		Checked	Ian A	4 0 0
		Approved	Sunil S	VKB Order No : 63165 201 221
<small>Rights reserved to make technical changes, as a result of further development, without notice. This drawing is the property of VARTA Microbattery and must not be copied or disclosed to a third party without the written consent of VARTA Microbattery.</small>				

