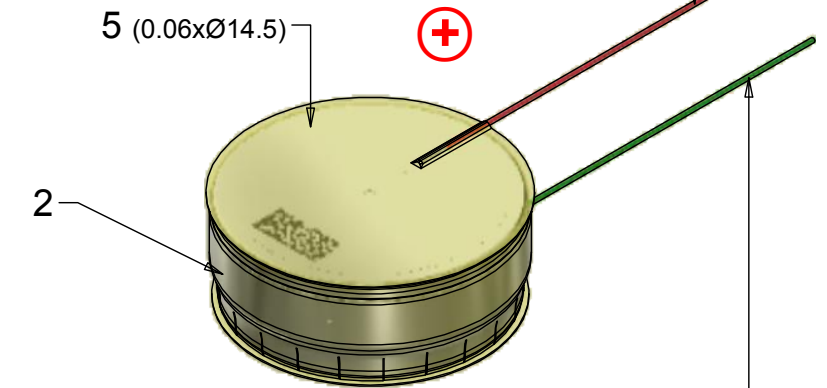
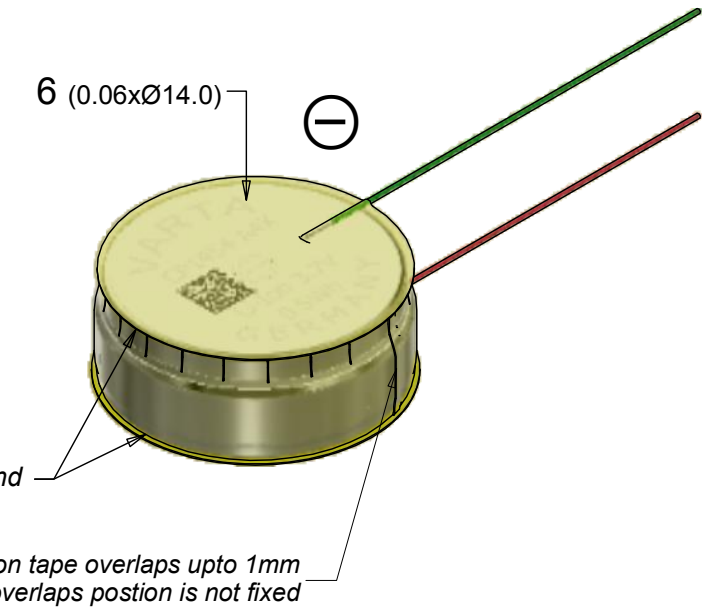
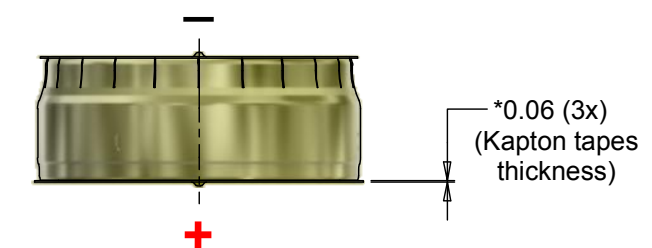


This is a controlled document.
Check on Batam-intranet or SAP system for latest update.

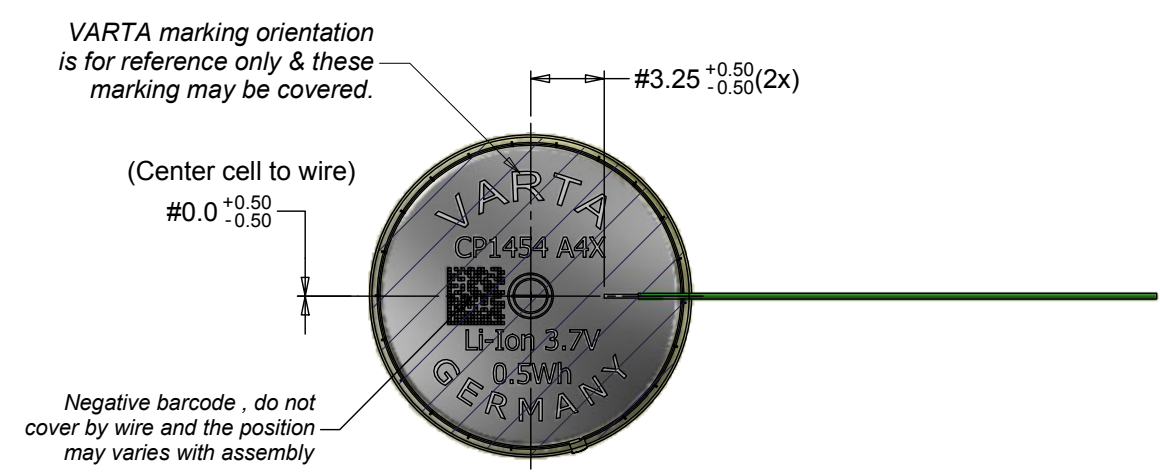
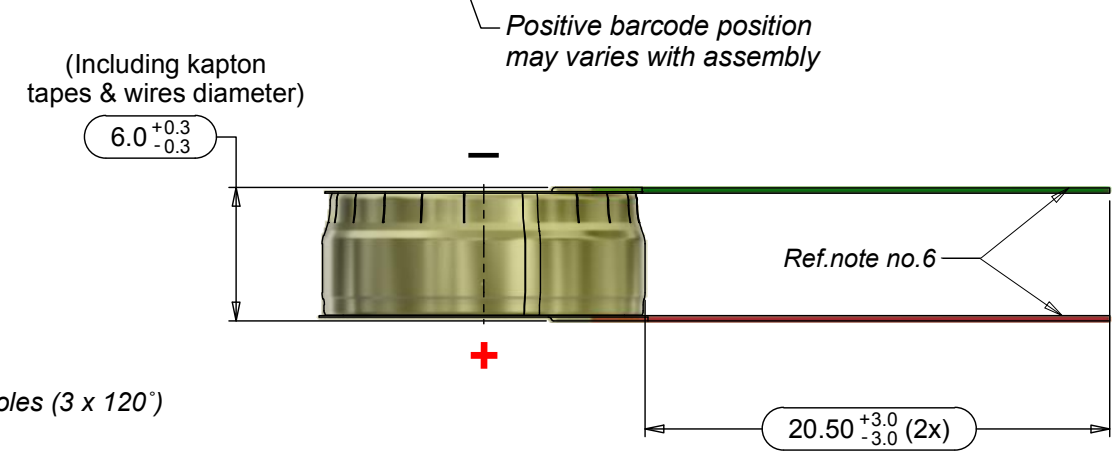
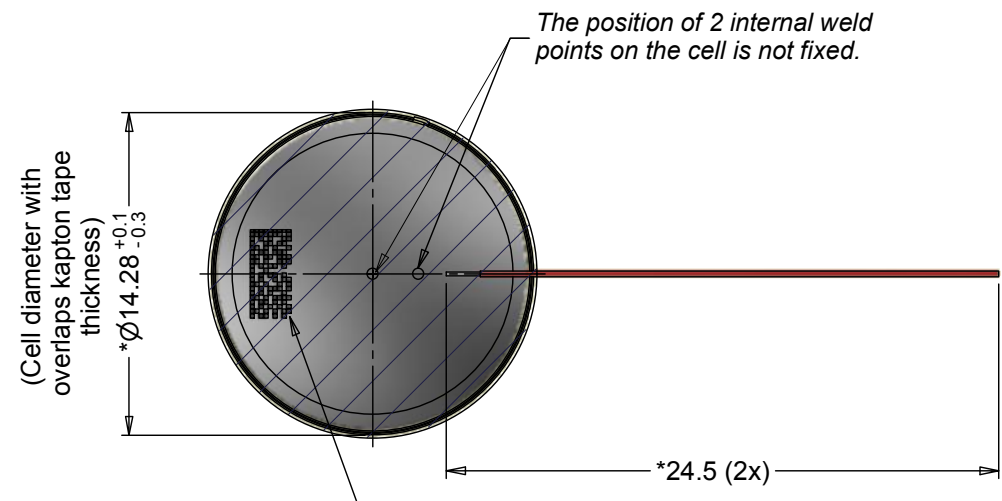
3 Solid nickel wire enameled with Polyurethane Grade 2, Ni99.6V155, dia. bare wire 0.20mm ± 1 μm, dia. coated wire Ø0.24mm, (Red +)



4 Solid nickel wire enameled with Polyurethane Grade 2, Ni99.6V155, dia. bare wire 0.20mm ± 1 μm, dia. coated wire Ø0.24mm, (Green -)



Approx wt. : 2.4 g



No expose allowed on positive surface and negative, cover with kapton tapes

- Note : 1) *Dimensions for reference only.
2) \square Dimensions to be consider for measurement.
3) #Dimension to be controlled by fixture.
4)) ## Handling Precautions and Prohibitions for VARTA CoinPower Batteries.
5) BATTERY VALIDATION INCLUDING SAFETY ELECTRONICS MUST BE DONE BY CUSTOMER ACCORDING TO UL 2054.
6) Both wires (red & green) wavy due to flexible & small wire diameter, wire angle inconsistent and no insulation stripping at free end

0	22-N020	Refer to provisional drawing P26-00900, rev 101	2022-08-16	Jadi
No	AO No	Revision	Date	Name
Process :		Material :	Description :	
Projection :		Refer to part list no: 805424	CP1454 A4X IP W SOC 30% with enameled wires and kapton tapes	
Dimension in mm		Date	Name	Dwg. No :
Tolerance : As Specified		Prepared 2022-08-16	Jadi	805424
Scale : 2 : 1		Checked 2022-08-16	Ian	4 0 0
		Approved 2022-10-06	Sunil S	VKB Order No : 63145 201 212